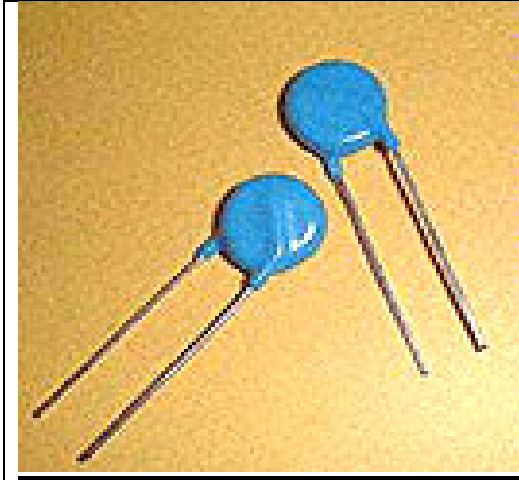
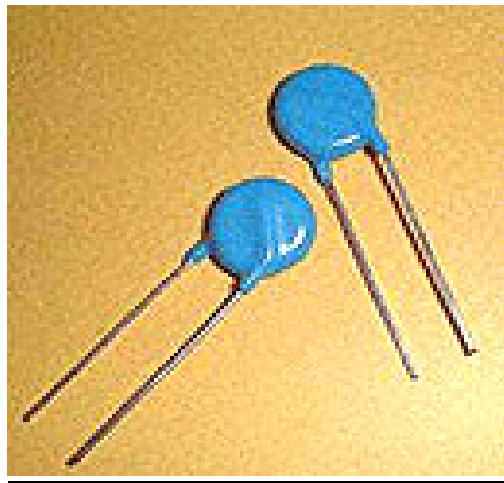
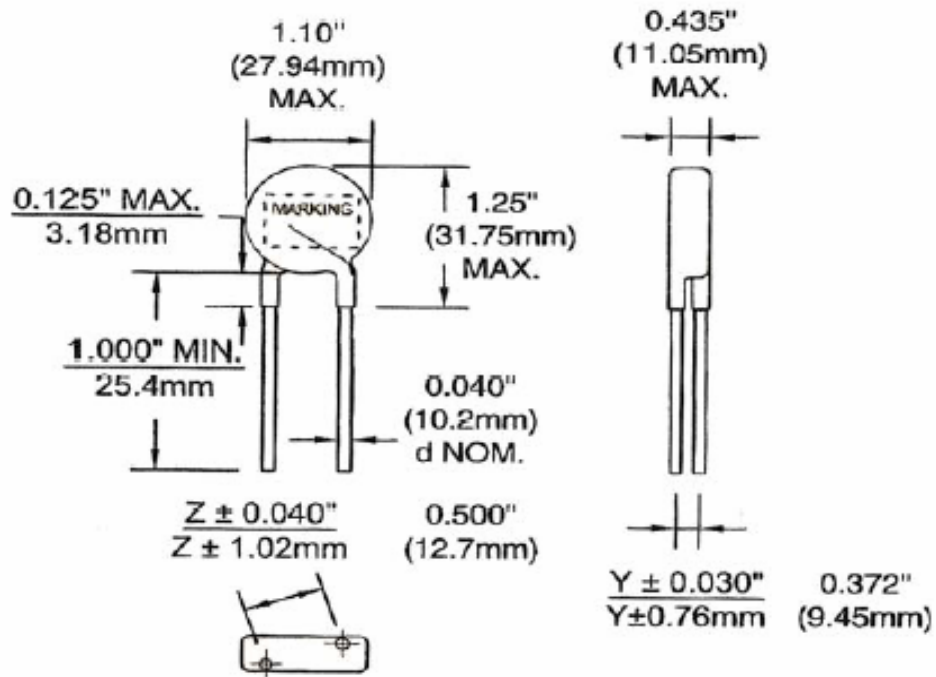


EPOXY COATING MOVS 25D
SPECIFICATION



Model Number	Maximum Allowable Voltage		Varistor Voltage V1mA (V)	Clamping Voltage (Max.)		Maximum Peak Current (8/20µs)		Maximum Energy (JOULE)		Rated Power (w)	Typical Capacitance (Reference) @1KHZ (pf)
	Acrms (V)	DC (V)		VC (V)	IP (A)	1	2	10/1000 µS	2ms		
						Time	Times				
25D201K	130	170	200(185-225)	340	150	20000	14000	190	140	1.20	3200
25D221K	140	180	220(198-242)	360	150	20000	14000	200	150	1.20	2900
25D241K	150	200	240(216-264)	395	150	20000	14000	220	160	1.20	2650
25D271K	175	225	270(243-297)	455	150	20000	14000	255	180	1.20	2400
25D301K	190	250	300(270-330)	500	150	20000	14000	275	200	1.20	2100
25D331K	210	275	330(297-363)	550	150	20000	14000	300	220	1.20	1900
25D361K	230	300	360(324-396)	595	150	20000	14000	330	240	1.20	1750
25D391K	250	320	390(351-429)	650	150	20000	14000	360	260	1.20	1600
25D431K	275	350	430(387-473)	710	150	20000	14000	380	280	1.20	1500
25D471K	300	385	470(423-517)	775	150	20000	14000	440	300	1.20	1400
25D511K	320	415	510(459-561)	845	150	20000	14000	440	300	1.20	1250
25D561K	350	460	560(504-616)	925	150	20000	14000	440	300	1.20	1150
25D621K	385	505	620(558-682)	1025	150	20000	14000	440	300	1.20	1050
25D681K	420	560	680(612-748)	1120	150	20000	14000	460	320	1.20	950
25D751K	460	615	750(675-825)	1240	150	20000	14000	510	350	1.20	850
25D781K	485	640	780(702-858)	1290	150	20000	14000	530	360	1.20	850
25D821K	510	670	820(738-902)	1355	150	20000	14000	570	380	1.20	800
25D911K	550	745	910(819-1001)	1500	150	20000	14000	620	430	1.20	700
25D102K	625	825	1000(900-1100)	1650	150	20000	14000	685	460	1.20	650
25D112K	680	895	1100(990-1210)	1815	150	20000	14000	770	500	1.20	600



Electronic Alliancewww.eaa.net.au

Part No.	T _{max.}
25D201K	5.5
25D241K	5.7
25D271K	6.0
25D361K	6.2
25D391K	6.3
25D431K	6.5
25D471K	6.8
25D511K	7.0
25D621K	7.6
25D681K	8.3
25D751K	8.5
25D781K	8.7
25D821K	9.1
25D911K	9.6
25D102K	10.5
25D112K	10.8
25D122K	11.5

Unit:mm
