

Video to RGB/Sync Converter

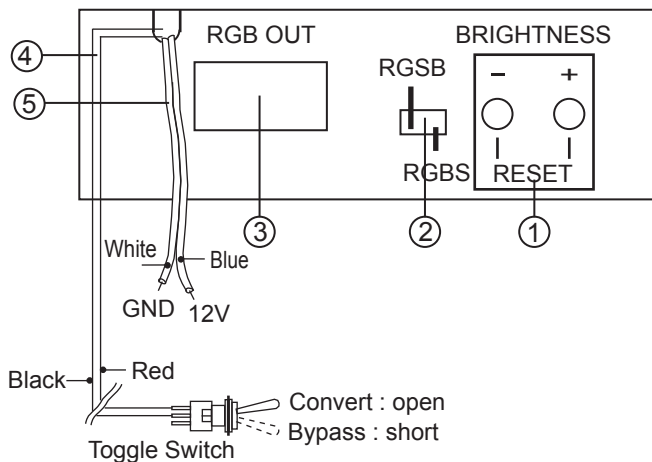
Adding video capability to your car navigation system.

Features:

1. Digital decoding and encoding ensures best conversion quality.
2. Converts NTSC/PAL /SECAM composite video to RGB/Sync or RGSB(Sync on Green).
3. Input system auto detecting.
4. RGSB input loop through.
5. Sync polarity switchable between positive and negative.
6. Output brightness adjustable.

Operation Controls and Functions:

Front Panel



- 1. + and - Buttons:** Use these two buttons to increase or decrease the brightness.
Reset: Simultaneously depressing the + and - buttons return brightness to factory default.
- 2. RGSB/RGSB Switch:** To select between RGSB(sync on Green) or RGSBs.
- 3. 9-Pin D Females connector:**
- 4. Toggle switch to switch between convert and RGB bypass.**

JP2

Output	Select
Open	Convert
Short	Bypass

RGB out: DB9 Pin configuration
Gray: PIN 1 — GND
Brown: PIN 2 — Sync of source 1
Red: PIN 3 — RED out
Yellow: PIN 4 — RED in from source 1
Green: PIN 5 — Green in from source 1
Blue: PIN 6 — Green out
Purple: PIN 7 — Blue out
Orange: PIN 8 — Blue in from source 1
Black: PIN 9 — Sync out
Source 1: Loop-through RGB/S input.
Source 2: Video input.

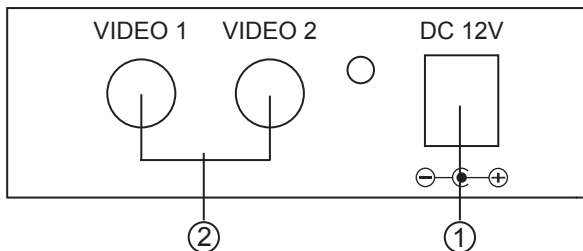
Operation Controls and Functions:

5. Control wires(12V/GND)

When this control wire is connected to 12 Volt it forces Video 2 input to be converted to RGB out, regardless the setting of toggle switch. When this control wire has no voltage applied to it (Low), the setting of the toggle switch will dictate whether Video 1 or RGB bypass will go output.

T. Switch	C.wire	
	12V	0V
Convert	V 2	V 1
Bypass	V 2	RGB Bypass

Rear Panel



1. **DC power supply input:** DC 12V center positive.

2. **Video Input:**

V 1 input: This input is converted to RGB output when the control wire (Blue/White pair) has no voltage and toggle switch is set to Convert.

V 2 input: This input is selected and converted to RGB out when the control wires is set to high (12 Volt) regardless the setting of the toggle switch.

Specifications:

Input:

Video input: 1 Vp-p 75 ohm RCA jack x 1

RGBs input: Pass through

Output:

RGB: 0.7 Vp-p 75 ohm 9-pin D Females connector.

Sync: 3 Vp-p positive or Negative polarity

Power Supply: DC 12V center positive

Dimensions: 94mm(D)x77mm(W)x30(H)mm

Accessory: One set of D-Sub 9-pin RGB bare wire and One set of 2-wire power

Weight: 0.4 Kgs

