

CP-268S

DVI/Coaxial to

HDMI Converter

Operation Manual



TABLE OF CONTENTS

1. Introduction.....	1
2. Features.....	1
3. Package Contents.....	1
4. Operation Controls and Functions.....	2
4.1 Front Panel.....	2
4.2 Rear Panel.....	2
5. Pin Configuration.....	3
6. HDMI Output Pin Assignment	3
6.1 General Specifications.....	3
6.2 Supports Resolution.....	3
7. Specifications.....	4

1. Introduction

This HDMI converter box converts DVI/Coaxial signals into HDMI output. It enables us to connect DVI and digital audio sources to an HDMI display. This device also amplifies and equalizes incoming TMDS data before re-transmitting it in optimal quality regardless of its original signal quality.

2. Features

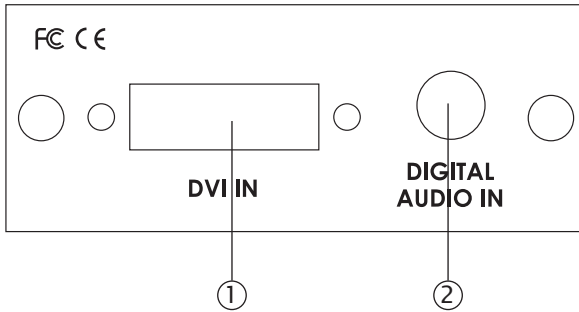
1. HDMI 1.2, HDCP 1.1 and DVI 1.0 compliant.
2. Supports DVI/Coaxial input and HDMI output.
3. Automatic detection of input format: Digital RGB or YPbPr.
4. Coaxial inputs support LPCM 2CH, Dolby Digital 5.1CH and DTS 5.1CH digital audio.
5. Fully HDCP compliant.
6. Operational Frequency of: 165MHz
7. Frequency Bandwidth of: 1.65Gbps (single link).
8. Supported audio sampling frequencies include: 32, 44.1 and 48kHz.
9. Supports high resolution input/output:
PC: VGA@60/72/75/85Hz, SVGA@60/72/75/85Hz,
XGA@60/70/75/85Hz, SXGA@60/75/85Hz, UXGA@60Hz.
SD/HD: 480i/p@60Hz, 576i/p@50Hz, 720p@50/60Hz, 1080i@50/60Hz
and 1080p@24/50/60Hz.
10. Easy to install and operate.

3. Package Contents

1. DVI/Coaxial to HDMI Converter
2. 5V DC power supply adaptor
3. Operation Manual

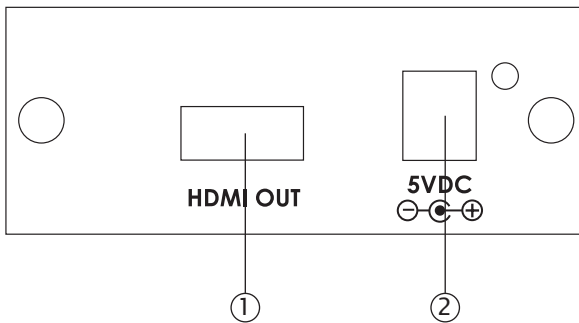
4. Operation Controls and Functions

4.1. Front Panel



- ① DVI input: Connect the DVI input port to the DVI output port of your source device such as a DVD/ Blu Ray player or set-top-box. This Converter only supports a DVI-D signal via a DVI-I connector.
- ② Coaxial input: Connect the Coaxial input port to the audio output of your digital audio device.

4.2 Rear Panel

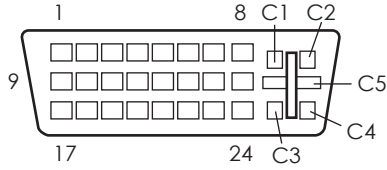


- ① HDMI output: Connect the HDMI output port to the HDMI input port of your HDMI display.
- ② Power: Plug the 5VDC power supply into the unit and connect the adaptor to an AC outlet.

5. Pin Configuration

A. DVI-D Input Pin Assignment

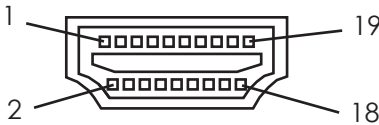
DVI-Digital(DVI-D): Supports digital-only connections between the host computer and display. This interface is designed for a 12 or 24-pin connection to enable single or dual-link mode activation.



Digital only connector pin assignments

Pin	Signal Assignment	Pin	Signal Assignment	Pin	Signal Assignment
1	T.M.D.S Data2-	9	T.M.D.S Data1-	17	T.M.D.S Data0-
2	T.M.D.S. Data2+	10	T.M.D.S. Data1+	18	T.M.D.S. Data0+
3	T.M.D.S. Data2 Shield	11	T.M.D.S. Data1 Shield	19	T.M.D.S. Data0 Shield
4	N.C.	12	N.C.	20	N.C.
5	N.C.	13	N.C.	21	N.C.
6	DDC Clock	14	+5V Power	22	T.M.D.S. Clock Shield
7	DDC Data	15	Ground (for +5V)	23	T.M.D.S. Clock+
8	No Connect	16	Hot Plug Detect	24	T.M.D.S. Clock-
C1	N.C.	C2	N.C.	C3	N.C.
C4	N.C.	C5	N.C.		

6. HDMI Output Pin Assignment



Pin#	Function Assignment	Pin#	Function Assignment
1	TMDS Data2+	2	TMDS Data2 Shield
3	TMDS Data2-	4	TMDS Data1+
5	TMDS Data1 Shield	6	TMDS Data1-
7	TMDS Data0+	8	TMDS Data0 Shield
9	TMDS Data0-	10	TMDS Clock+
11	TMDS Clock Shield	12	TMDS Clock-
13	CEC	14	Reserved (N.C. on device)
15	SCL	16	SDA
17	DDC/CEC Ground	18	+5V Power
19	Hot Plug Detect		

7. Specifications

Input ports	1 x DVI (only DVI-D supported) , 1 x Coaxial (S/PDIF)
Output port	1 x HDMI
Power Supply	5V/1A DC (US/EU standards, CE/FCC/UL certified)
Dimensions (mm)	105(W) x 76(D) x 30(H)
Weight(g)	188
Chassis Material	Aluminum
Silkscreen Color	Silver
Operating Temperature	0°C ~ 40°C



CYPRESS TECHNOLOGY CO., LTD.

Home page: <http://www.cypress.com.tw>

20080324 MPM-CP268S