

CPLUS-V4H2HA

UHD+ 4x2 HDMI Matrix with Audio Output



This 4K60 4 by 2 Matrix provides the ability to connect up to four 4K60 HDMI sources to up to two 4K60 HDMI displays and freely switch between them. This unit comes with full support for 4K@60Hz (4:4:4, 8-bit) as well as support for 16-bit Deep Color, HDR (High Dynamic Range), 3D content, HD audio and other features defined by HDMI 2.0 specification. Pre-defined internal EDIDs and external EDIDs option are available for EDID managing. The matrix also supports auto source switch and display control for power on/off the connected devices by sending CEC or RS-232 commands. Control is provided via front-panel buttons, RS-232, and IR remote.

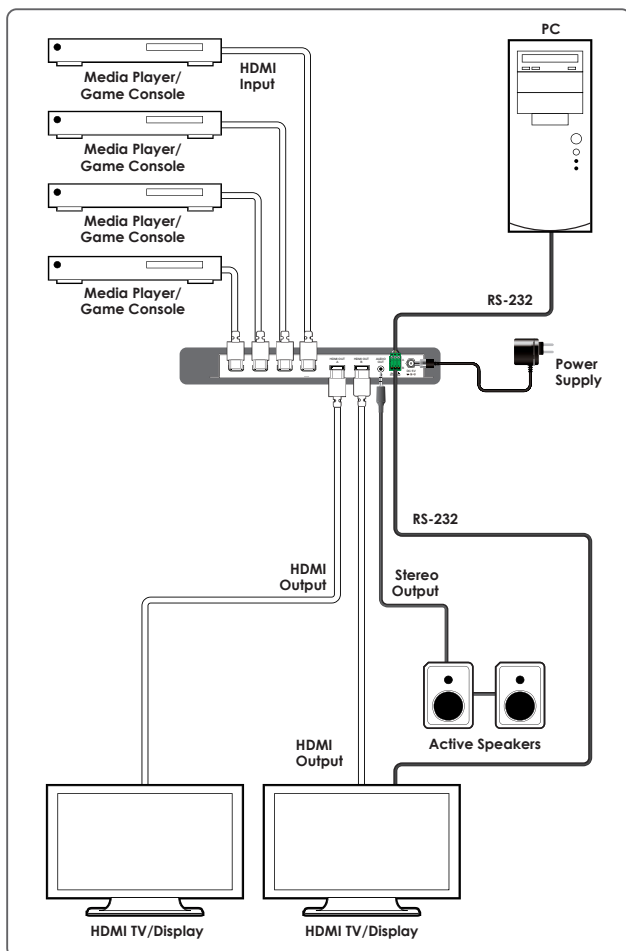
PANELS



Front View

Rear View

DIAGRAM



FEATURES

- 4 HDMI inputs and 2 HDMI outputs
- Supports UHD+ resolutions up to 4096x2160@60Hz (YUV 4:4:4, 8 bit)
- Supports 16-bit Deep Color up to 1080@60Hz
- Supports pass-through of audio formats including LPCM 2.0/5.1/7.1, Bitstream, and HD Bitstream
- Support internal EDIDs and external EDIDs options .
- Support Auto Source Switch
- Basic signal event automation via RS-232 or CEC.

SPECIFICATIONS

Interfaces

Input Port 4 HDMI

Output Port 2 HDMI
1 Stereo

Service Port 1 USB

Video

HDMI Compliance HDMI 2.0 (DVI 1.0)

HDCP Compliance 2.2

Input Signal Types 4K@60 8-bit YUV 4:4:4,HDR 10

Output Signal Types 4K@60 8-bit YUV 4:4:4,HDR 10

Resolutions

Maximum Input HDMI 4096x2160p@60

Maximum Output HDMI 4096x2160p@60

Audio

Input Signal Types HDMI

Output Signal Types HDMI, Unbalanced Stereo

Digital Formats HDMI 7.1 CH LPCM, Bitstream, HD Bitstream

Power

Power Supply 5V/2.6A

Power Consumption 8.62W

Enclosure

Chassis Material Metal (Steel)

Chassis Color Black

Dimensions (W×H×D) 231.5mm×25mm×108mm [Case Only]
231.5mm×25mm×117mm [All Inclusive]

Weight 620g

Field Firmware Update

Micro-USB to PC

ORDERING INFORMATION

Model No. Product Description

CPLUS-V4H2HA UHD+ 4x2 HDMI Matrix with Audio Output