

GV-MFD520 5MP H.264 Mini Fixed Dome



- 5 Megapixel Progressive Scan CMOS
- Dual streams from H.264 and MJPEG
- Up to 10 fps at 2560 x 1920
- Day and night function (electronic)
- Built-in microphone
- Built-in micro SD card slot (SD/SDHC) for local storage
- Active Tampering alarm
- Wide Dynamic Range (WDR)
- 2D noise reduction
- Defog
- Motion detection
- Privacy mask
- IP address filtering
- iPhone, iPad, Android
- PoE (Power over Ethernet)
- Megapixel lens
- Supports iPhone, iPad, Android & 3GPP
- 31 languages on Web interface
- ONVIF (Profile S) conformant

* No Memory card slot & local storage function for Argentina.

Active Tampering Alarm

Tampered



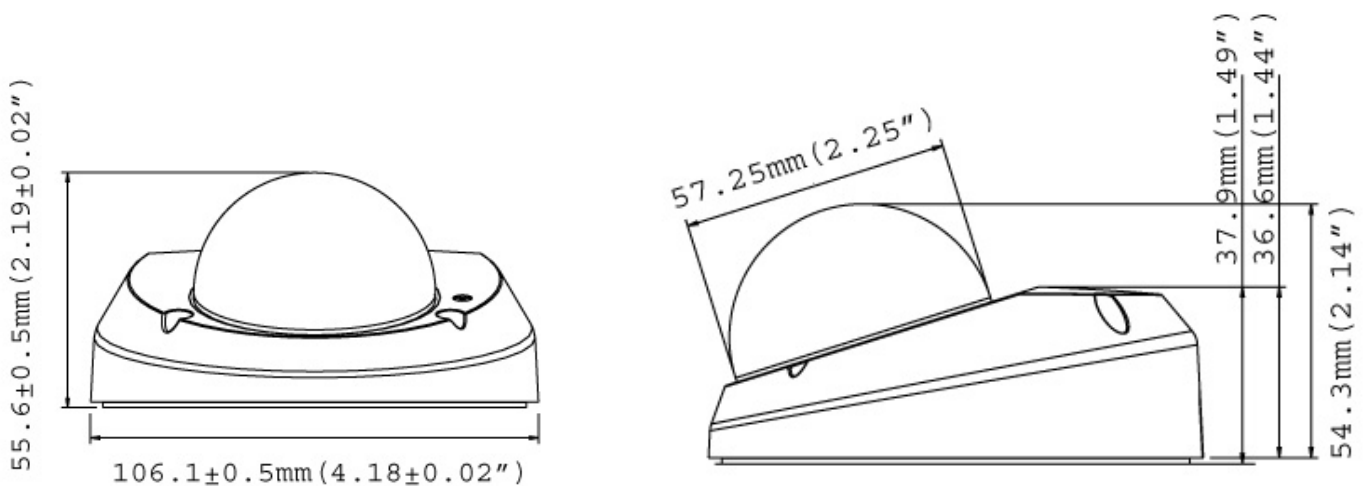
Focus Change



Camera Shift



Dimensions



Specifications

Camera		
Image Sensor		1/2.5" progressive scan CMOS
Picture Elements		2560 (H) x 1920 (V)
Minimum Illumination	Color	0.15 Lux
	B/W	0.10 Lux
Shutter Speed		Automatic, Manual (1/5 ~ 1/8000 sec.)
White Balance		Automatic, Manual (2800K ~ 8500K)
Gain Control		Automatic
S/N Ratio		45 dB
BLC		Yes
Lens		
Megapixel		Yes
Day/Night		Yes (electronic)
Iris		Fixed
Focal Length		2.54 mm
Maximum Aperture		F/2.8
Mount		M12, Pitch 0.5 mm
Image Format		1/2.5"
Horizontal FOV		138°
Operation	Focus	Fixed
	Zoom	Fixed
	Iris	Fixed
Operation		
Video Compression		H.264, MJPEG
Video Stream		Dual streams from H.264 and MJPEG
Frame Rate		10 fps at 2560 x 1920 * The frame rate and the performance may vary depending on the number of connections and data bitrates (different scenes).
Image Setting		Brightness, Contrast, Sharpness, Gamma, White Balance, Flicker-less 50/60 Hz, Image Orientation, Shutter Speed, Backlight Compensation, WDR Defog, Denoise, Metering
Audio Compression		G.711, AAC (optional)
Audio Support		One-Way Audio
Sensor Input		No
Alarm Output		No
Video Resolution		
Main Stream	4:3	2560 x 1920, 2048 x 1536, 1600 x 1200, 1280 x 960, 640 x 480, 320 x 240
	16:9	1920 x 1080, 1280 x 720, 640 x 360, 448 x 252
	5:4	1280 x 1024, 640 x 512, 320 x 256
Sub Stream	4:3	640 x 480, 320 x 240
	16:9	640 x 360, 448 x 252
	5:4	640 x 512, 320 x 256
Network		
Interface		10/100 Ethernet
Ethernet Protocol		HTTP, HTTPS, TCP, UDP, SMTP, FTP, DHCP, NTP, UPnP, DynDNS, 3GPP/ISMA, RTSP, PSIA, SNMP, QoS (DSCP), ONVIF (Profile S)
Mechanical		
Temperature Detector		Yes
Camera Angle Adjustment	Pan	-45° ~ 45°
	Tilt	0° ~ 90°
Connectors	Power	2-pin terminal block, PoE
	Ethernet	Ethernet (10/100 Base-T), RJ-45
	Audio	Built-in microphone
	Digital I/O	No
	Auto Iris	No
	Local Storage	Micro SD card slot (SD/SDHC, SD version 2.0 only, Class 10) * SDXC and UHS-I card types are not supported.
	TV-Out	No

LED Indicator	4 LEDs: Link, ACT, Power, Status	
General		
Environment Temperature	0 °C ~ 50 °C (32 °F ~ 122 °F)	
Humidity	10% to 90% (no condensation)	
Power Source	12V DC / PoE (IEEE802.3af)	
Max. Power Consumption	6 W	
Dimensions	Camera Body	ø 106 x 55.6 mm (4.2 x 2.2")
	Cable Length	1 m (3.28 ft.)
	Cable Diameter	ø 8 mm (0.31")
	Maximum Connector Diameter	ø 28.5 mm (1.12")
Weight	280 g (0.62 lb)	
Regulatory	CE, FCC, RCM, RoHS compliant	
Power over Ethernet		
PoE Standard	IEEE 802.3af Power over Ethernet / PSE	
PoE Power Supply Type	End-Span	
PoE Power Output	Per Port 48V DC, 350mA. Max. 15.4 watts	
Web Interface		
Installation Management	Web-based configuration	
Maintenance	Firmware upgrade through Web Browser or Utility	
Access from Web Browser	Camera Live View, Video Recording, Change Video Quality, Bandwidth Control, Image Snapshot, Audio, Picture in Picture, Picture and Picture, Privacy Mask, Text Overlay, Digital PTZ	
Language	Arabic / Bulgarian / Czech / Danish / Dutch / English / Finnish / French / German / Greek / Hebrew / Hungarian / Indonesian / Italian / Japanese / Lithuanian / Norwegian / Persian / Polish / Portuguese / Romanian / Russian / Serbian / Simplified Chinese / Slovakian / Slovenian / Spanish / Swedish / Thai / Traditional Chinese / Turkish	
Applications		
Network Storage	GV-NVR, GV-System, GV-Backup Center, GV-Recording Server	
Smart Device Access	GV-Eye for iOS and Android	
Live Viewing	IE , mobile phone	
CMS Server support	GV-Control Center, GV-Center V2, GV-VSM	

Note:

1. Specifications are subject to change without notice.
2. Mind the following when using an inserted memory card for recording:
 - Recorded data on the memory card can be damaged or lost if the data are accessed while the camera is under physical shock, power interruption, memory card detachment or when the memory card reaches the end of its lifespan. No guarantee is provided for such causes.
 - To avoid power outage, it is highly suggested to apply a battery backup (UPS).
 - For better performance, it is highly suggested to use Micro SD card of MLC NAND flash, Class 10.
 - Replace the memory card when its read/write speed is lower than 6 MB/s or when the memory card is frequently undetected by the camera.

Packing List

- | | |
|---------------------------|-------------------------------------|
| 1. Mini Fixed Dome | 7. Power Adapter |
| 2. Torx Wrench | 8. GV-IPCAM H.264 Quick Start Guide |
| 3. Self Tapping Screw x 2 | 9. GV-IPCAM H.264 Software CD |
| 4. Screw Anchor x 2 | 10. GV-NVR Quick Start Guide |
| 5. Cable stopper x 1 | 11. GV-NVR Software DVD |
| 6. 2-pin terminal block | |

Note: The power adapter can be excluded upon request.

Accessories

Model No./Name	Details
GV-Mount900 Wall Mount Bracket 	Dimensions: 154 x 108 x 50 mm (6.1" x 4.3" x 2") Weight: 240 g (0.53 lb)
GV-Mount909 Wall Mount Bracket 	Dimensions: 170 x 150 x 110 mm (6.7" x 5.9" x 4.3") Weight: 610 g (1.34 lb)
GV-Mount910 Power Box Mount Bracket 	Dimensions: 112 x 98 x 7.5 mm (4.4" x 3.9" x 0.3") Weight: 105 g (0.23 lb)
GV-Mount913 Power Box Mount Bracket 	Dimensions: \varnothing 146 x 7.5 mm (\varnothing 5.7" x 0.3") Weight: 180 g (0.4 lb)
GV-PA191 PoE Adapter 	Weight: 130 g (0.29 lb) Dimensions (H x W x D): 43 x 69 x 40 mm (1.69" x 2.72" x 1.57")
Power Adapter	Power adapters are available in 4 regions: U.S.A., Australia, U.K and Europe.
GV-POE Switch	The GV-POE Switch is designed to provide power along with network connection for IP devices. The GV-POE Switch is available in various models with different numbers and types of ports.