

GV-UBL3411 3MP H.264 3x zoom WDR Pro IR Ultra Bullet IP Camera



- 3 megapixel progressive scan CMOS
 - Dual streams from H.264 and MJPEG
 - Up to 20 fps at 2048 x 1536
 - Intelligent IR
 - Day and Night function (with removable IR-cut filter)
 - Motorized varifocal lens for remote focus/zoom adjustment
 - Wide Dynamic Range Pro (WDR Pro)
 - 2D noise reduction
 - Defog
 - Vandal resistance (IK10 for metal casing)
 - Ingress protection (IP67)
 - One alarm input and sensor output
 - Built-in micro SD card slot (SD/SDHC) for local storage
 - [NAS Recording](#)
 - Recording assigned by GV-Edge Recording Manager ([Windows](#), [Mac](#) version)
 - Motion detection
 - Tampering alarm
 - Visual automation
 - Text overlay
 - Privacy mask
 - IP address filtering
 - DC 5V / PoE (IEEE 802.3af)
 - Megapixel lens
 - Supports iPhone, iPad, Android & 3GPP
 - 31 languages on Web interface
 - ONVIF (Profile S) conformant
- * No memory card slot & local storage function for Argentina.
- * For optimal performance and compatibility, it is highly recommended to use a GV-NAS System.

Introduction

The Ultra Bullet Camera is a light-weighted cameras designed for outdoor environments. It adheres to the IP67 standard and has full protection against dust and jets of water. The camera takes the advantage of its motorized focus/zoom in that the user can remotely adjust the focus and zoom through the Web interface.

Active Tampering Alarm

Tampered



Focus Change

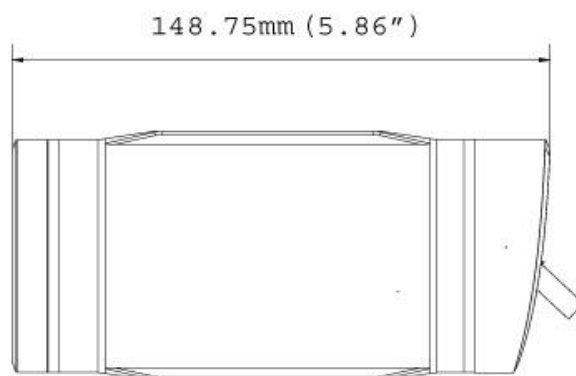
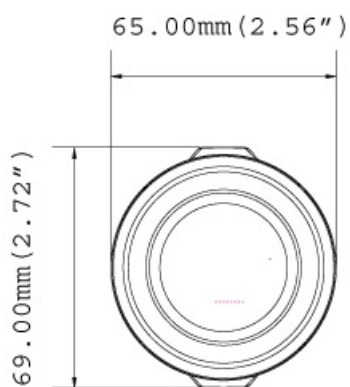


Camera Shift



Overview

• Dimensions

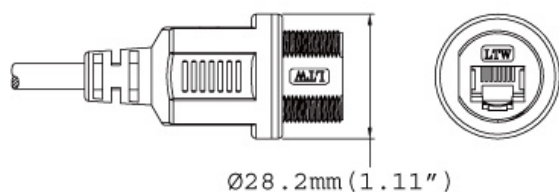


• Panel

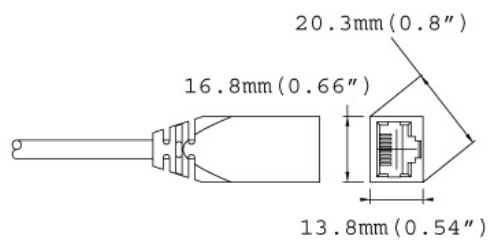


• LAN Connector

Option 1 (Waterproof)



Option 2 (Smaller and non-waterproof)



Specifications

Camera		
Image Sensor	1/3.2" progressive scan CMOS "	
Picture Elements	2048 (H) x 1536 (V)	
Minimum Illumination	Color	0.08 Lux
	B/W	0.05 Lux
	IR ON	0 Lux
Shutter Speed	Automatic, Manual (1/5 ~ 1/8000 sec)	
White Balance	Automatic, Manual (2800K ~ 8500K)	
Gain Control	Automatic	
S/N Ratio	47 dB	
BLC	Yes	
WDR Pro	Yes (with WDR sensor)	
Lens		
Megapixel	Yes	
Focal Length	3 ~ 9 mm	
Day/Night	Yes (with removable IR-cut filter)	
Lens Type	Motorized varifocal lens	
Maximum Aperture	F/1.2	
Mount	Ø 14 mm	
Image Format	1/2.7"	
Horizontal FOV	86°~31°	
Operation	Focus	Auto Focus
	Zoom	3X Optical Zoom
	Iris	DC Drive
IR LED Quantity	4 IR LEDs	
Max. IR Distance	10 m (32.81 ft.)	
Operation		
Video Compression	H.264, MJPEG	
Video Stream	Dual streams from H.264 and MJPEG	
Frame Rate	20 fps at 2048 x 1536 *The frame rate and the performance may vary depending on the number of connections and data bitrates (different scenes).	
Image Setting	Brightness, Contrast, Sharpness, Gamma, White Balance, Flicker-less, Image Orientation, Backlight Compensation, Zoom, Focus Change, Shutter Speed, D/N Sensitivity, WDR, Defog, Denoise, Metering	
Audio Support	No	
Sensor Input	1 Input (Dry Contact)	
Alarm Output	1 Output (200mA 5V DC)	
Video Resolution		
Main Stream	4 : 3	2048 x 1536, 1600 x 1200, 1280 x 960, 640 x 480, 320 x 240
	16 : 9	1920 x 1080, 1280 x 720, 640 x 360, 448 x 252
	5 : 4	1280 x 1024, 640 x 512, 320 x 256
Sub Stream	4 : 3	640 x 480, 320 x 240
	16 : 9	640 x 360, 448 x 252
	5 : 4	640 x 512, 320 x 256
Network		
Interface	10/100 Ethernet	
Protocol	HTTP, HTTPS, TCP, UDP, SMTP, FTP, DHCP, NTP, UPnP, DynDNS, 3GPP/ISMA, RTSP, PSIA, SNMP, QoS (DSCP), ONVIF (Profile S)	
Mechanical		
Temperature Detector	Yes	
Connectors	Power	2-pin terminal block, PoE
	Ethernet	Ethernet (10/100 Base-T), RJ-45 cable Two types of models for selection: Waterproof or Non-Waterproof with smaller size
	Digital I/O	I/O Wire
	Local Storage	Micro SD card slot (SD/SDHC, SD version 2.0 only, Class 10) * SDXC and UHS-I card types are not supported.
General		
Environment Temperature	Start-up	-10°C ~ 45°C (14°F ~ 113°F)
	Operation	
Humidity	10% to 90% (no condensation)	

Power Source	5V DC / PoE (IEEE 802.3af)
Max. Power Consumption	6.94 W
Dimensions	148.75 x 65 x 69 mm (5.86" x 2.56" x 2.72")
Weight	850 g (1.9 lb)
Ingress Protection	IP67
Vandal Resistance	IK10 for metal casing
Regulatory	CE, FCC, RCM, RoHS compliant
Power over Ethernet	
PoE Standard	PoE (IEEE 802.3af Power over Ethernet / PD)
PoE Power Supply Type	End-Span
PoE Power Output	Per Port 48V DC, 350mA. Max. 15.4 watts
Web Interface	
Installation Management	Web-based configuration
Maintenance	Firmware upgrade through Web Browser or Utility
Access from Web Browser	Camera Live View, Video Recording, Change Video Quality, Bandwidth Control, Image Snapshot, Digital I/O Control, Picture in Picture, Picture and Picture, Privacy Mask, Visual Automation, Tampering Alarm, Text Overlay, Digital PTZ
Language	Arabic / Bulgarian / Czech / Danish / Dutch / English / Finnish / French / German / Greek / Hebrew / Hungarian / Indonesian / Italian / Japanese / Lithuanian / Norwegian / Persian / Polish / Portuguese / Romanian / Russian / Serbian / Simplified Chinese / Slovakian / Slovenian / Spanish / Swedish / Thai / Traditional Chinese / Turkish
Application	
Network Storage	GV-System (GV-DVR/NVR), GV-Backup Center, GV-Recording Server, GV-VMS
Smart Device Access	GV-Eye for iOS and Android
Live Viewing	IE, mobile phone
CMS Server support	GV-Control Center, GV-Center V2, GV-Vital Sign Monitor

Note:



- The signal range and data throughput may vary depending on the network conditions and environmental factors.
- Specifications are subject to change without notice.
- Mind the following when using an inserted memory card for recording:
 - Recorded data on the memory card can be damaged or lost if the data are accessed while the camera is under physical shock, power interruption, memory card detachment or when the memory card reaches the end of its lifespan. No guarantee is provided for such causes.
 - The stored data can be lost if the memory card is not accessed for a long period of time. Back up your data periodically if you seldom access the memory card.
 - Memory cards are expendable and their durability varies according to the conditions of the installed site and how they are used. Back up your data regularly and replace the memory card annually.
 - To avoid power outage, it is highly suggested to apply a battery backup (UPS).
 - For better performance, it is highly suggested to use Micro SD card of MLC NAND flash, Class 10.
 - Replace the memory card when its read/write speed is lower than 6 MB/s or when the memory card is frequently undetected by the camera.

Packing List

- | | |
|--|--------------------------------------|
| 1. Ultra Bullet Camera (with Waterproof or Non-Waterproof LAN connector) | 9. Silica Gel Bag x 2 |
| 2. Camera Stand x 1 | 10. 2-Pin Terminal Block |
| 3. Black Rubber x 1 | 11. Data cable |
| 4. Self Tapping Screw x 3 | 12. Power Adapter |
| 5. Plastic Screw Anchor x 3 | 13. GV-IPCAM H.264 Quick Start Guide |
| 6. Torx Wrench x 1 | 14. GV-IPCAM H.264 Software DVD |
| 7. Sun-Shield Cover Kit (1 Sun-Shield Cover, 2 Philips Head Screws, 2 Plastic Screw Spacers and 2 Hexagon Screws included) | 15. GV-NVR Quick Start Guide |
| 8. Cable connector (for waterproof LAN connector only) | 16. GV-NVR Software DVD |

Note: The power adapter can be excluded upon request.

Accessories

Name	Details
 <p>GV-PA191 PoE Adapter</p>	<p>Weight: 130 g (0.29 lb) Dimensions (H x W x D): 43 x 69 x 40 mm (1.69" x 2.72" x 1.57")</p>
 <p>GV-Relay V2</p>	<p>The GV-Relay V2 is designed to expand the voltage load of GV IP devices. It provides 4 relay outputs, and each can be set as normally open (NO) or normally closed (NC) independently as per your requirement.</p>
<p>Power Adapter</p>	<p>Power adapters are available in 4 regions: U.S.A., Australia, U.K and Europe.</p>
<p>GV-POE Switch</p>	<p>The GV-POE Switch is designed to provide power along with network connection for IP devices. The GV-POE Switch is available in various models with different numbers and types of ports.</p>