

LED Lighting Tube Installation Guide

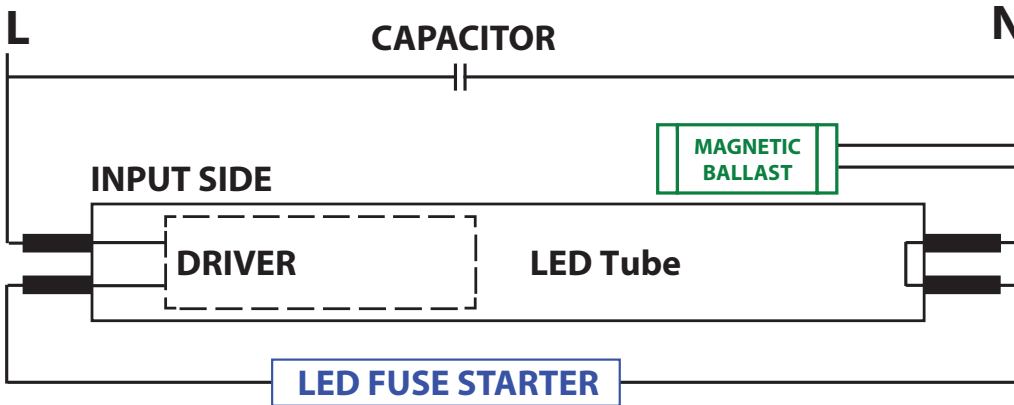
For new, magnetic ballast and electronic ballast installations

Please note that this guide applies only to fluorescent light fixtures fitted with standard **Magnetic Ballasts**. Installation in lighting fixtures using **Electronic Ballasts** or non-standard magnetic ballasts will require rewiring by a qualified electrician.

- Step 1** Turn off power at the light switch and leave the light off for at least 10 minutes to cool down.
- Step 2** Remove the fluorescent tube and fluorescent starter from the light fixture, disposing of them accordingly.
- Step 3** Replace the fluorescent starter with the included "LED STARTER" fuse included with the LED tube light.
- Step 4** Fit the new LED tube light into the light fixture and turn on the light switch to test.

Wiring diagrams below are a reference only. Installation by a qualified electrician is recommended.

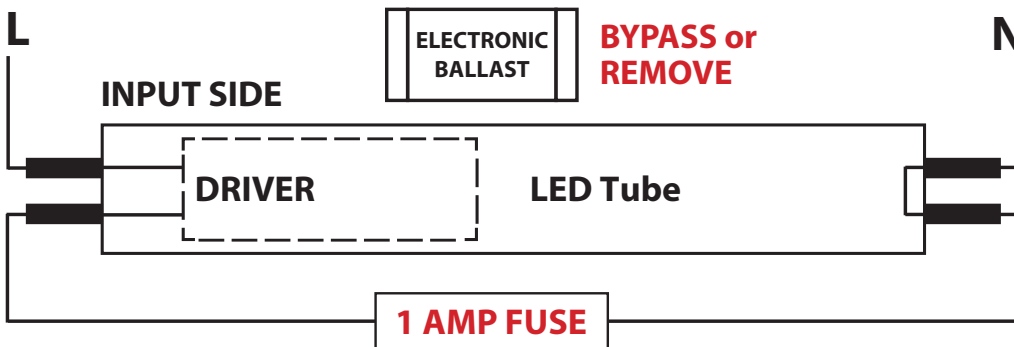
DIY Magnetic Ballast Installation



- Starter **MUST** be changed to LED fuse starter (Included).

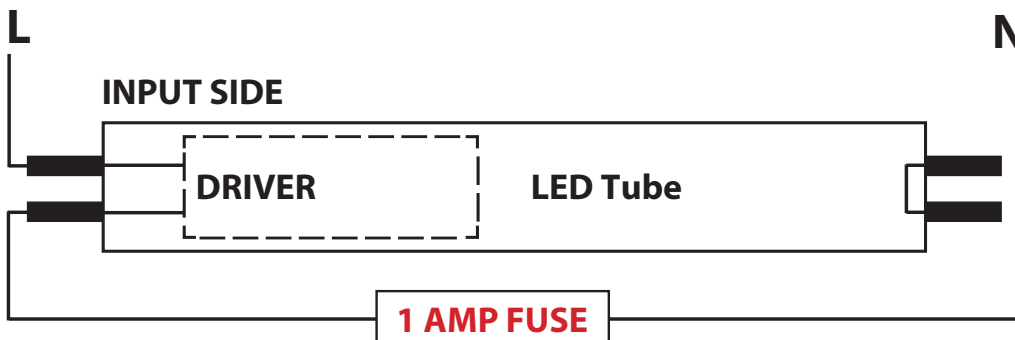


Electronic Ballast Installation



- The electronic ballast **MUST** be removed or bypassed to operate.
- FOR SAFETY: You **MUST** add 1A Fuse as per the diagram.

New Installation



- Bypass/removal of ballast & capacitor improves efficiency & power factor.
- FOR SAFETY: You **MUST** add 1A Fuse as per the diagram.