

# Adapter/Junction Box for Surveillance Cameras

Model: MB1052

Aluminium adapter/junction box used as a spacer or as connector for corner & pole mounts.

Model	MB1052
Materials	Aluminum
Dimensions	Ø161 x 38mm
Pipe Thread	G 3/4"
Operating Conditions	-40° ~ 60°C / 90% RH (max)
Load Bearing Capacity	3.00kg
Weather Resistance	Yes
Weight	0.45kg



## Bracket Compatibility

This bracket is compatible with the following cameras from VIP Vision and/or Securview Victory Series.

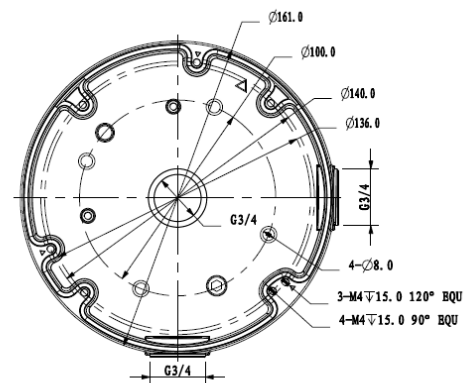
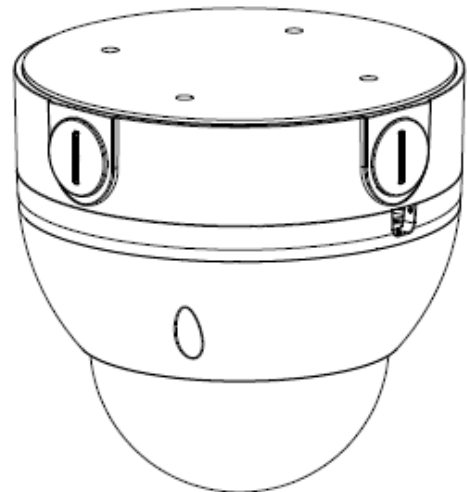


CAM390, CAM376,  
CAM394, CAM392  
and more...



CAM614

Additional camera brackets, adapters, junction boxes or connectors may be required for camera compatibility. Please see full bracket compatibility reference or call our sales team for more detail.



Your professional CCTV surveillance dealer: