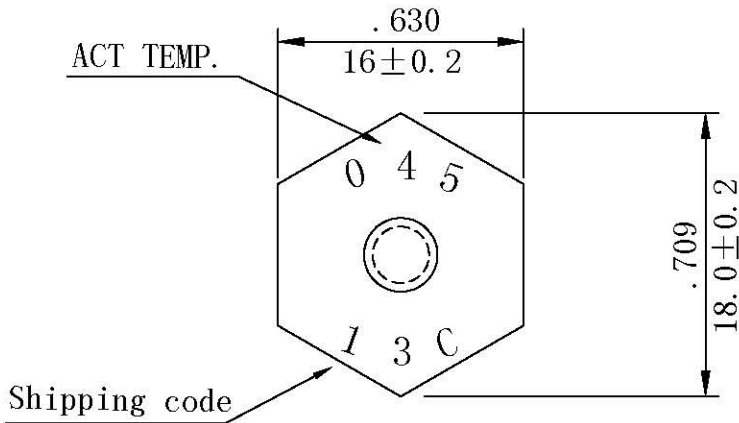


SPECIFICATIONS

PARTS NAME	MATERIAL	UL FLAME GRADE
1 Sensing cap	Brass	
2 Actuating pin	Ceramic	
3 Bimetal disc	Bimetal	
4 Retainer	PPS	94V-0
5 Contact-F	Silver alloy	
6 Contact-R	Silver alloy	
7 Rivet	Copper	
8 Terminal	Brass tin plated	
9 Case	PPS	94V-0
10 Movable arm	Beryllium copper	
11 Stationary arm	Brass	
12 Tube	Brass	

- * CONTACT TYPE : Normally Closed
- * ACTION TEMP : $045^{\circ}\text{C} \pm 3^{\circ}\text{C}$
- * RESET TEMP : $037^{\circ}\text{C} \pm 4^{\circ}\text{C}$
- * TERMINAL SIZE : Amp #250 TAB
- * CIRCUIT RESISTANCE : $50\text{m}\Omega$ MAX.
- * INSULATION RESISTANCE : $100\text{M}\Omega$ min. at DC 500V
- * DIELECTRIC STRENGTH : AC 1450V For One Minute
Or AC 1800V For One Sec
- * APPROVALS AND OPERATING LIFE :
UL CUL: 100,000 Cycles :15A 125VAC/10A 250VAC

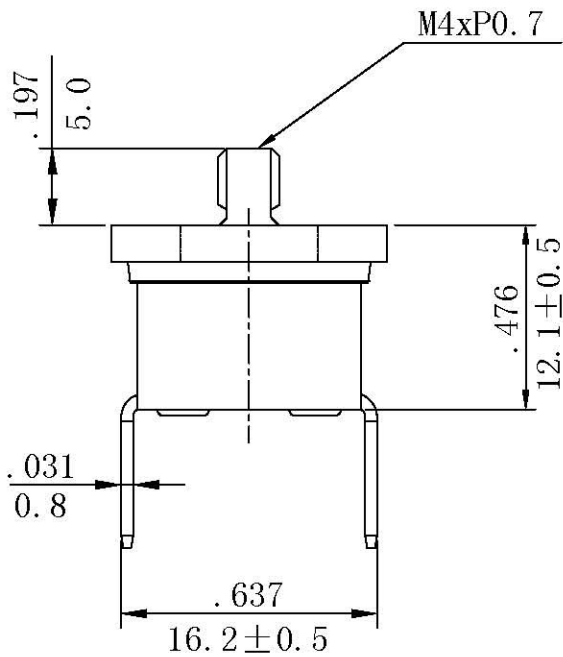


1 3 C

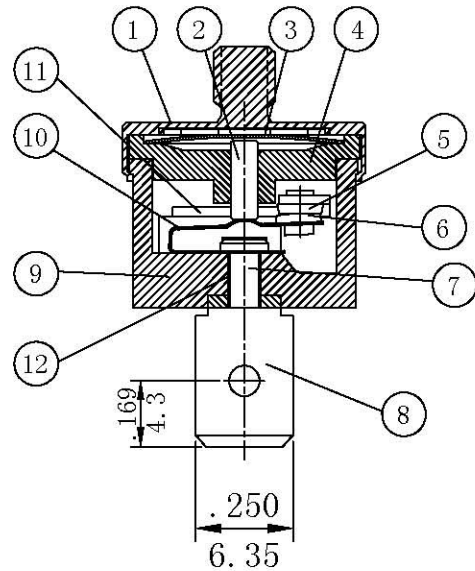
Normally Closed

Month: March

Year: 2021



Shipping Code



inch
mm

Scale 2:1 (mm)

		SERIES	T24	CODE	71030
		UNIT	mm	CUSTOMER	T24A045AHR2-08-PB
		DWG	CHK	SALE	APP
Content	Revise	XIR			