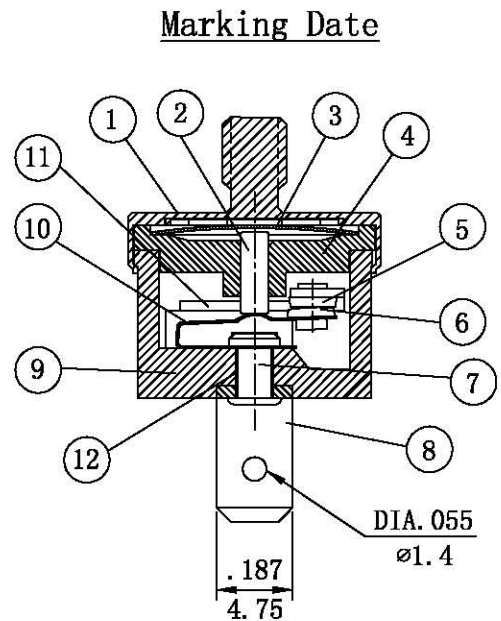
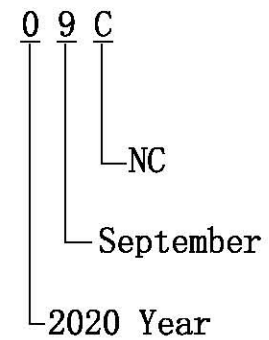
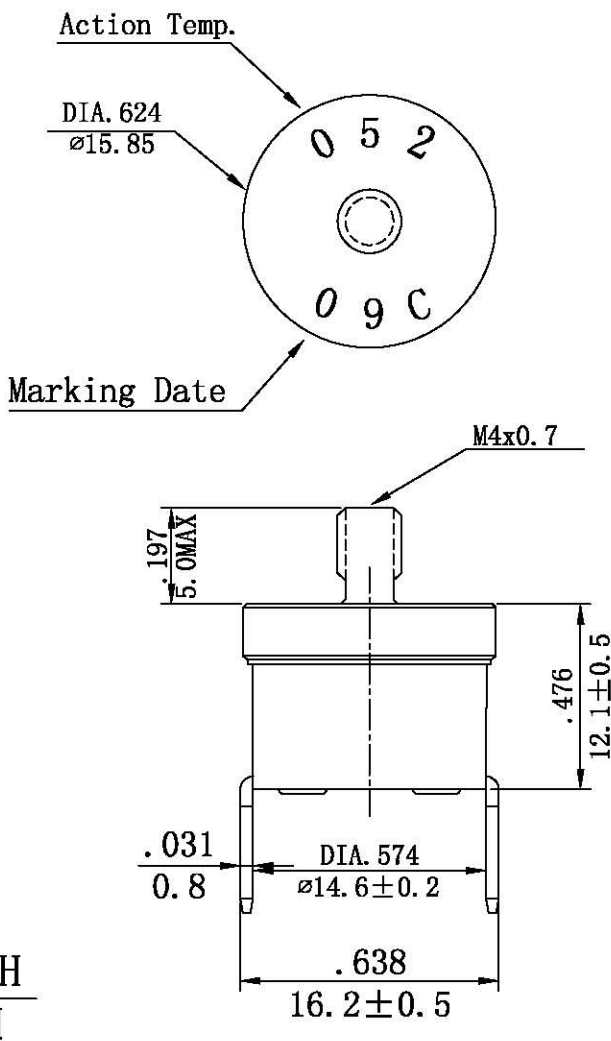


	PARTS NAME	MATERIAL	UL FLAME GRADE
1	Sensing cap	Aluminum	
2	Actuating pin	Ceramic	
3	Bimetal disc	Bimetal	
4	Retainer	PPS	94V-0
5	Contact-F	Silver alloy	
6	Contact-R	Silver alloy	
7	Rivet	Copper	
8	Terminal	Brass tin plated	
9	Case	PPS	94V-0
10	Movable arm	Beryllium copper	
11	Stationary arm	Brass	
12	Tube	Bronze	

SPECIFICATIONS

- * CONTACT TYPE : Normally Close
- * ACTION TEMP : 052 ° C ± 3 ° C
- * AUTO RESET TEMP : 042 ° C ± 4 ° C
- * TERMINAL SIZE : Amp #187 TAB
- * CIRCUIT RESISTANCE : 50mΩ MAX.
- * INSULATION RESISTANCE : 100MΩ min. at DC 500V
- * DIELECTRIC STRENGTH : AC 1250V For One Minute
Or AC 1800V For One Sec
- * ELECTRICAL RATING : 16A 250VAC\15A 125VAC
10A 250VAC (Resistive Load)
- * OPERATING LIFE AND APPROVALS :
UL CUL:100,000 Cycles :15A 125VAC/10A 250VAC
ENEC17:100,000 Cycles :15A 125VAC/10A 250VAC
10,000 Cycles :16A 250VAC
CQC:10,000 Cycles :16A 250VAC



INCH
MM

SCALE	2:1 (mm)
-------	----------

		Series	T24	Code	71031
		Unit	mm	Customer	T24A052ARR1-10
		draft	check	sale	approve
Description	Draft	XIR			