

Piccolo TUF-HP provides high powered USB A+C laptop and mobile charging in an easy to install compact yet powerful module.

This innovative solution splits the power system, providing a compact USB laptop and mobile charging solution to the workspace with the power supply discreetly hidden under the desk, inside cabinetry or fitted into the OE Prodigy cable basket.

PICCOLO is powered by our QF30 PSU, splitting the USB outlets from the AC/DC power supply, providing class leading USB charging.

Unique to OE Elsafe is the reversible Type A port which will ensure a quick single attempt connection every time.

PICCOLO can be mounted on or under desk, using screws, clamp bracket, velcro or adhesive pads enabling you to provide high power USB charging outlets wherever they are needed.

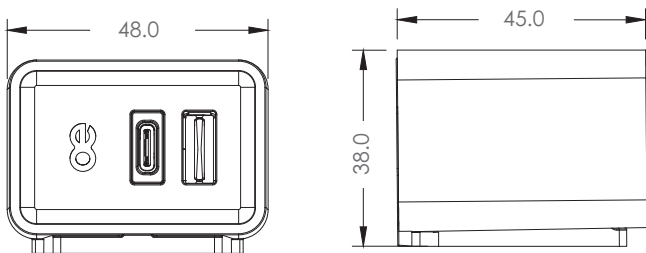
FEATURES

- TUF-HP USB Type C fast laptop charging
- Unique Reversible Type A port
- Multiple mounting options
- 24-30V DC power input
- Powered by the OE QikFIT QF30 PSU
- Optimum safety for use in public areas

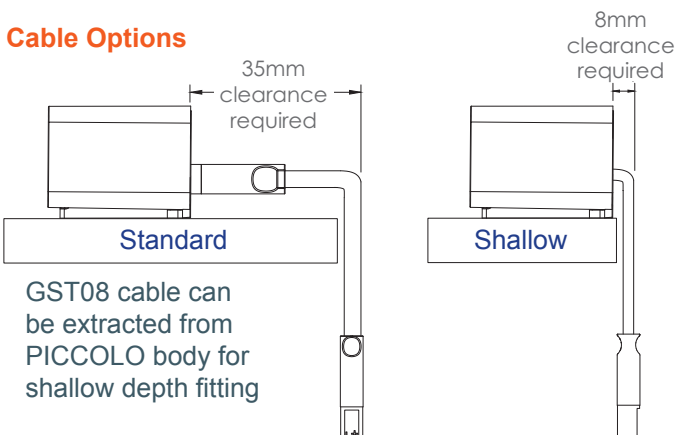


USB Charging Outlets	1 x Type C (Reversible) 1 x Type A (Reversible)
Power In connector	65mm Male GST08 DC connector
Rated Total Output Power	72W MAX
Output Voltages & Currents	TYPE C: MAX 60W 20V/3A, 15V/3A, 9V/3A, 5V/3A (PD3.0) QC 2/3.0 5V/3A, 9V/2A, 12V/1.5A TYPE A: MAX 12W 5V / 2.4A IDR BC1.2, Apple 12W Mode Samsung Fast Charge
Input Voltage	24 - 30V DC
USB Connector Min. Insertions	Type A 10,000 Type C 10,000
Over Current Protection	Yes. Digital control at 3.3A. Auto reset with LED flash.
Short Circuit Protection	Yes. Digital control at 3.3A. Auto reset.
Over Temperature Protection	Auto Power Reduction to PD 45W Mode. 20V/2.25A, 15V/3A, 9V/3A, 5V/3A
Rated Operating Temperature	0° TO 25°C
Certifications - Safety	IEC 62368-1 : 2018
Certification - EMC	EN61204 : 2018
User Replaceable USB module	No

Dimensions



Cable Options



Construction

High strength fire retardant polycarbonate

Colours

White

Power cord options:

GST08 male to female interconnect cable

Installation:

PICCOLO can be mounted on or under a desk top, using screws or Velcro/adhesive pads.

In addition PICCOLO can be mounted to monitor arm pillars using Velcro cable ties

Quality & Testing

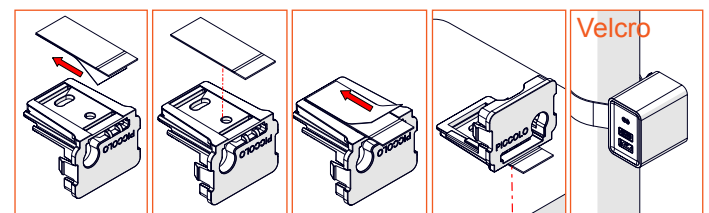
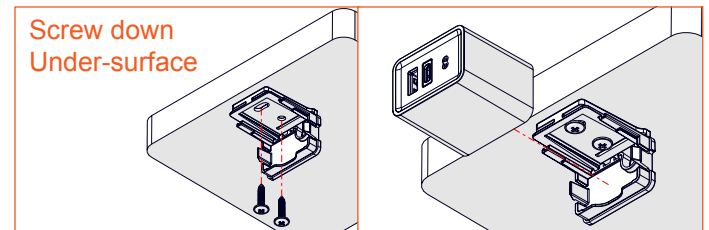
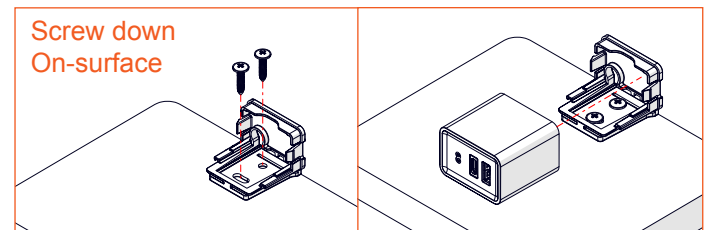
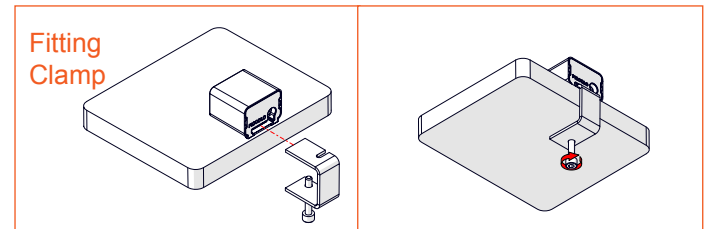
All PICCOLO units are manufactured using quality controlled components and practices and are 100% tested before dispatch:

- Visual: Configuration and appearance
- USB charger: Output voltage and resistance

"We test every pin on every connection in every socket"

Fitting Options

Piccolo must be paired with the QF30 PSU power supply and a GST08 lead. The QF30 PSU can be discreetly fitted under the desk, into cabinetry, or clipped into the OE Elsafe Prodigy cable basket.



QF30 PSU TECHNICAL

KEY SPECIFICATIONS - QF30 PSU

Input Connectors	1x Male Mains GST18/3 input 20A Installation Coupler
Output Connectors	1x Female Mains GST18/3 output 20A Installation Coupler 1x Female 30V DC GST08 output
Input Voltage	100-230 VAC 50-60HZ
Rated Input Current	1.7A
Input Power	MAX 75 Watts
Standby Power	0.21W
Output Voltage	30V
Output Current Rated	2.34A
Over Current Protection	Yes
Short Circuit Protection	Yes
Over Temperature Protection	Yes
Status Indication	Yes Blue LED
Standards	UL/IEC 62368-1 : 2018 (safety) and EN61204 : 2018 (EMC)



Piccolo TUF HP must be paired with a QF30 PSU (power supply) and GST08 lead.

QF30 PSU DIMENSIONS

