

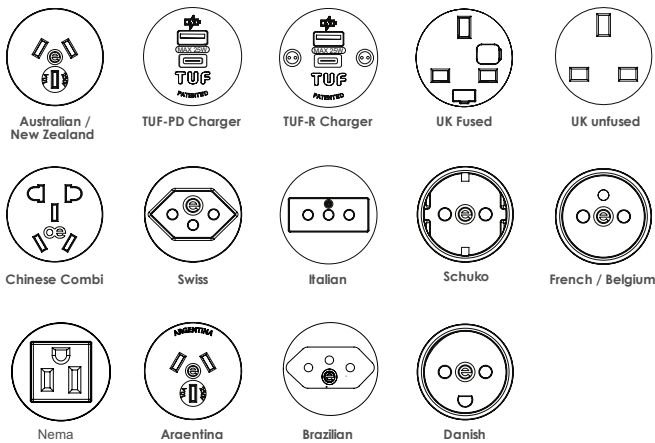


Panel mounted power

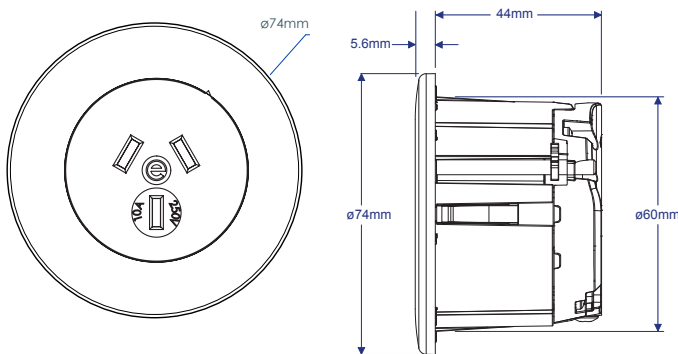
- Single AC or TUF-PD USB fast-charging socket
- Specifically designed for panel mounting
- Fits standard 60mm cable grommet opening
- Only requires 44mm depth
- Integrated fixings for fast installation in surfaces from 0.9mm to 30mm thick
- Ideal for panels with limited rear access
- Can be daisy-chained via JCoupler.
- Ideal for soft furnishings or lockers
- Black, white, stainless steel or colours on request



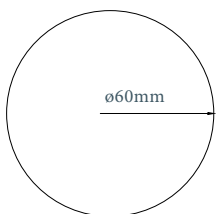
COMMON MODULAR COMPONENTS



UNIT DIMENSIONS

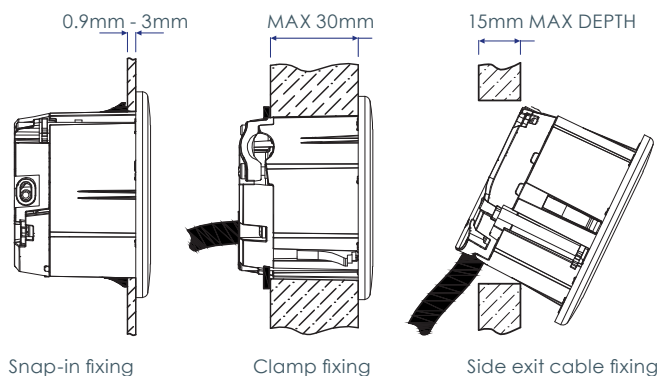


CUTOUT DIMENSIONS



PIP can be installed into a pre-existing industry standard $\varnothing 60\text{mm}$ cutout, or hole can be drilled into surfaces using an appropriate hole saw.

MAXIMUM PANEL THICKNESS



CONFIGURATIONS

Single 42mm type AC power socket or TUF-PD USB fast-charging socket.

CONSTRUCTION

- Body and back – Nylon
- Socket fascia – Polycarbonate
- Bezel – ABS with optional metal inlay

INTEGRAL FIXINGS

- Panel mount clips for surfaces 0.9mm – 3mm thick
- Screw clamps for surfaces 0.9mm – 30mm thick

COLOURS

- Socket fascias – Black, Grey or White (AC & TUF-PD only)
- Body & back mouldings – Black
- Bezel – Black, grey or white mouldings with optional satin painted finish and decorative inlays



POWER CORD OPTIONS

- Hardwired power cord to AC plug;
- Hardwired power cord to GST18-3;
- Hardwired power cord to JCoupler

EARTH BONDING

PIP with AC power sockets can be ordered with optional external lead for earth bonding metal furniture.

QUALITY & TESTING

All PIP units are manufactured using ISO9001 quality-controlled components and practices and are 100% tested before dispatch as follows:

- Visual – Configuration & appearance
- Power sockets – Continuity, polarity, insulation & earth
- USB charger – Output voltage & resistance

PIP has been designed and manufactured to comply with applicable national/international safety and EMC standards for the country of intended use, utilising fully certified components.