

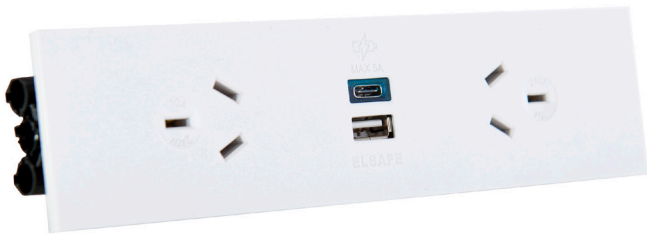
# qikFIT 2GPO TUF

QikFIT 2GPO TUF combines 2 auto switched GPOs with a TUF (TWIN USB FAST) charger in one compact module.

Delivering 5A of power across two USB ports, TUF A+C will simultaneously charge two devices at speeds comparable to or faster than the device's own chargers, utilising IDR (Intelligent Device Recognition) ensuring optimum charging rates.

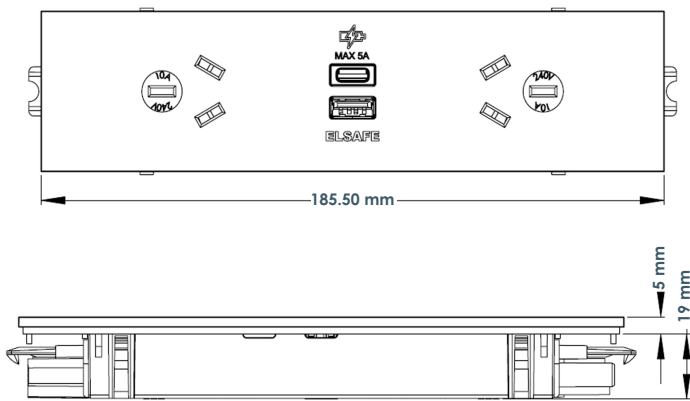
OE Elsafe QikFIT power modules are designed to fit the OE Elsafe range of rails and boxes as well as industry standard cut-outs. All sockets are auto switched for a clean sleek look and efficient operation.

The QikFIT series comes with either soft wired installation couplers, for quick and easy change and CHURN or a hard wired option which incorporates a cable with the OE Elsafe J-Coupler on the end.

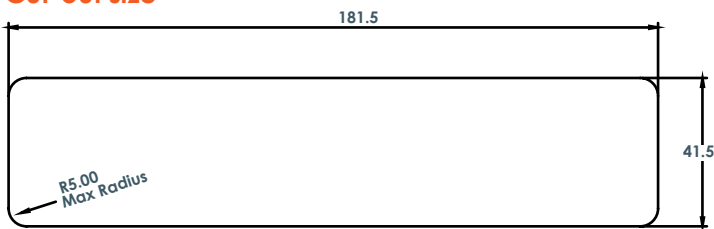


# qikFIT 2GPO TUF TECHNICAL

## Unit Dimensions



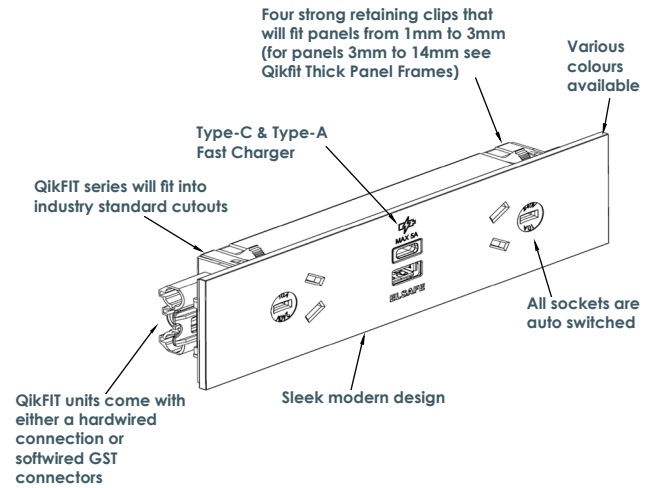
## Cut-out size



## Technical data

The Twin USB Fast Charger is for charging only. No data transfer is available as no connection to a computer is provided.

Features	
Protection from External Surges	Yes (3.5kA for 8/20us Pulse)
Internal Over Temp Protection	Self Resetting
Internal Over Voltage Protection	Self Resetting
Output Over Current Protection	Self Limiting
Short Circuit Protection	Self Resetting
USB Sockets	Gold Plated for Improved Contact Type-A specifically manufactured for minimum 5000 insertions. Type-C for minimum 10,000 insertions.
Cable Compensation	Dynamic Voltage Adjustment to compensate for Cable Voltage loss
Standards	Certified to IEC 615582.16 and EN61204-3/CISPR22



## Specifications

USB Charging Outlets	1 x Type A Female 1 x Type C Female
Charging Current	Maximum 5A in total
Rated Total Output Power	25W
AC Voltage Range	200-240VAC at 50/60Hz
AC Input Current (Full Load)	Maximum 0.6A
AC Input Current (No Load)	Less than 0.5mA
Efficiency	Up to 90%
Environment	0 - 30C / 85% Relative Humidity
Standby Power	3

## Device Charge Times



	10 to 90% Charge Time [Min]
Sony Xperia Z1	143
iPhone 6S	89
Samsung Galaxy Note 10.1" Tablet	216
iPad 3/4	225
Nexus 6p	74

## Compatibility

Apple iPhone/iPad	Yes - Including NEW Apple 2.4A
Android (USB BC1.2)	Yes
Samsung Tablet Charging Specification	Yes
Google Pixel	Yes
Blackberry	Yes



## Qikfit Series: TUF

Part No	Description	Unit	Colour	
<b>Male &amp; Female Connectors</b>				
	152301	QIKFIT Dual auto switched power outlet   TUF Charger 5A Type-A&C	EACH	BLACK
	152302	QIKFIT Dual auto switched power outlet   TUF Charger 5A Type-A&C	EACH	WHITE
	152303	QIKFIT Dual auto switched power outlet   TUF Charger 5A Type-A&C	EACH	GREY
<b>With 800mm Lead</b>				
	152330	QIKFIT Dual auto switched power outlet   TUF Charger 5A Type-A&C   800mm Lead and J Coupler	EACH	BLACK
	152331	QIKFIT Dual auto switched power outlet   TUF Charger 5A Type-A&C   800mm Lead and J Coupler	EACH	WHITE
	152332	QIKFIT Dual auto switched power outlet   TUF Charger 5A Type-A&C   800mm Lead and J Coupler	EACH	GREY
<b>With 1400mm Lead and Female Output</b>				
	152333	QIKFIT Dual auto switched power outlet   TUF Charger 5A Type-A&C   1400mm Lead with J Coupler   Female Output	EACH	BLACK
	152334	QIKFIT Dual auto switched power outlet   TUF Charger 5A Type-A&C   1400mm Lead with J Coupler   Female Output	EACH	WHITE
	152335	QIKFIT Dual auto switched power outlet   TUF Charger 5A Type-A&C   1400mm Lead with J Coupler   Female Output	EACH	GREY
<b>Mounting Options</b>				
	161609	QIKFIT Thick Panel Frame (without Qikfit)	EACH	WHITE
	161610	QIKFIT Thick Panel Frame (without Qikfit)	EACH	BLACK
	161611	QIKFIT Thick Panel Frame (without Qikfit)	EACH	GREY
	150975	QF5 Narrow Back Blank Tile for use with QIKFIT TUF in 4 GPO panel cutout	EACH	WHITE
	150976	QF5 Narrow Back Blank Tile for use with QIKFIT TUF in 4 GPO panel cutout	EACH	BLACK

For further information visit: [elsafe.com.au/qikfit-series](http://elsafe.com.au/qikfit-series)

Effective 1st September 2018