

Outdoor solar PoE switch

(8*10/100/1000M PoE ports +2*1000M SFP ports)

User manual

Ver. 1.0

Overview

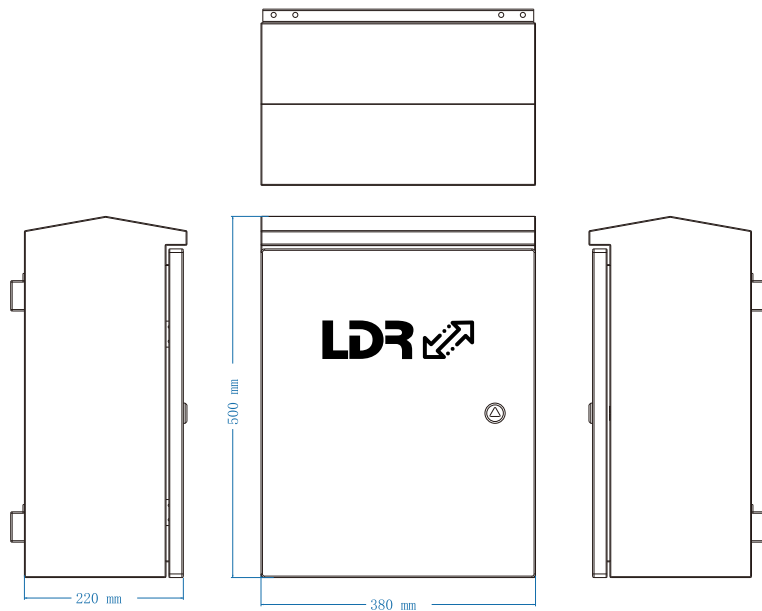
It is an outdoor solar PoE switch, powered by solar battery, with MPPT controller, storage battery, PoE switch, circuit-breaker, surge arrester, cooling fan inside.

It can be applied for surveillance monitoring, forest monitoring, etc.

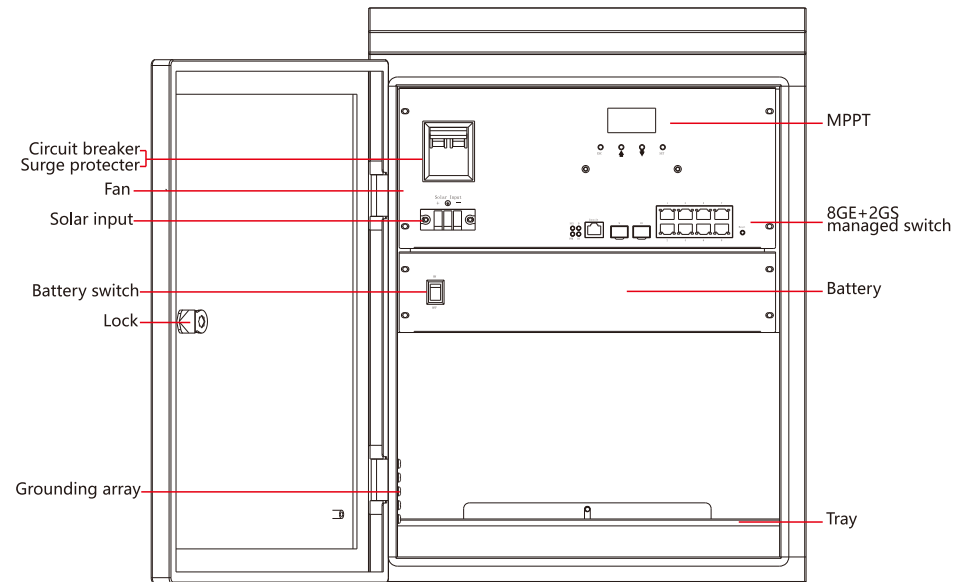
Feature

- Solar power input, input 60~150VDC;
- With 8*10/100/1000M PoE downlink ports and 2*1000M SFP ports, with L2 network management;
- With MPPT controller, connected the solar battery and charge the storage battery
- With storage battery, lithium iron phosphate battery.
- The box adopts waterproof , anti-rust treatment, suitable for long time outdoor use.

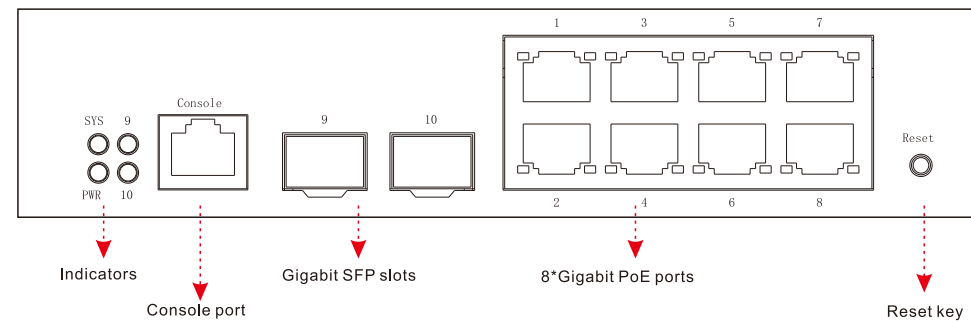
Application



Panel diagram



Structure dimension



Package list

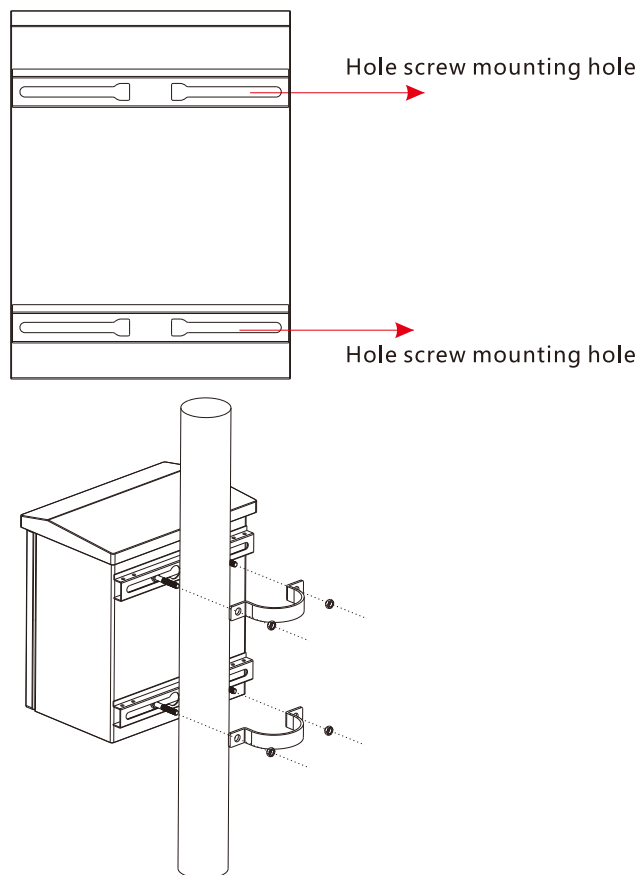
Please check the following items before installation, if any missing, please contact your local dealer.

Outdoor solar PoE switch	1pc
User manual	1pc
Installation accessory	1set

Installation

Installation guide

If you need to hold the pole to install, as shown in the figure below, install the two holding holes through the pole to the rear slot; Then tighten the mounting screws to the pole to fix it.



Specification

Item		
Power	Solar input	Solar battery input, 60~150VDC
PoE switch	Switch parameter	1~8 ports: 10/100/1000Base-T 30W PoE RJ45(IEEE802.3af/at) 9~10 ports: 1000M SFP slots
	PoE ports	Ports 1~8 support IEEE802.3af/at, end-span, 30W per port Max.
	Switch fabric	20Gbps
	Switch Throughput	14.88Mpps
	Switch Buffer	4M
	Switch MAC address table	8K
Switch Indicator	Power	1 *red
	Uplink 9~10	Green LEDs indicate Link/Act
	Downlink 1~8	Green LEDs indicate Link/Act, yellow LEDs indicate PoE
Switch Protection	Surge	6KV, standard: IEC61000-4-5
	ESD	6KV: contact / 8KV: air, standard: IEC61000-4-2
Cooling fan	Cooling fan	1pc
Storage battery	Battery type	Ternary lithium battery
	Rated voltage	48V, 7.5AH
MPPT controller	System voltage	12V/24V/36V/48V/Auto
	Solar input voltage	<150V DC
	Battery type	lead battery and li battery
	MPPT efficiency	>99%
	Rated charging current	40A
Environment	Working temperature	0°C~55°C
	Storage temperature	-40°C~85°C
	Humidity	0~90%(No condensation)
Structure	Dimension(L×W×H)	380mm×220mm×500mm
	Material	Metal SGCC
	Colour	White
	Net-weight	15KG