




 **KASTA**

Product Catalogue

Living **Enhanced** 





# Contents

- 4 Introduction**
- 6 Inspirational Design**
- 8 Typical System Solutions**
- 10 How it Works**
- 10 Application Solutions**
- 11 KASTA App**
- 12 Whole-Home Control**
- 14 Wireless Control and Integration**
  - 16 Cloud Connect Gateway
  - 17 Plexy Gateway
- 18 Interfaces**
  - 20 Hesperus™ Series Multivue Switch
  - 21 Hesperus™ Series Touch Switch
  - 22 Hesperus™ Series Push Switch
  - 23 Hesperus™ Series Unison™ Switch Plate
  - 24 Hesperus™ Series Unison™ Switch
  - 25 Edgy™ Series Unison™ Switch Plate
  - 26 Edgy™ Series Unison™ Switch
  - 27 Battery Powered Handheld Remote
  - 28 Labelling Service
  - 29 Mechanism Button Caps
- 30 Lighting Control**
  - 32 Battery Powered Remote Switch Mechanism
  - 33 Remote Switch Mechanism
  - 34 Dimmer Mechanism
  - 35 Switch Relay Mechanism
  - 36 Dimmer Surface Socket
  - 37 Relay Surface Socket
  - 38 Dimmer Module
  - 39 Switch Relay Module
- 40 Warehouse/Industrial Lighting Control**
  - 42 0-10V Dimmer
  - 43 Daylight Sensor
- 44 Power Control**
  - 46 Hesperus™ Series Powerpoint
  - 47 Hesperus™ Series Unison™ Powerpoint
  - 48 Edgy™ Series Powerpoint
  - 49 Edgy™ Series Unison™ Powerpoint
- 50 Air Movement**
  - 52 AC Ceiling Fan Controller
  - 53 Thermostat
- 54 Curtain Control**
  - 55 Curtain Control Module
- 56 Door and Gate / Irrigation Control**
  - 58 Dry Contact Output Module
  - 59 Remote Switch 5-Input Module
- 60 RGBTW Lighting**
  - 61 RGBTW Downlight
  - 62 RGBTW 5m LED Strip Kit
  - 63 RGBTW Globes
- 64 KASTA Unison™ Products**



# Introduction

Simpler and smarter controls solution designed for residential, hotel and commercial builders. The complete range of **KASTA** smart products offer simple luxury for an enhanced lifestyle, that can be seamlessly integrated into the automation platform ecosystem.

**KASTA Technologies'** automation and control devices are completely modular without compromising on sophistication, and delivering an exceptional experience. The range is based on wireless technology and no additional cabling, unlike more complex systems on the market. **KASTA** intelligent devices are IoT ready, completely scalable and seamlessly integrate into the automation platform ecosystem; allowing the customer to grow their automation and controls system as and when required.

**KASTA Technologies**, an Australian company with global offices located in Europe, Asia and North Americas, is devoted to providing customers with sophisticated technology to enhance their lifestyle. This philosophy is carried forward with a user experience of being simple, comfortable and human centric at the forefront of **KASTA Technologies'** research, development and industrial design.

**KASTA Technologies** – Providing comprehensive and trustworthy support for customers, innovative technology, excellent system solutions and outstanding quality you can rely on.





KASTA has been cleverly created to seamlessly integrate and work with other platforms, providing an end-to-end connected environment.



Making home automation and control more accessible than traditional market players, delivering no compromise in features, quality and experience.



Complementing architectural aesthetics with smart components, whilst matching traditional electrical fittings, ensuring consistency in look and design around the building, residence, hotel or dwelling.



The unique way KASTA solutions are designed, means there is no extra requirements for specialists to be employed to install or program the system - any electrical contractor can do this. Further consideration has been made to eliminate the need for complex proprietary cabling.

# Inspirational design

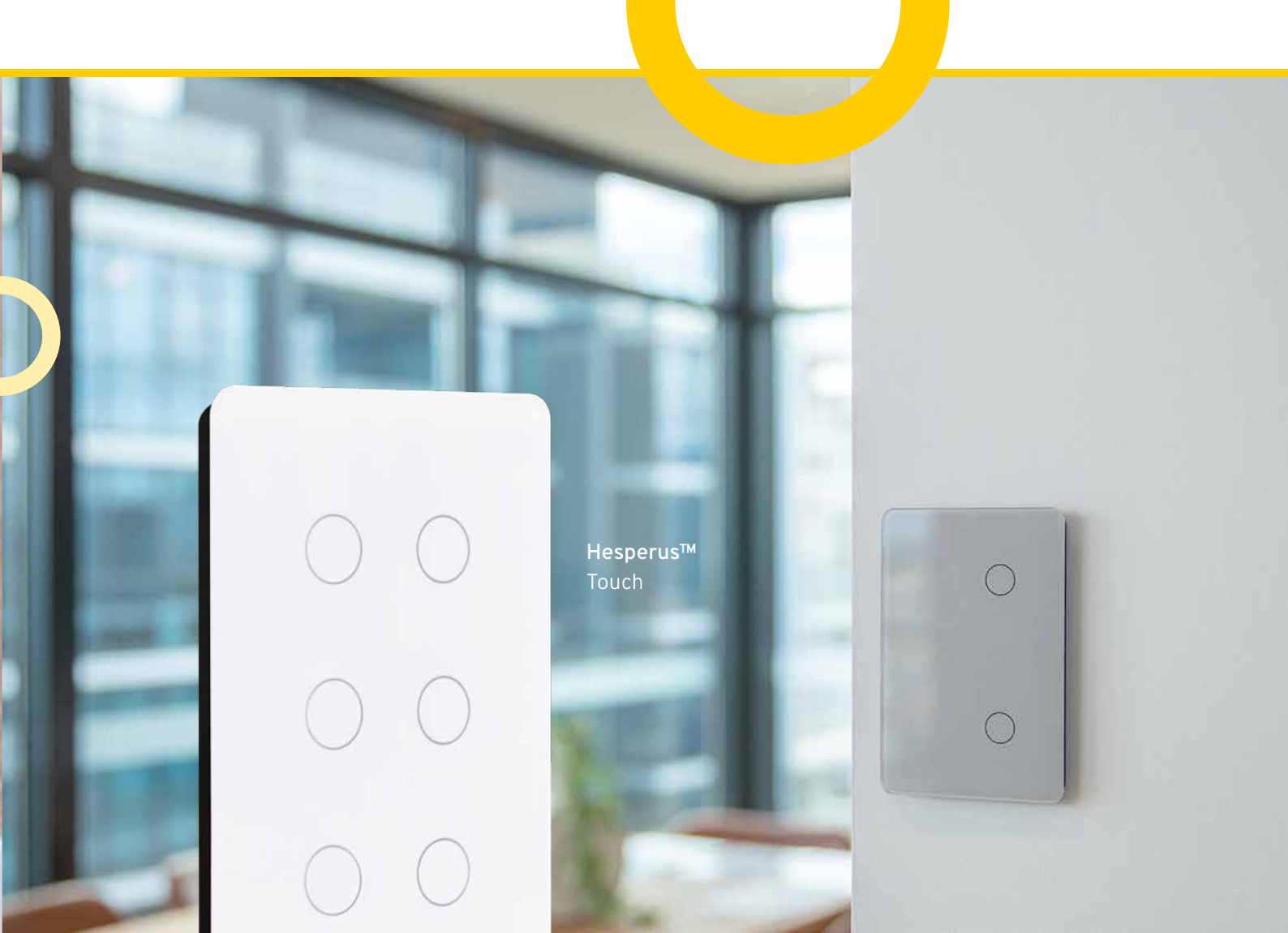
Handheld  
Remote



Cloud Connect  
Gateway




















Hesperus™  
Touch



Hesperus™  
Powerpoint



# Typical system solutions

		House	Apartment	Hotel	Serviced Apt.	Industrial
	Wireless	✓	✓	✓	✓	✓
	Remote	✓	✓	✓	✓	✓
	Lighting	✓	✓	✓	✓	✓
	Sensors	✓	✓	✓	✓	✓
	Curtains & blinds	✓	✓	✓	✓	
	Garage	✓				
	Gate	✓				
	Ceiling fan	✓	✓			
	Exhaust fan	✓	✓			
	Irrigation	✓	✓			
	Water features	✓	✓			
	Door entry			✓	✓	
	Thermostat control			✓	✓	



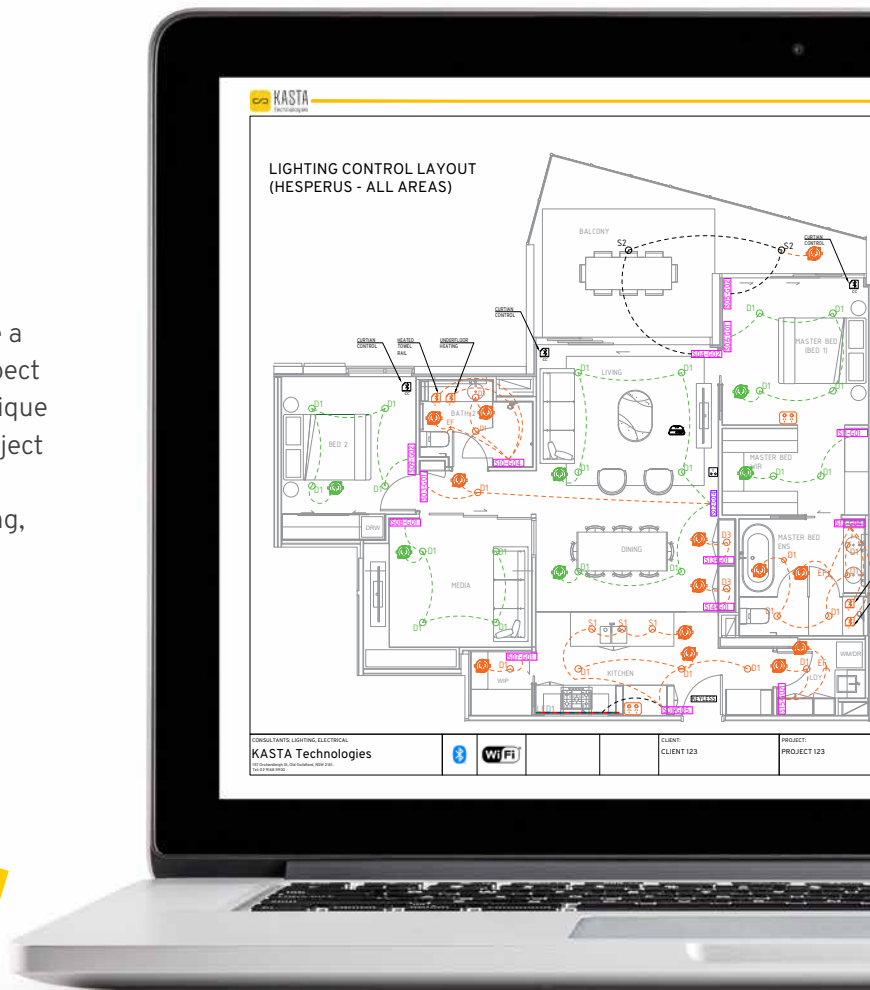
# How it works



KASTA uses a secure and reliable **Bluetooth® mesh network** to deliver a completely modular solution for your smart controlled spaces, meaning no additional cabling and the opportunity to start off small before scaling up to add more devices as your needs and desires for smart controls grow.

# Application solutions

'Best in class' industry design solutions to create a true example of what our clients can come to expect in their opportunities. Complete bespoke and unique offering tailored for demographic, budget, or project design standards. Or, choose from predefined packages designed to suit any residential dwelling, hotel, or serviced apartment floor plan.





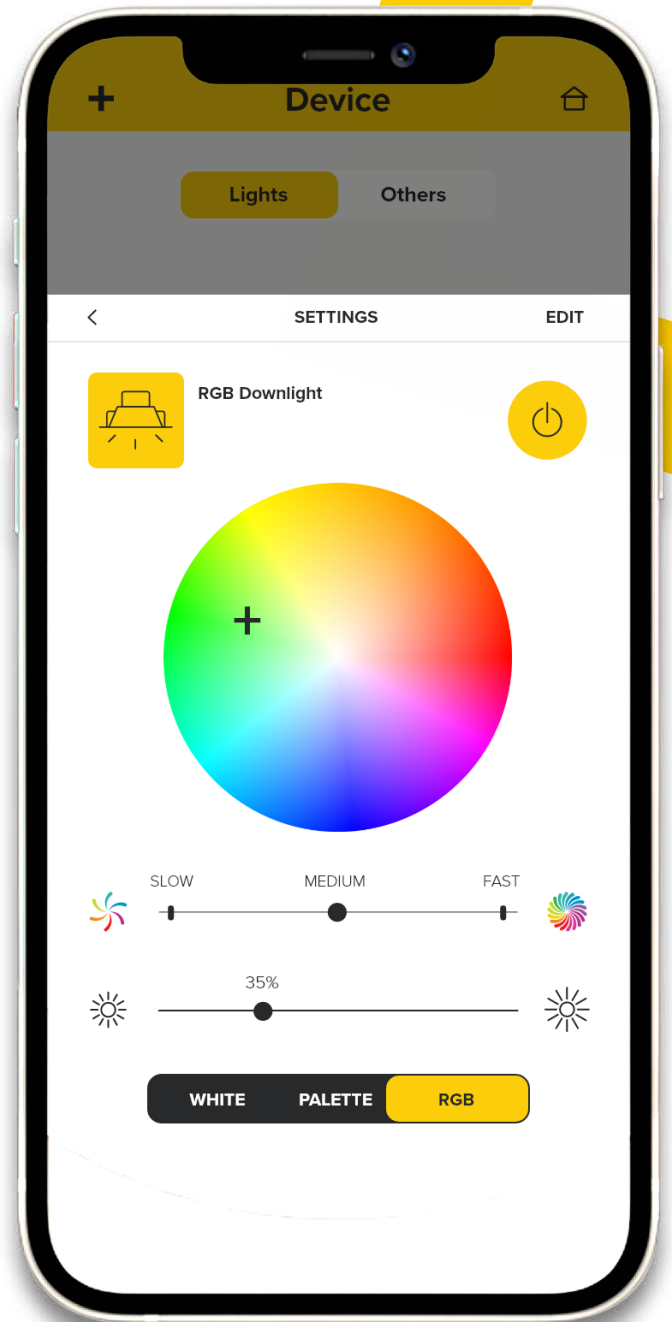
# KASTA app

Living **Enhanced** starts at your fingertips - just one touch can take control of your whole home ecosystem.

Compatible on both iOS and Android platforms across all smart phones and tablet devices.

Designed to work seamlessly throughout your home environment, connecting to your smart devices and creating limitless possibilities to personalise and control your space in one simple, intuitive app.

Control and personalise your whole home; opening the garage door, turning lights on, opening curtains, controlling TV power, switching on irrigation, controlling air movement and temperature, and much more.



# Using KASTA for whole-home control solutions.

**IPAD/TABLET**  
KASTA App  
For convenient  
control of your whole  
KASTA system



**MOTORISED WINDOW**  
Remote Switch  
Mechanism + Curtain  
Control Module  
For simple control of  
motorised windows and  
window furnishings



**IRRIGATION**  
Remote Switch  
Mechanism + Dry  
Contact Output Module  
For connection to, and  
control of third-party  
equipment



**POWERPOINT**  
Unison™ Powerpoint  
with USB Port  
For convenient power  
and USB charging

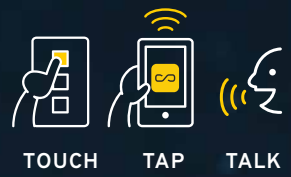


**SWITCH**  
Smart Remote Switch +  
Smart Surface Socket  
For device, scene, group  
and timer control



**SMART SPEAKER**  
Voice Control  
For control of KASTA  
devices through voice  
commands





**DOWNLIGHTS**  
Dimmer Mechanism  
For direct dimming  
control of lighting  
circuits

**PENDANT LIGHTING**  
Remote Switch  
Mechanism + Switch  
Relay Module  
For hard-to-reach  
lighting

**CEILING FAN**  
Remote Switch  
Mechanism +  
AC Ceiling Fan  
Controller  
For wireless control  
of AC Ceiling Fans

**LAMP**  
RGBTW Globes  
For smart RGB  
lighting control

**PHONE**  
KASTA App  
For remote  
access and  
control of your  
whole KASTA  
system

**POWERPOINT**  
Smart Powerpoint  
For power that can be  
scheduled to suit your  
lifestyle





# Wireless control

Utilising a strong, secure and reliable Bluetooth® mesh signal, **KASTA's** wireless ecosystem has been quoted as an effective leader in communications compared to others in the market.

Using a **KASTA** Cloud Connect Gateway enables you to monitor and control your system remotely, securely and with ease, as well as activate voice control via smart speakers.

Each button can action a scene, group, individual device or timer. Not just a single circuit like other control systems.

## WELCOME HOME

*Turn on my entrance, kitchen and living room downlights and power on my living room*

## READY TO EAT

*Dim kitchen downlights to 30% and turn on all my dining room lights*

## LEAVING HOME

*Turn off all lighting and power, and close my curtains*

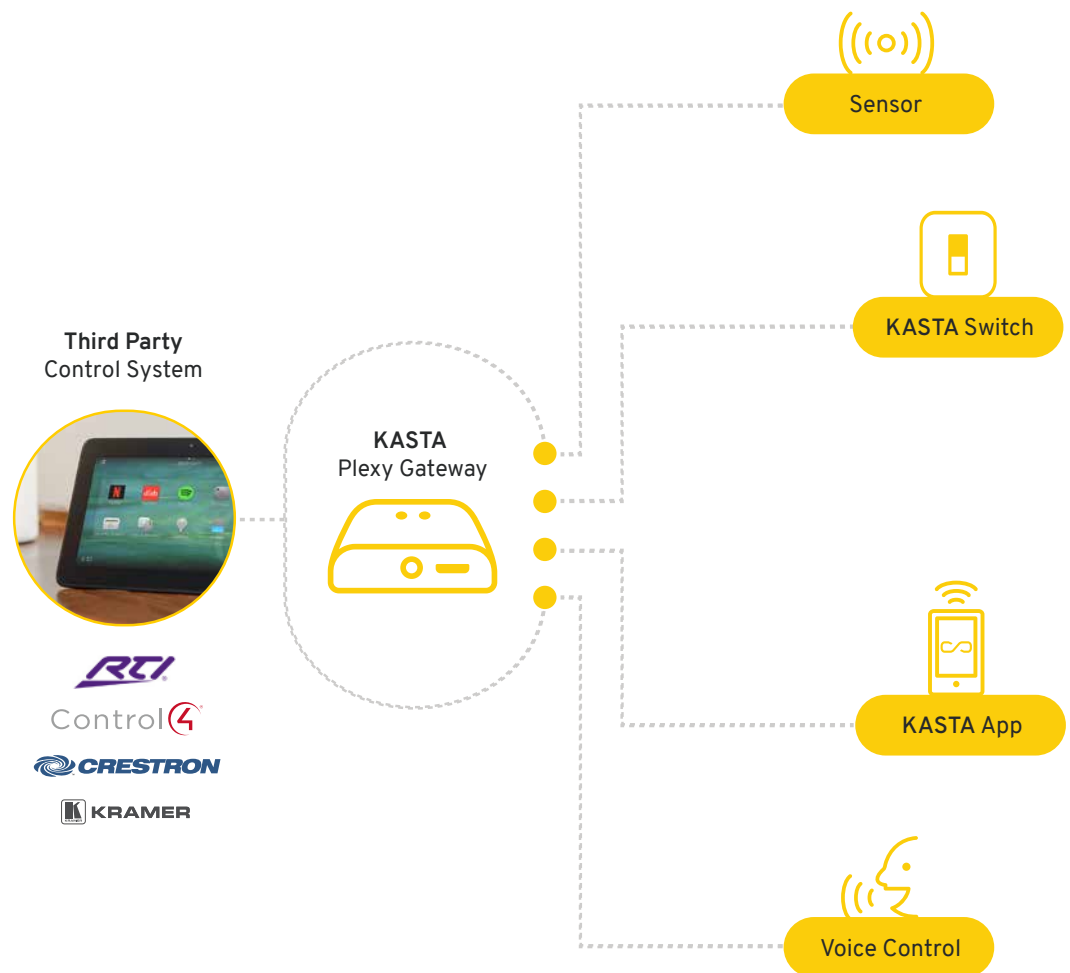




# Integration

KASTA's advanced lighting control technology is now available to integrate with popular home control systems such as RTI, Control4, Crestron and Kramer, offering a cost-effective solution and delivering an ultimate smart control experience.

The new KASTA Plexy™ Gateway enables integrators and owners to easily expand their lighting and control needs without being locked into traditional proprietary wiring systems and contracts. With KASTA you can control not only lights, but other devices such as fans, blinds, curtains, garage doors, gates, powerpoints, irrigation and more with your preferred automation control systems.



*The KASTA software team covers firmware access, cloud service, server control and App development. We not only supply hardware solutions but also SaaS solutions which complete the physical layer to application layer of technology integration.*

# Cloud Connect Gateway

KASTA-CCGW



Smart Cloud Connect Gateway utilises stable Bluetooth® CSR mesh and Wi-Fi to connect to a local router. Enables voice control when used with a smart speaker and remote access when used with a mobile phone and minimum 4G connection.

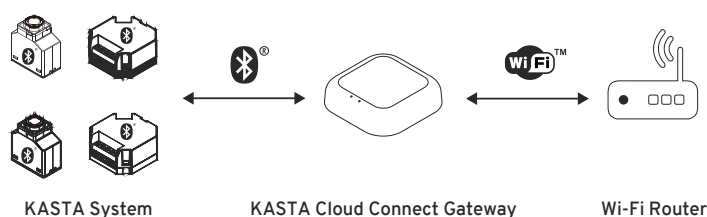
## FEATURES

- Interfaces and connects a KASTA Bluetooth® mesh network with the Local Area Network and Internet using Wi-Fi
- Provides users with remote access to their KASTA mesh network for control and monitoring
- Provides users voice control functionality through smart speakers
- CCGW gateway is an OPTIONAL device and is only required when remote access and voice control is required
- Supports core KASTA functionality - control devices, groups, scenes, timers and schedules
- iOS and Android app setup and control
- 3 year warranty

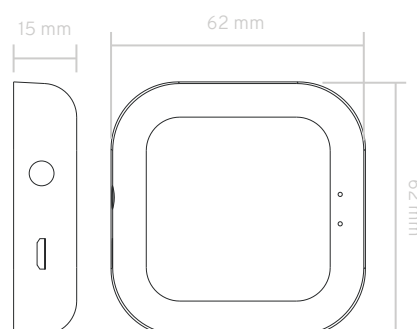
## SPECIFICATIONS

Power Supply	5V d.c. 1A (240V a.c. adaptor included)
Operating Ambient Temperature	-10 to 55°C
IP Rating	IP20
Bluetooth® Connectivity	Qualcomm®, Bluetooth®, CSRmesh™
Wi-Fi Connectivity	Wi-Fi 802.11 g/b/n, 2.4Ghz
No. of supported KASTA systems	1
Connection:	Packaged with USB power adaptor and 1m micro-USB cable
Smart Speaker Support	Amazon Echo, Google Home
Scheduling Support	Maintains schedule settings synchronisation
Colour	White
Housing Material	Acrylic / Polycarbonate (PC)
LED Indicators	Blue, Red
Standards Complied	AS/NZS 62368.1, AS/NZS 4268, AS/NZS CISPR 32

## CONNECTION



## DIMENSIONS





# Plexy™ Gateway

KASTA-PGW



## Gateway to integrate with third-party control systems

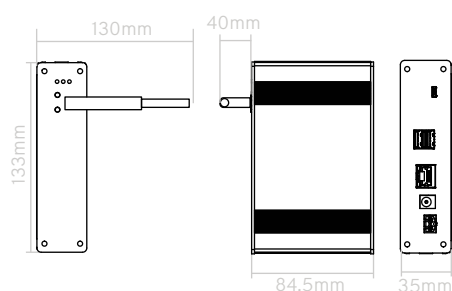
### FEATURES

- Provides reliable connectivity and control at the edge of IoT networks
- ESD, over-voltage and reverse-voltage protection
- Wide power input range with EMI filtering
- Interfaces and connects a KASTA Bluetooth® mesh network with the Local Area Network
- 2.4GHz band Software Defined Radio (6LoWPAN, 802.15.4 mesh, long-range proprietary protocols)
- Low power consumption (sleep mode and efficient processor)
- Advanced security controller hardware
- Wi-Fi Extension Antenna (optional accessory)
- Plexy gateway is an OPTIONAL device and is only required when integrating to third party systems - CCGW must still be used if remote access and voice control is required
- Supports core KASTA functionality - control devices, groups, scenes, timers and schedules
- Packaged with d.c. power adaptor (including 1.5m cable)
- iOS and Android app setup and control
- 2 year warranty

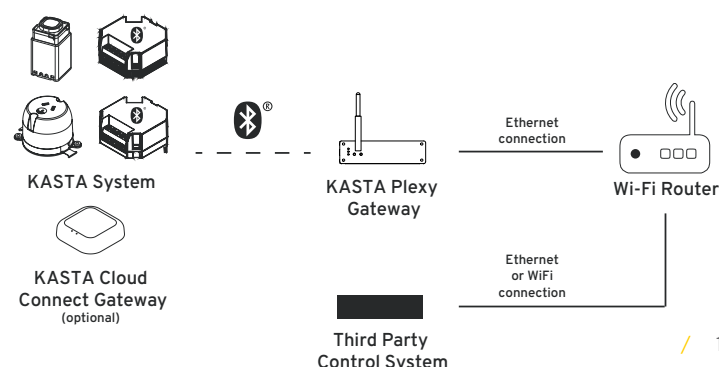
### SPECIFICATIONS

Power Supply	12V d.c., 15W Terminals or Barrel Connector
Operating Ambient Temperature	-10 to 55°C
Bluetooth® Connectivity	Qualcomm®, Bluetooth® Low Energy 5.0, CSRmesh™
Wi-Fi Connectivity	Wi-Fi 802.11 a/b/g/n, 2.4 and 5 Ghz
Processor	Cortex-A53 (ARMv8) 64-bit @ 1.2GHz
Flash	16GB
RAM	1GB
OS/Distribution	Linux / Raspbian (default), Ubuntu, etc.
LoWPAN Radio 1 (2.4GHz)	MGM13P on-board, software-defined radio - can also support proprietary protocols
Radio Expansion Socket	XBee socket (SPI and UART)
Ethernet	100BT
2 Type A Host Ports (USB2.0)	USB type micro-B (CP2102 serial driver)
Low Power Modes	15mA "Eco mode", 250uA sleep with RTC wakeup
Security Controller	OPTIGA™ TPM SLM 9670 - Secure Key Store
Battery Backed RTC	Yes, >10 year estimated battery life
No. of supported KASTA systems	1
IP Rating	IP20
Colour	Black
Housing Material	Aluminium, Polycarbonate (PC)
LED Indicators	Blue, Green, Red
Standards Complied	AS/NZS 4268, AS/NZS CISPR 32

### DIMENSIONS



### CONNECTION



# Interfaces

A select range of modern interface options to suit a variety of interior spaces. Complementing architectural aesthetics with smart components whilst matching traditional electrical fittings ensuring consistency in look and design throughout the building, residence, hotel or dwelling.





## HESPERUS™ Series

*The Hesperus™ Series of interfaces feature a glass-look finish in a range of colours. Offering a number of programmable button types and configurations gives unparalleled flexibility and control over KASTA devices.*



## HESPERUS™ Series

# Multivue™ Remote Switch

H5MSMB



## 5-button remote switch interface with LCD display for multiple page view

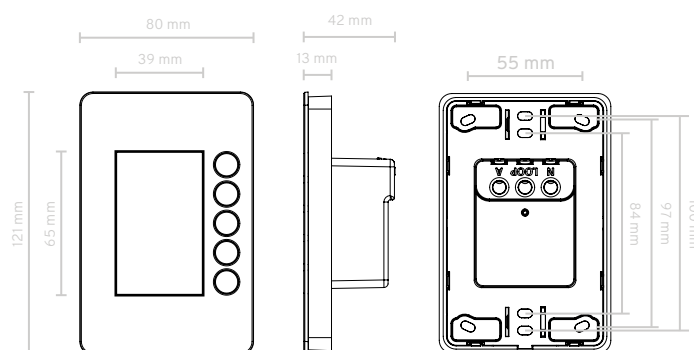
### FEATURES

- 5-button control with multiple LCD screen pages allows users to dynamically manage and monitor groups, scenes and individual devices (up to 20 devices/scenes or rooms)
- Clear digital icons for easy identification of device to be controlled
- Proximity sensor activates the device for use
- Ambient temperature indicator (in-built sensor)
- Language options: English / Mandarin (simplified)
- Regular and Bold font options
- UV stabilised to avoid discolouring
- Soft push buttons (with audio feedback) can be programmed to perform a variety of in-room and whole home control functions, for remote control of all KASTA devices
- Flexibility to program and re-program during and after commissioning
- Short press for ON/OFF control, long press for dimming or fan speed control
- Reliable Bluetooth® mesh network connectivity to all your KASTA devices
- Wi-Fi connectivity to enable device to be updated with the latest software features
- Fits standard first fix mounting accessories (e.g. C-clips, nail brackets, wall boxes)
- Flush mounting centres (not recessed) for quicker installation
- Backed off terminal screws and deep tunnels allow fast fitment of cables
- Insulated screw caps hinged to the grid plate to provide IP2X rating on mounting screws
- iOS and Android app setup and control
- 3 year warranty

### SPECIFICATIONS

Power Supply	220-240V a.c. 50Hz
Operating Ambient Temperature	-20 to 40°C
Wi-Fi Connectivity	Wi-Fi 802.11 g/b/n, 2.4Ghz
IP Rating	IP20
Plate Depth	13mm
Terminal Size	16mm <sup>2</sup> (accommodates 4x2.5mm <sup>2</sup> cables)
Terminal Screw Type	Flat Terminal Screw
Mounting Points	84mm / 100mm and Corners
Mounting Screw Type	Combination Flat / Philips Head Screws
Frame Colour (Finish)	Black (Matte)
Plate Colour (Finish)	White / Black (Transparent)
Housing Material	Acrylic / Polycarbonate (PC)
LED Indicators	Blue, White, Green, OFF (selectable through the KASTA app)
Standards Complied	AS/NZS 62368.1, AS/NZS 4268, AS/NZS CISPR 32

### DIMENSIONS



### ORDERING CODE

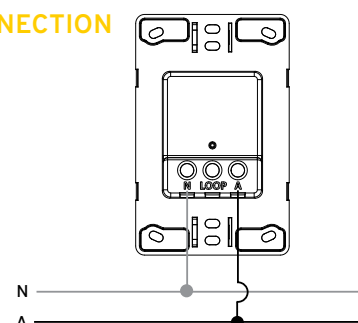
**H5MSMB-WH**  
(plate finish)

WH - White  
BK - Black

### COLOURS



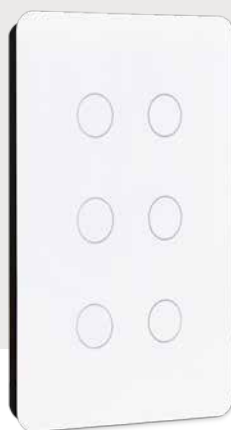
### CONNECTION



# HESPERUS™ Series

## Touch Remote Switch

HCSB



### 1,2,3,4,6-button capacitive touch remote control switch

#### FEATURES

- Slim (13mm plate depth), contemporary design with choice of 15 luxury colours
- Polished glass fascia suitable for hygienic practices
- UV stabilised to avoid discolouring
- Capacitive touch buttons (with haptic feedback) can be programmed to perform a variety of in-room and whole home control functions, for remote control of all KASTA devices
- Button labelling: text can be custom-engraved on the fascia for a personalised design
- Flexibility to program and re-program during and after commissioning
- 8-way multiway control with KASTA dimmer/switch
- Short press for ON/OFF control, long press for dimming or fan speed control
- Timer (when enabled) supports 2 modes; ON>OFF and OFF>ON and retrigged on a button press
- Reliable Bluetooth® mesh network connectivity to all your KASTA devices
- Fits standard first fix mounting accessories (e.g. C-clips, nail brackets, wall boxes). Flush mounting centres (not recessed) for quicker installation. Backed off terminal screws and deep tunnels allow fast fitment of cables. Insulated screw caps hinged to the grid plate to provide IP2X rating on mounting screws.
- iOS and Android app setup and control
- 3 year warranty

#### ORDERING CODE

**H1CSB-WH-ES**

(number of buttons)	(plate finish)	(engraving)
1 - One button configuration	WH - White	AM - Amber
2 - Two button configuration	BK - Black	GN - Green
3 - Three button configuration	SM - Storm	MT - Mint
4 - Four button configuration	GY - Grey	AL - Almond
6 - Six button configuration	BU - Blue	TP - Taupe
	SL - Steel	GD - Gold
	RD - Red	BR - Brown
	CR - Crimson Red	

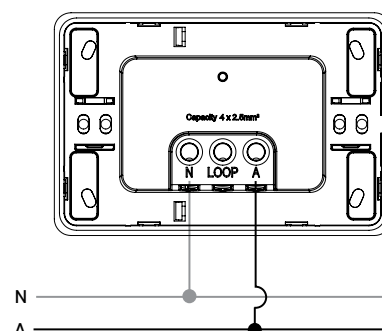
#### SPECIFICATIONS

Power Supply	220-240V a.c. 50Hz
Operating Ambient Temperature	-20 to 40°C
IP Rating	IP20
Plate Depth	13mm
Terminal Size	16mm <sup>2</sup> (accommodates 4x2.5mm <sup>2</sup> cables)
Terminal Screw Type	Flat Terminal Screw
Mounting Points	84mm / 100mm and Corners
Mounting Screw Type	Combination Flat / Philips Head Screws
Frame Colour (Finish)	White / Black (Matte)
Plate Colour (Finish)	15 colours (Transparent)
Housing Material	Tempered Glass / Polycarbonate (PC)
LED Indicators	White
Standards Complied	AS/NZS 62368.1, AS/NZS 4268, AS/NZS CISPR 32

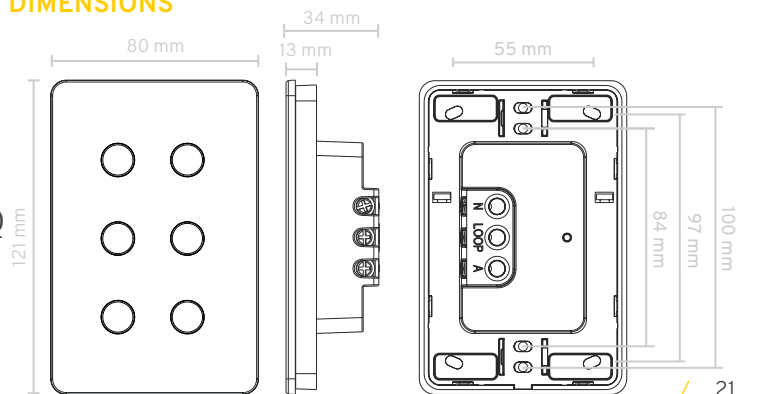
#### COLOURS



#### CONNECTION



#### DIMENSIONS



# HESPERUS™ Series

## Push Remote Switch

HRSMB



### 1 to 6-button push remote control switch

#### FEATURES

- Slim (11mm plate depth), contemporary glass-look design with choice of 2 colours
- UV stabilised to avoid discolouring
- Soft push buttons (with audio feedback) can be programmed to perform a variety of in-room and whole home control functions, for remote control of all KASTA devices
- Proximity sensor activates the device for use
- Button labelling: choose pictogram button caps for a personalised design
- Flexibility to program and re-program during and after commissioning
- 8-way multiway control with KASTA dimmer/switch
- Short press for ON/OFF control, long press for dimming or fan speed control
- Timer (when enabled) supports 2 modes; ON>OFF and OFF>ON and retriggered on a button press
- Reliable Bluetooth® mesh network connectivity to all your KASTA devices
- Fits standard first fix mounting accessories (e.g. C-clips, nail brackets, wall boxes). Flush mounting centres (not recessed) for quicker installation. Backed off terminal screws and deep tunnels allow fast fitment of cables. Insulated screw caps hinged to the grid plate to provide IP2X rating on mounting screws.
- iOS and Android app setup and control
- 3 year warranty

#### ORDERING CODE

<b>H1RSMB-WH</b> (number of buttons)	<b>WH</b> (plate finish)
1 - One button configuration 2 - Two button configuration 3 - Three button configuration 4 - Four button configuration 5 - Five button configuration 6 - Six button configuration	WH - White BK - Black

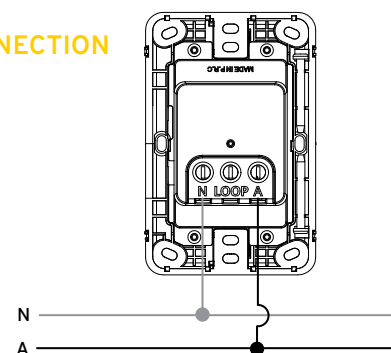
#### SPECIFICATIONS

Power Supply	220-240V a.c. 50Hz
Operating Ambient Temperature	-20 to 40°C
IP Rating	IP20
Plate Depth	11mm
Terminal Size	16mm <sup>2</sup> (accommodates 4x2.5mm <sup>2</sup> cables)
Terminal Screw Type	Flat Terminal Screw
Mounting Points	84mm / 100mm and Corners
Mounting Screw Type	Combination Flat / Philips Head Screws
Feedback	Audio (selectable through the KASTA app)
Frame Colour (Finish)	Black (Matte)
Plate Colour (Finish)	White / Black (Transparent)
Housing Material	Acrylic / Polycarbonate (PC)
LED Indicators	Blue, White, Green (selectable through the KASTA app)
Standards Complied	AS/NZS 62368.1, AS/NZS 4268, AS/NZS CISPR 32

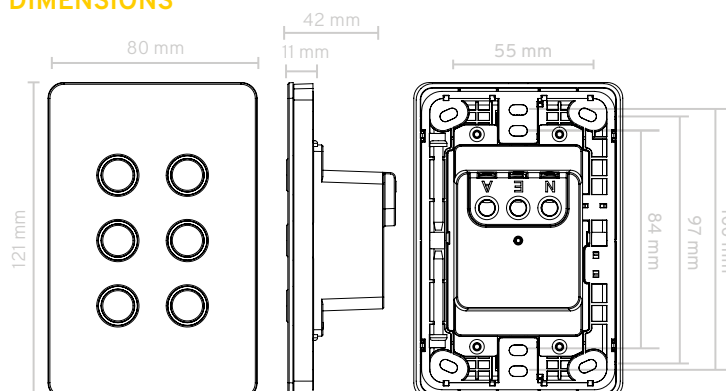
#### COLOURS



#### CONNECTION



#### DIMENSIONS



HESPERUS™ Series

# Unison™ Grid Plate, Cover & Caps

HSVH



1 to 6-button grid plate, cover and button caps for use with KASTA mechanisms.

## FEATURES

- Modern, slim (9.8mm plate depth) design based on traditional classic shape
- UV stabilised to avoid discolouring
- Compatible with all KASTA smart mechanisms
- Fits standard first fix mounting accessories (e.g. C-clips, nail brackets, wall boxes)
- Flush mounting centres (not recessed) for quicker installation
- Backed off terminal screws and deep tunnels allow fast fitment of cables
- Multiple mounting facilities at both 84mm and 103mm, along with corner fixing points
- Insulated screw caps hinged to the grid plate to provide IP2X rating on mounting screws
- 5 year warranty

## SPECIFICATIONS

IP Rating	IP20
Plate Depth	9.8mm
Terminal Size	4.1mm bore (accommodates 4x1.5mm <sup>2</sup> cables)
Terminal Screw Type	Flat Terminal Screw
Mounting Points	84mm / 103mm and Corners
Mounting Screw Type	Combination Flat / Philips Head Screws
Frame Colour (Finish)	Black (Gloss)
Plate Colour (Finish)	White / Black (Transparent)
Housing Material	Acrylic / Polycarbonate (PC)

## COLOURS

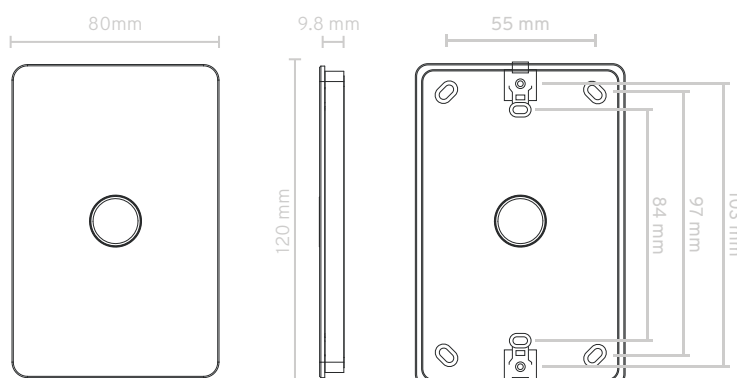



## ORDERING CODE

**H1SVH-WH**

(number of buttons)	(plate finish)
1 - One button configuration	WH - White
2 - Two button configuration	BK - Black
3 - Three button configuration	
4 - Four button configuration	
5 - Five button configuration	
6 - Six button configuration	

## DIMENSIONS



 This product can be purchased through your preferred electrical wholesaler.



# Unison™ 240V Switch

HASV



## 1 to 6-button assembled switch

### FEATURES

- Modern, slim (9.8mm plate depth) glass-look design based on traditional classic shape
- UV stabilised to avoid discolouring
- Switch apertures acceptive of KASTA mechanisms
- Fits standard first fix mounting accessories (e.g. C-clips, nail brackets, wall boxes)
- Flush mounting centres (not recessed) for quicker installation
- Backed off terminal screws and deep tunnels allow fast fitment of cables
- Multiple mounting facilities at both 84mm and 103mm, along with corner fixing points
- Insulated screw caps hinged to the grid plate to provide IP2X rating on mounting screws
- 5 year warranty

### ORDERING CODE

**H1ASV-WH**

(number of buttons)

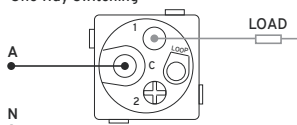
(plate finish)

- 1 - One switch configuration
- 2 - Two switch configuration
- 3 - Three switch configuration
- 4 - Four switch configuration
- 5 - Five switch configuration
- 6 - Six switch configuration

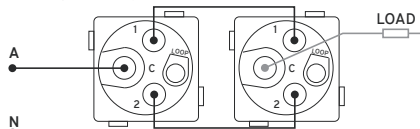
WH - White  
BK - Black

### CONNECTION

#### One Way Switching



#### Two Way Switching



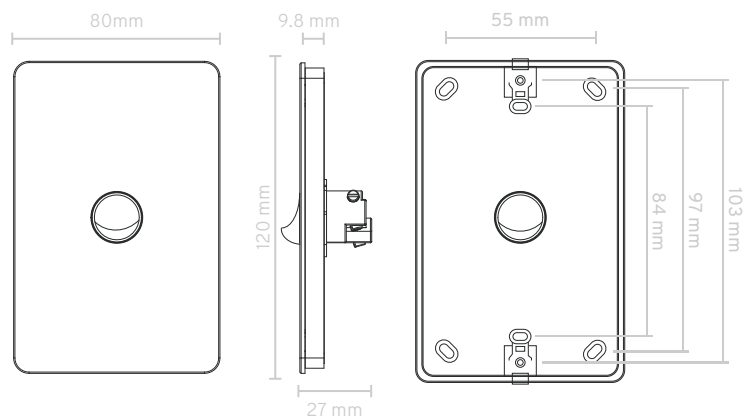
### SPECIFICATIONS

Power Supply	220-240V a.c.
Current Rating	10A
Operating Ambient Temperature	-20 to 40°C
IP Rating	IP20
Plate Depth	9.8mm
Terminal Size	4.1mm bore (accommodates 4x1.5mm <sup>2</sup> cables)
Terminal Screw Type	Flat Terminal Screw
Mounting Points	84mm / 103mm and Corners
Mounting Screw Type	Combination Flat / Philips Head Screws
Frame Colour (Finish)	Black (Gloss)
Plate Colour (Finish)	White / Black (Transparent)
Housing Material	Acrylic / Polycarbonate (PC)
Standards Complied	AS/NZS 3100, AS/NZS 3133

### COLOURS



### DIMENSIONS



This product can be purchased through your preferred electrical wholesaler.

# Unison™ Grid Plate, Cover & Caps

EGSVH



**1 to 6-button grid plate and cover for use with KASTA mechanisms.**

## FEATURES

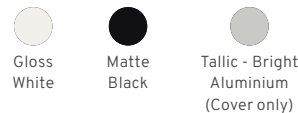
- Modern, slim (7.8mm plate depth) contemporary design based on traditional classic shape
- UV stabilised to avoid discolouring
- Switch apertures acceptive of KASTA mechanisms and traditional 30 Series\* mechanism designs, subject to clearance of rear terminal arrangement
- Fits standard first fix mounting accessories (e.g. C-clips, nail brackets, wall boxes)
- Flush mounting centres (not recessed) for quicker installation
- Backed off terminal screws and deep tunnels allow fast fitment of cables
- Insulated screw caps hinged to the grid plate to provide IP2X rating on mounting screws
- 5 year warranty

\*30 Series mechanism shape is a trademark of Schneider Electric (Australia) Pty. Ltd.

## SPECIFICATIONS

IP Rating	IP20
Plate Depth	7.8mm
Terminal Size	4.1mm bore (accommodates 4x1.5mm <sup>2</sup> cables)
Terminal Screw Type	Flat Terminal Screw
Mounting Points	84mm / 103mm and Corners
Mounting Screw Type	Combination Flat / Philips Head Screws
Plate Colour (Finish)	White (Gloss) / Black (Matte)
Housing Material	Polycarbonate (PC)

## COLOURS



## ORDERING CODE

**EG1SVH-WH**

(number of buttons)

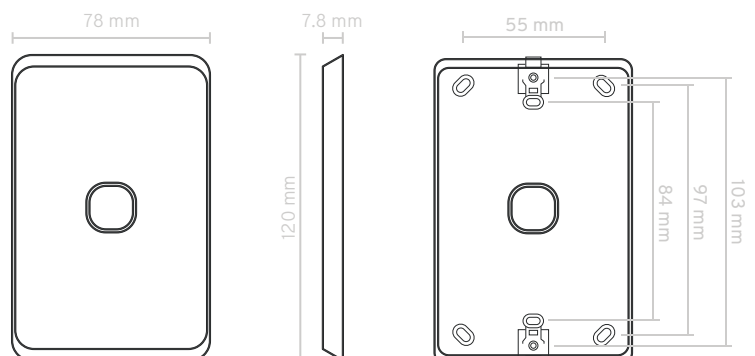
(plate finish)


- 1 - One button configuration
- 2 - Two button configuration
- 3 - Three button configuration
- 4 - Four button configuration
- 5 - Five button configuration
- 6 - Six button configuration

- WH - White
- MBK - Matte Black

To order Tallic Bright Aluminium Cover accessory use code TL1SC-BA

## DIMENSIONS



 This product can be purchased through your preferred electrical wholesaler.

# Unison™ 240V Switch

EGASV



## 1 to 6-button assembled switch

### FEATURES

- Modern, slim (7.8mm plate depth) contemporary design based on traditional classic shape
- UV stabilised to avoid discolouring
- Switch apertures acceptive of KASTA mechanisms and traditional 30 Series\* mechanism designs, subject to clearance of rear terminal arrangement
- Fits standard first fix mounting accessories (e.g. C-clips, nail brackets, wall boxes)
- Flush mounting centres (not recessed) for quicker installation
- Backed off terminal screws and deep tunnels allow fast fitment of cables
- Insulated screw caps hinged to the grid plate to provide IP2X rating on mounting screws
- 5 year warranty

\*30 Series mechanism shape is a trademark of Schneider Electric (Australia) Pty. Ltd.

### ORDERING CODE

**EG1ASV-WH**

(number of buttons)

(plate finish)

- 1 - One switch configuration
- 2 - Two switch configuration
- 3 - Three switch configuration
- 4 - Four switch configuration
- 5 - Five switch configuration
- 6 - Six switch configuration

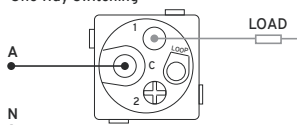
WH - White

MBK - Matte Black

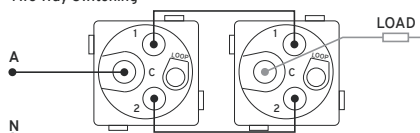
To order Tallic Bright Aluminium Cover accessory use code TL1SC-BA

### CONNECTION

One Way Switching



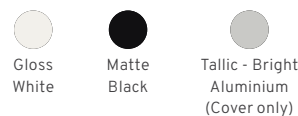
Two Way Switching



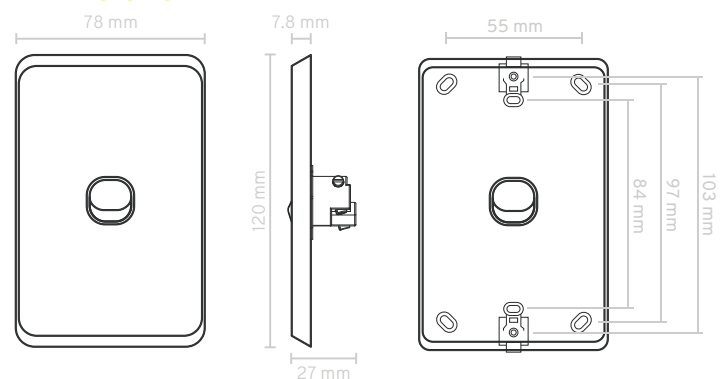
### SPECIFICATIONS

Power Supply	220-240V a.c.
Operating Ambient Temperature	-20 to 40°C
IP Rating	IP20
Plate Depth	7.8mm
Terminal Size	4.1mm bore (accommodates 4x1.5mm <sup>2</sup> cables)
Terminal Screw Type	Flat Terminal Screw
Mounting Points	84mm / 103mm and Corners
Mounting Screw Type	Combination Flat / Philips Head Screws
Plate Colour (Finish)	White (Gloss) / Black (Matte)
Housing Material	Polycarbonate (PC)
Standards Complied	AS/NZS 3100, AS/NZS 3133

### COLOURS



### DIMENSIONS



This product can be purchased through your preferred electrical wholesaler.

# Handheld Remote

KASTA-5BCBH-W



## 5-button battery powered, capacitive touch, handheld remote controller

### FEATURES

- Reliable Bluetooth® mesh network connectivity for control of all your KASTA devices
- Lithium battery powered remote controller
- Short press for ON/OFF control
- Long press for dimming control (where KASTA dimming devices are used)
- Supports core KASTA functionality - control devices, groups and scenes
- Built-in magnetic base provides additional mounting options
- User-replaceable CR2032 batteries
- iOS and Android app setup and control
- 3 year warranty (excluding batteries)

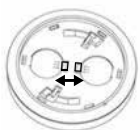
### BATTERY REPLACEMENT



Rotate cover anti-clockwise to remove



Remove screw and battery retainer

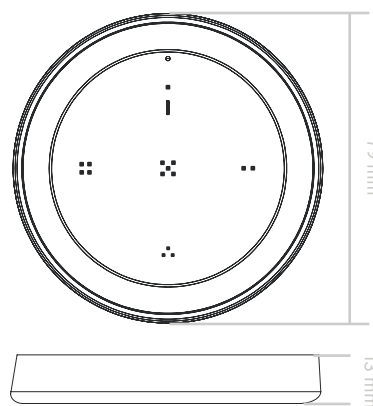


Squeeze tabs to remove batteries

### SPECIFICATIONS

Power Supply	CR2032 Lithium Battery x2
Battery Life	Up to 1 year (approx. 50,000 presses)
Operating Ambient Temperature	0 to 40°C
IP Rating	IP20
Mounting	Built-in magnetic base for mounting to metal surfaces
Colour	White
Housing Material	Polycarbonate (PC)
LED Indicators	Blue (activates on button push)
Standards Complied	AS/NZS 4268, AS/NZS CISPR 15, AS/NZS 60598.1 (part thereof)

### DIMENSIONS





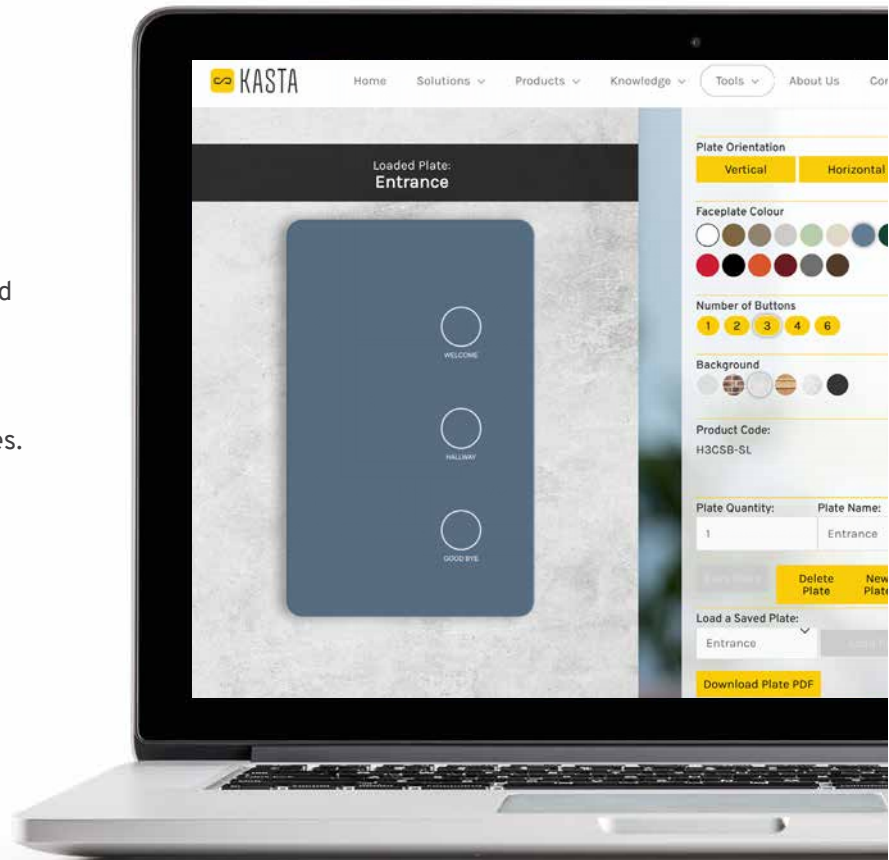
# Labelling service

KASTA's unique labelling service makes identifying buttons easy. Customise your wall plate and personalise your control labels to suit individual button functionalities, including KASTA scenes and groups. Available in vertical or horizontal orientation.

## KASTA DESIGN STUDIO >

<https://kasta.com.au/kasta-design-studio/>

Enjoy simple configuration for your Hesperus Touch interfaces with options for plate orientation, button configurations, 15 designer plate colours, customisable label engraving and various background choices for the ultimate visualisation tool. You can even download your saved plate configurations to assist when ordering your Hesperus Touch switch interfaces.



*Custom engraving is available for all Hesperus™ Touch remote switches*



# Mechanism button caps

A modern range of mechanism button caps are available to suit KASTA mechanisms for use in KASTA Unison™ switch plates as well as other commonly used plates from brands such as Clipsal®, HPM® and Legrand®.

White Standard



Black Standard



Pictogram



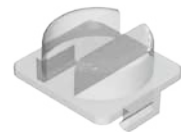
Square Style



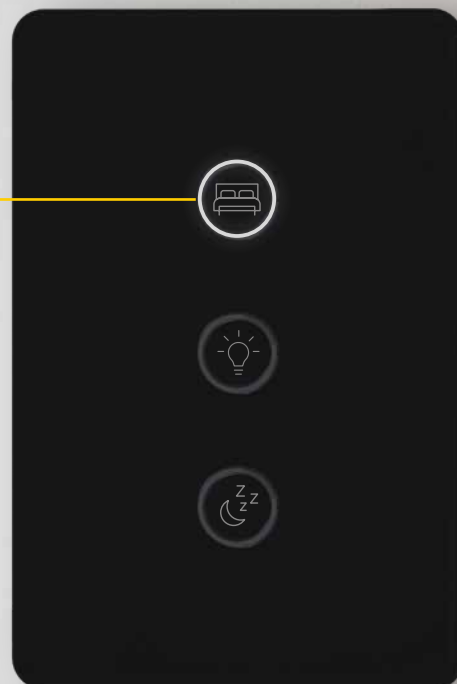
Round Style



Adaptor Cap



*Pictogram button caps are available for Hesperus™ Push remote switches and are also suitable for all KASTA mechanisms inserted into Unison™ switch plates*



# Lighting control

A comprehensive range of lighting controls to help create the perfect mood, including switches and dimmers.

## SLEEP SCENE

- > Bedroom downlights to OFF
- > Curtains and blinds to CLOSE

Activate your custom scene by pressing a remote switch button, via the KASTA app, or via voice control

Create a custom scene using the KASTA app to programme multiple KASTA devices to work in harmony together.







# Battery Powered Remote Switch Mechanism

KASTA-RB02-W

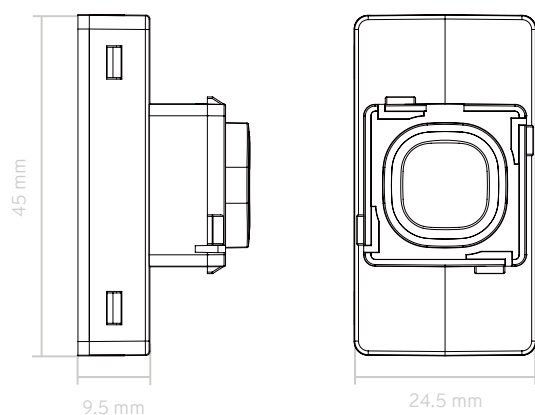


Smart battery powered remote switch mechanism that clips into standard wall plate

## FEATURES

- Reliable Bluetooth® mesh network connectivity for control of all your KASTA devices
- Lithium battery powered remote switch control
- Short press for ON/OFF control
- Long press for dimming control (where KASTA dimming devices are used)
- Supports core KASTA functionality - control devices, groups and scenes
- Suits most Australian wall plates
- Supplied with White button caps (2 x styles)
- iOS and Android app setup and control
- 3 year warranty (excluding batteries)

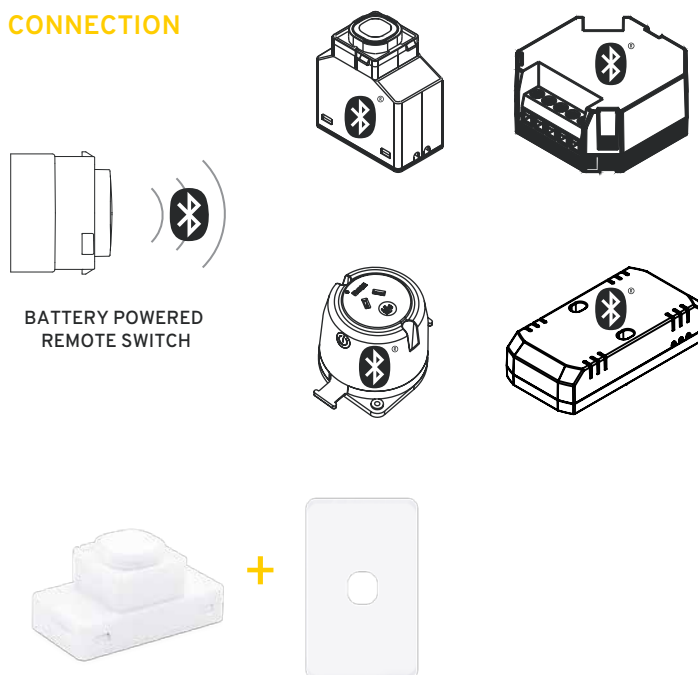
## DIMENSIONS



## SPECIFICATIONS

Power Supply	CR2032 Lithium Battery x2
Battery Life	Up to 1 year (approx. 50,000 presses)
Operating Ambient Temperature	-20 to 40°C
IP Rating	IP20
Housing Material	Polycarbonate (PC)
LED Indicators	Blue
Standards Complied	AS/NZS 4268, AS/NZS CISPR 15

## CONNECTION



## PRE-ASSEMBLED MECH-IN-PLATE ORDERING CODES

# OF BUTTONS	SERIES	PRODUCT CODE	SAP CODE
1	EDGY	EG1ASRB02-WH	3500134
	HESPERUS	H1ASRB02-WH	3500137
2	EDGY	EG2ASRB02-WH	3500135
	HESPERUS	H2ASRB02-WH	3500138
3	EDGY	EG3ASRB02-WH	3500136
	HESPERUS	H3ASRB02-WH	3500139



# Remote Switch Mechanism

KASTA-1BMBH-W



Smart push button remote switch mechanism that clips into standard wall plate

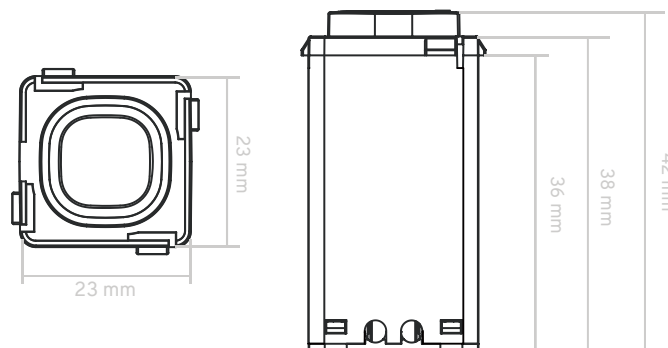
## FEATURES

- Reliable Bluetooth® mesh network connectivity for control of all your KASTA devices
- 2-wire connection for mains power
- Slim design allows installation up to 6 onto a standard wall plate
- Timer (when enabled) supports 2 modes; ON>OFF and OFF>ON and retriggered on a button press
- Short press for ON/OFF control
- Long press for dimming control (where KASTA dimming devices are used)
- Supports core KASTA functionality - control devices, groups, scenes, timers and scheduling
- Suits most Australian wall plates
- Supplied with White button caps (2 x styles)
- iOS and Android app setup and control
- 3 year warranty

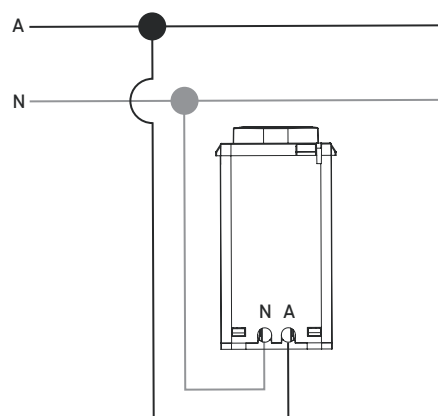
## SPECIFICATIONS

Power Supply	220-240V a.c. 50Hz
Operating Ambient Temperature	-20 to 40°C
IP Rating	IP20
Physical Connection Type	Fly leads
Wiring Connections	Active & Neutral
Housing Material	Polycarbonate (PC)
LED Indicators	Blue
Standards Complied	AS/NZS 60950.1, AS/NZS CISPR 15, AS/NZS 4268

## DIMENSIONS



## CONNECTION



# Dimmer Mechanism

KASTA-DM300BH-W

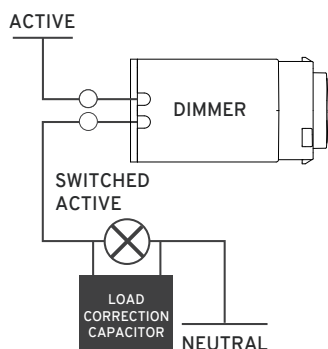


Smart push button dimmer mechanism (phase cut trailing edge) that clips into standard wall plate

## FEATURES

- Mains powered phase cut trailing edge (TE) dimmer
- 2-wire connection for easy installation
- Slim design allows installation up to 6-gang onto a standard wall plate
- Reliable Bluetooth® mesh network connectivity to all your KASTA devices
- 8-way multiway control
- Short press for ON/OFF control
- Long press for dimming control
- Over-current protection
- Supports core KASTA functionality - control devices, groups, scenes, timers and scheduling
- Suits most Australian wall plates
- Supplied with White button caps (2 x styles)
- iOS and Android app setup and control
- 3 year warranty

## CONNECTION



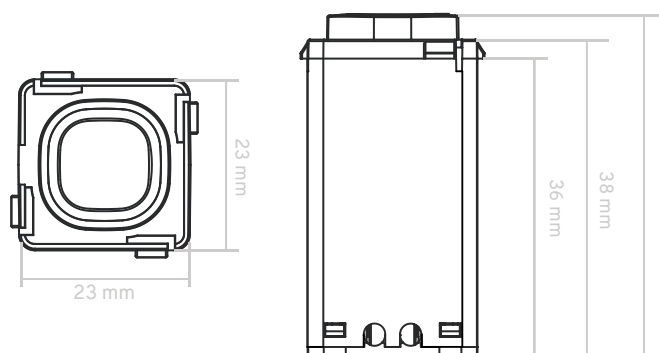
## SPECIFICATIONS

Power Supply	220-240V a.c. 50Hz
Operating Ambient Temperature	-20 to 40°C
IP Rating	IP20
Thermal Derating	25 to 40°C (300W-100W)
Physical Connection Type	Fly leads
Wiring Connections	Active & Load
LED Load Wattage	3W* - 300W**
Dimming Method	Phase Cut Trailing Edge
Dimming Range	2-100%
Multi-gang Derating	2-270W, 3-240W, 4-200W, 5-150W, 6-100W @ 25°C
Housing Material	Polycarbonate (PC)
LED Indicators	Blue
Standards Complied	AS/NZS 60669.2.1, AS/NZS 60669.1, AS/NZS CISPR 15, AS/NZS 4268

\*May require load correct capacitor if less than 15W (supplied in box).

\*\*Maximum load is based on Haneco Dimmable LED drivers. Other LED loads may not be compatible. Contact the manufacturer for compatibility advice.

## DIMENSIONS



# Switch Relay Mechanism

KASTA-RM1440BH-W

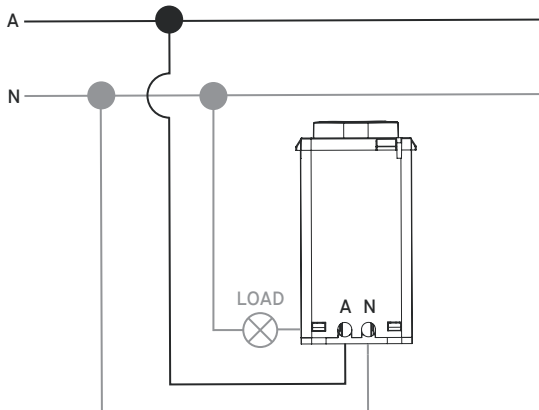


## Smart push button switch relay mechanism that clips into standard wall plate

### FEATURES

- Max. load 1440W or 100W motor
- Slim design allows installation up to 6 onto a standard wall plate
- Reliable Bluetooth® mesh network connectivity to all your KASTA devices
- 8-way multiway control
- Short press for ON/OFF control
- Over-current protection
- Supports core KASTA functionality - control devices, groups, scenes, timers and scheduling
- Suits most Australian wall plates
- Supplied with White button caps (2 x styles)
- iOS and Android app setup and control
- 3 year warranty

### CONNECTION

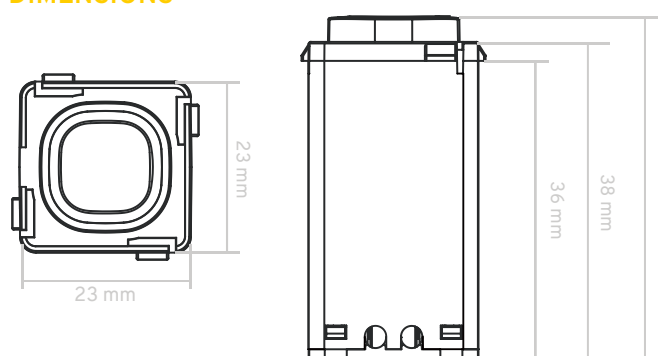


### SPECIFICATIONS

Power Supply	220-240V a.c. 50Hz
Operating Ambient Temperature	-20 to 40°C
IP Rating	IP20
Thermal Derating	25 to 40°C (1440W-475W)
Physical Connection Type	Fly leads
Wiring Connections	Active, Load & Neutral
LED Load Wattage	15W - 1440W*, M.5
Multi-gang Derating	2-1300W, 3-1150W, 4-950W, 5-720W, 6-475W @ 25°C
Housing Material	Polycarbonate (PC)
LED Indicators	Blue
Standards Complied	CoS SAA 183650, AS/NZS 60669.2.1, AS/NZS 60669.1, AS/NZS CISPR 15, AS/NZS 4268

\*May require load correct capacitor if less than 15W (supplied in box). Suitable for use with small fan motors <100W (0.5A @ 0.8pF).

### DIMENSIONS



# Dimmer Surface Socket

KBSKTD350



Smart dimmer socket plug base (phase cut trailing edge) that can be ceiling or surface mounted

## FEATURES

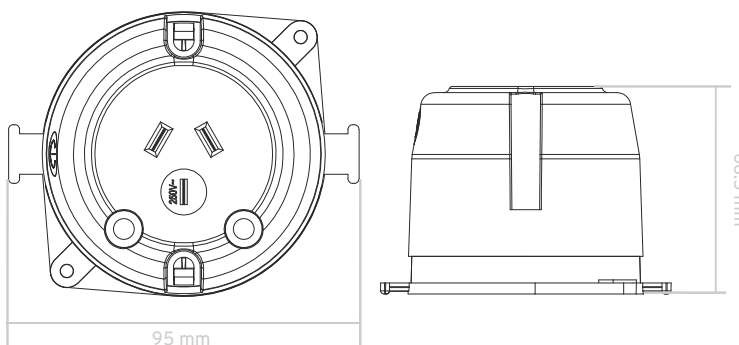
- Max. load 350W
- Suits 3 pin plug
- Reliable Bluetooth® mesh network connectivity to all KASTA devices
- Can connect up to multiple circuits (within rated power rating)
- LED status indicator
- Reset button
- IPA stud provision for circuit identification
- Supports core KASTA functionality - control devices, groups, scenes, timers and scheduling
- Striking colour for easy identification in roof space
- Transparent nail plate for easy inspection of connections
- Multiple fixing points including external tabs for cable ties, clouts and screws
- Combination Flat & Philips terminal head screws
- Terminals to accept up to 4 x 2.5mm<sup>2</sup> cables
- iOS and Android app setup and control
- 3 year warranty

## SPECIFICATIONS

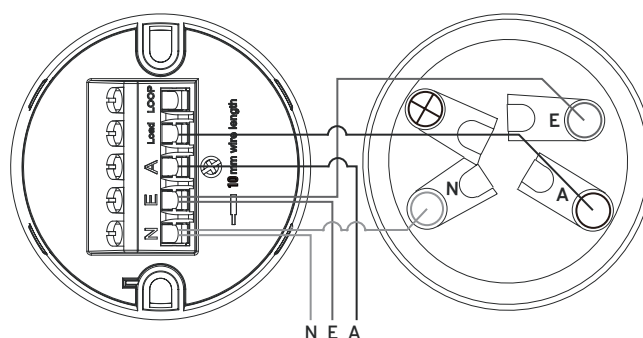
Power Supply	220-240V a.c. 50Hz
Operating Ambient Temperature	-20 to 40°C
IP Rating	IP20
Thermal Derating	40 to 60°C (350W-250W)
Wiring Connections	Active, Load, Neutral, Earth & Loop
LED Load Wattage	350W, 1.4A*
Dimming Method	Phase Cut Trailing Edge
Dimming Range	2-100%
Downlight Cutout Size	Ø90mm
Housing Material	Polycarbonate (PC)
Standards Complied	AS/NZS 3112, AS/NZS 3100, AS/NZS 60669.2.1, AS/NZS 60669.1, AS/NZS CISPR 15

\*Maximum load is based on Haneco Dimmable LED drivers. Other LED loads may not be compatible. Contact the manufacturer for compatibility advice.

## DIMENSIONS



## CONNECTION



# Relay Surface Socket

KBSKTR2400



Smart relay socket plug base that can be ceiling or surface mounted

## FEATURES

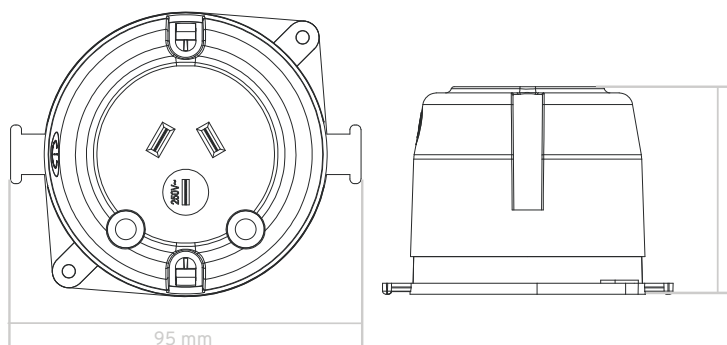
- Max. load 2400W or 100W motor
- Suits 3 pin plug
- Reliable Bluetooth® mesh network connectivity to all KASTA devices
- Energy monitoring function
- Can connect up to multiple circuits (within rated power rating)
- LED status indicator
- Reset button
- IPA stud provision for circuit identification
- Supports core KASTA functionality - control devices, groups, scenes, timers and scheduling
- Striking colour for easy identification in roof space
- Transparent nail plate for easy inspection of connections
- Multiple fixing points including external tabs for cable ties, clouts and screws
- Combination Flat & Philips terminal head screws
- Terminals to accept up to 4 x 2.5mm<sup>2</sup> cables
- iOS and Android app setup and control
- 3 year warranty

## SPECIFICATIONS

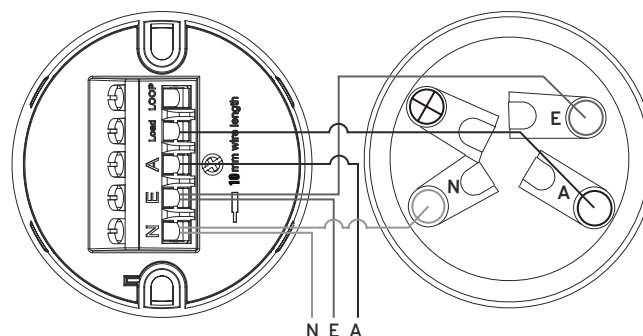
Power Supply	220-240V a.c. 50Hz
Operating Ambient Temperature	-20 to 40°C
IP Rating	IP20
Thermal Derating	40 to 60°C (2400W-1200W)
Wiring Connections	Active, Load, Neutral, Earth & Loop
Load Wattage	2400W, 10A*, M.40
Downlight Cutout Size	Ø90mm
Housing Material	Polycarbonate (PC)
Standards Complied	AS/NZS 3112, AS/NZS 3100, AS/NZS 60669.2.1, AS/NZS 60669.1, AS/NZS CISPR 15

\*May require load correct capacitor if less than 15W (supplied in box).

## DIMENSIONS



## CONNECTION





# Dimmer Module

KASTA-D300IBH

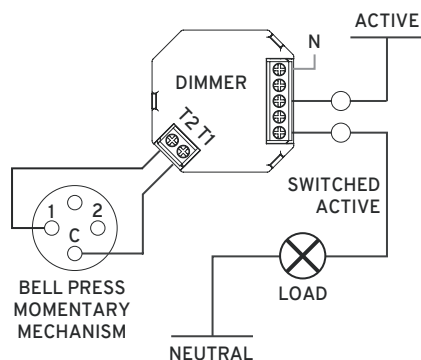


Smart dimmer module (phase cut trailing edge) that can be fitted behind a standard wall switch plate and connects to a momentary push button mechanism

## FEATURES

- Phase cut trailing edge (TE) dimmer
- 5-wire connection for power, load and momentary push button mechanism
- Reliable Bluetooth® mesh network connectivity to all KASTA devices
- 8-way multiway control
- Short press for ON/OFF control
- Long press for dimming control
- Over-current protection
- Supports core KASTA functionality - control devices, groups, scenes, timers and scheduling
- Suits all Australian standard wall plates using a momentary mechanism
- iOS and Android app setup and control
- 3 year warranty

## CONNECTION

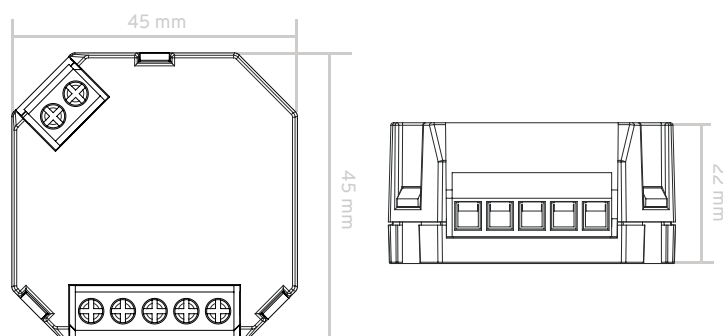


// 38 //

## SPECIFICATIONS

Power Supply	220-240V a.c. 50Hz
Operating Ambient Temperature	-20 to 40°C
IP Rating	IP20
Thermal Derating	25 to 40°C (300W-165W)
Physical Connection Type	Terminals
Wiring Connections	Active, Neutral, Load & Momentary Mechanism
Momentary Input (T1/T2)	Local signal input only (not 240V a.c.) Max. wiring length between T1/T2 and momentary mechanism is 10m
LED Load Wattage	2W to 300W
Dimming Method	Phase Cut Trailing Edge
Dimming Range	2-100%
Multi-gang Derating	2-225W, 3-165W @ 25°C
Housing Material	Polycarbonate (PC)
Standards Complied	CoS SAA 183649, AS/NZS 60669.2.1, AS/NZS 60669.1, AS/NZS CISPR 15, AS/NZS 4268

## DIMENSIONS



# Switch Relay Module

KASTA-S2400IBH

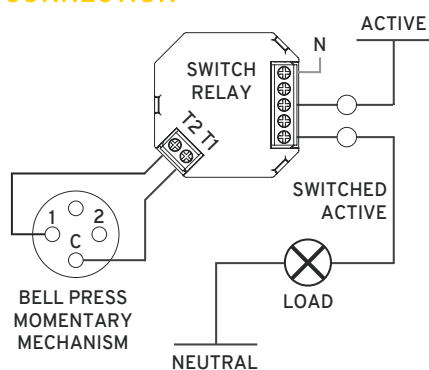


Smart switch relay module that can be fitted behind a standard wall switch plate and connects to a momentary push button mechanism

## FEATURES

- 5-wire connection for power, load and momentary push button mechanism
- Reliable Bluetooth® mesh network connectivity to all KASTA devices
- 8-way multiway control
- Short press for ON/OFF control
- Over-current protection
- Supports core KASTA functionality - control devices, groups, scenes, timers and scheduling
- Suits all Australian standard wall plates using a momentary mechanism
- iOS and Android app setup and control
- 3 year warranty

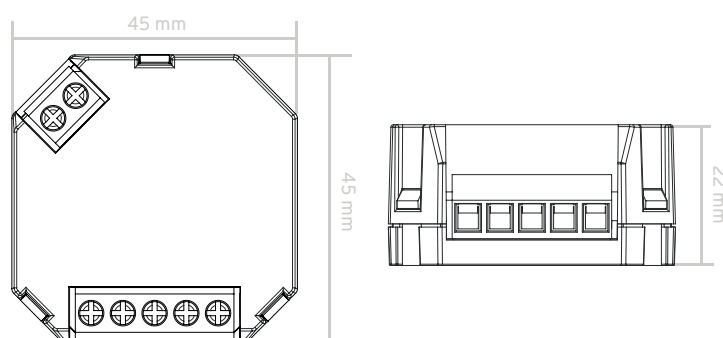
## CONNECTION



## SPECIFICATIONS

Power Supply	220-240V a.c. 50Hz
Operating Ambient Temperature	-20 to 40°C
IP Rating	IP20
Thermal Derating	25 to 40°C (2400W-1200W)
Physical Connection Type	Terminals
Wiring Connections	Active, Neutral, Load & Momentary Mechanism
Momentary Input (T1/T2)	Local signal input only (not 240V a.c.) Max. wiring length between T1/T2 and momentary mechanism is 10m
LED Load Wattage	2W to 2400W
Multi-gang Derating	2-1800W, 3-1320W @ 25°C
Housing Material	Polycarbonate (PC)
Standards Complied	CoS SAA 183649, AS/NZS 60669.2.1, AS/NZS 60669.1, AS/NZS CISPR 15, AS/NZS 4268

## DIMENSIONS



# Warehouse/Industrial Lighting control

Utilise daylight harvesting sensors to reduce energy costs for a truly efficient workspace or storage facility. Daylight harvesting lighting control systems are designed to take full advantage of the natural light sources in your building to deliver optimal lighting performance and reductions in power costs.





*The daylight sensor and 1-10V dimmer are used together to achieve daylight harvesting control of LED highbay lighting. Additionally, the 1-10V dimmer can be used for wall switch dimming control, multiway and group control, plus automation functions such as schedules, timers and scenes.*

# 0-10V Dimmer

D1-10VIBH

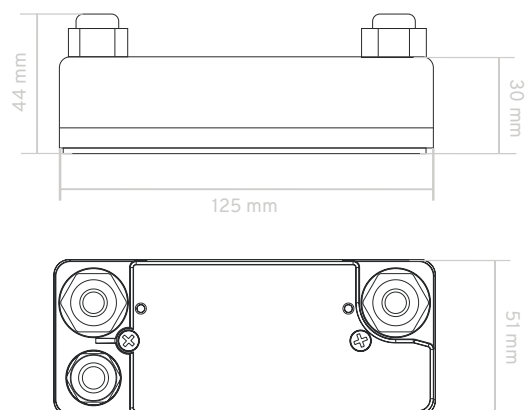


## Smart 0-10V dimmer for dimming control of LED highbay lighting

### FEATURES

- 0-10V dimmer (suits luminaires with 1-10V input control)
- Used in combination with the KASTA Daylight Sensor for daylight harvesting control of LED highbays
- Reliable Bluetooth® mesh network connectivity to all KASTA devices
- 8-way multiway control
- High temperature rated
- IP65 rated
- Over temperature protection
- Includes 2m flex and plug lead
- Installed onto an LED highbay using the HANECO Multi-purpose Sensor Bracket (product code: SENSOR-BRKT)
- iOS and Android app setup and control
- 3 year warranty

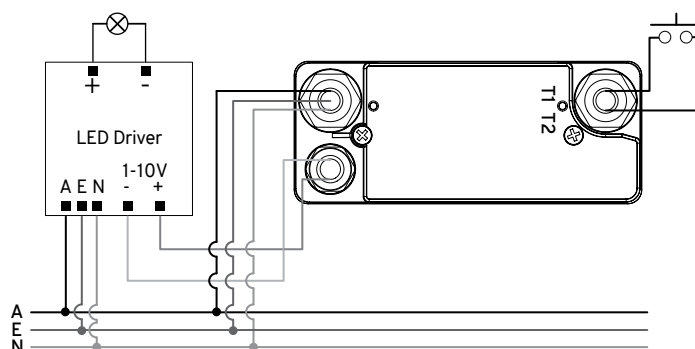
### DIMENSIONS



### SPECIFICATIONS

Power Supply	220-240V a.c. 50/60Hz
Operating Ambient Temperature	-20 to 50°C
IP Rating	IP65
Physical Connection Type	3-pin plug, Fly Leads
No Load Standby Power	<1W
Wiring Connections	Active, Neutral, Earth (3-pin plug), 1-10V Dimmer Output & Momentary Mechanism
Momentary Input (T1/T2)	Local signal input only (not 240V a.c.)
Maximum Output Current	40mA
Maximum Number of Drivers	30
Dimming Method	0-10V Dimming
Dimming Range	0-100%
Weight	355g
Housing Material	Polycarbonate (PC)
Standards Complied	AS/NZS 60669.2.1, AS/NZS 60669.1, AS/NZS CISPR 15, AS/NZS 4268

### CONNECTION





# Daylight Sensor

SL02AB-BH

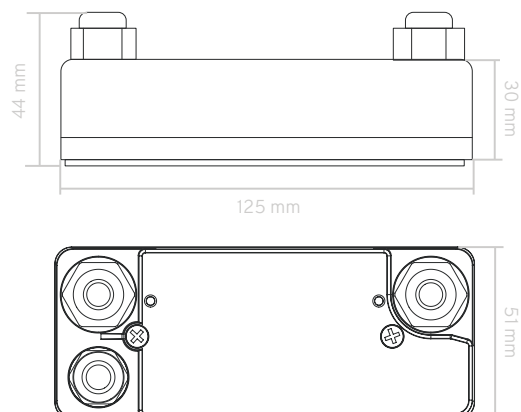


Smart daylight sensor that works with the Smart 0-10V Dimmer for daylight harvesting control of LED highbay lighting

## FEATURES

- Mains powered ambient daylight sensor
- Used in combination with the KASTA 0-10V Dimmer for daylight harvesting control of LED highbays
- Reliable Bluetooth® mesh network connectivity with multiple KASTA 0-10V dimmers for group control
- Use the KASTA app to disable the sensor for manual control of lighting via the app
- High temperature rated
- IP65 rated
- Includes 2m flex and plug lead
- Installed onto an LED highbay using the HANECO Multi-purpose Sensor Bracket (product code: SENSOR-BRKT)
- iOS and Android app setup and control
- 3 year warranty

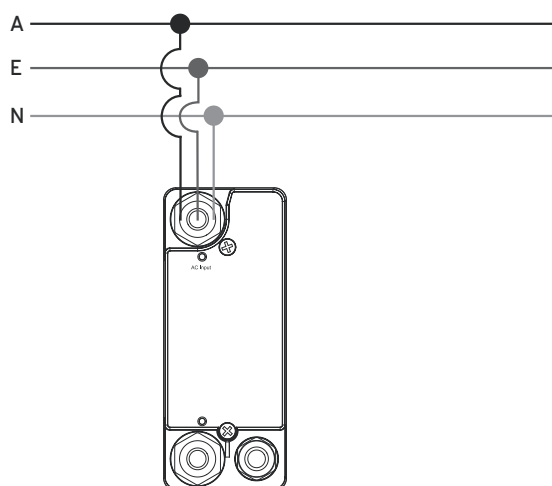
## DIMENSIONS



## SPECIFICATIONS

Power Supply	220-240V a.c. 50/60Hz
Operating Ambient Temperature	-20 to 50°C
IP Rating	IP65
Physical Connection Type	3-pin plug
No Load Standby Power	<1W
Wiring Connections	Active, Neutral & Earth (3-pin plug)
Maximum Operation Current	5mA
Maximum Number of paired KASTA 0-10V Dimmers	10
Weight	255g
Housing Material	Polycarbonate (PC)
Standards Complied	AS/NZS 60669.2.1, AS/NZS 60669.1, AS/NZS CISPR 15, AS/NZS 4268

## CONNECTION



# Power control

Safe, energy-efficient smart powerpoints are easily set up to make managing electronic devices even easier, more energy-efficient and with premium safety features like child-lock.







**GOOD MORNING SCENE**

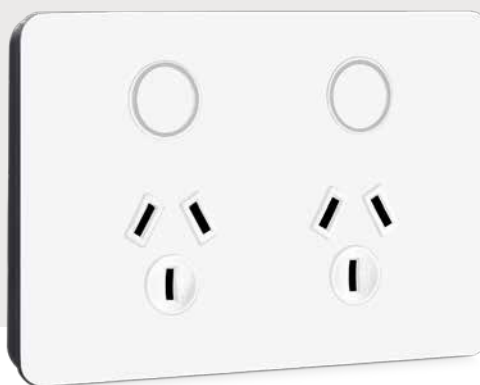
- > Coffee machine to ON
  - > Kitchen lights to ON
  - > Curtains and blinds to OPEN
- Activate your custom scene via the KASTA app or voice control

Create a custom scene using the KASTA app to programme multiple KASTA devices to work in harmony together.

# HESPERUS™ Series

## Powerpoint

H2PPHB



### Double horizontal smart powerpoint with individual outlet control

#### FEATURES

- Slim (10mm plate depth), contemporary, glass-look design with choice of 15 luxury colours
- Soft press push button operation with LED status indication
- UV stabilised to avoid discolouring
- Reliable Bluetooth® mesh network connectivity
- Short press for ON/OFF control
- Child lock enable/disable via local switch button or app
- Individual control and energy monitoring for each outlet
- Over-current, over-voltage, over-temperature protection
- Auto-recovery if fault is removed (settings retained)
- Groups, scenes, timers and scheduling functionalities
- Fits standard first fix mounting accessories (e.g. C-clips, nail brackets, wall boxes)
- Flush mounting centres (not recessed) for quick installation
- Backed off terminal screws and deep guided cable terminals allow for fast fitment of cables
- Multiple mounting facilities at both 84mm and 100mm, along with corner fixing points
- Insulated screw caps hinged to the grid plate to provide IP2X rating on mounting screws
- Colour coded terminals for ease of identification
- iOS and Android app setup and control
- 3 year warranty

#### SPECIFICATIONS

Power Supply	220-240V a.c. 50Hz
Operating Ambient Temperature	-20 to 40°C
IP Rating	IP20
Current Rating	10A
Energy Monitor	0.01A to 10A
Plate Depth	10mm
Terminal Size	16mm <sup>2</sup> (accommodates 4x2.5mm <sup>2</sup> cables)
Terminal Screw Type	Combination Flat/Philips head
Mounting Points	84mm / 100mm and Corners
Mounting Screw Type	Combination Flat/Philips head
Frame Colour (Finish)	White / Black (Matte)
Plate Colour (Finish)	15 colours (Transparent)
Housing Material	Acrylic / Polycarbonate (PC)
LED Indicators	Blue (ON) / Green (Child Lock)
Standards Complied	CoS SAA 183650, AS/NZS 60669.2.1, AS/NZS 60669.1, AS/NZS CISPR 15, AS/NZS 4268

#### ORDERING CODE

H2PPHB-WH

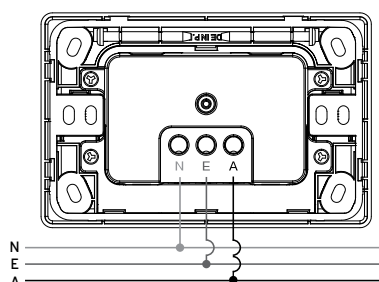
(plate finish)

WH - White	AM - Amber
BK - Black	GN - Green
SM - Storm	MT - Mint
GY - Grey	AL - Almond
BU - Blue	TP - Taupe
SL - Steel	GD - Gold
RD - Red	BR - Brown
CR - Crimson Red	

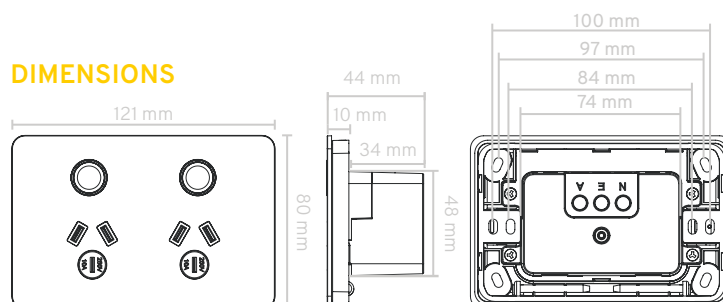
#### COLOURS



#### CONNECTION



#### DIMENSIONS



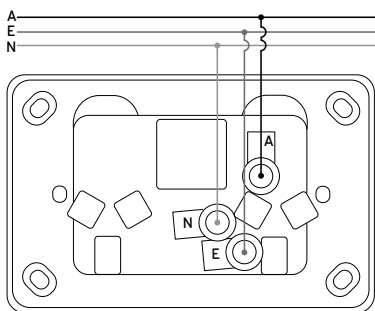


## Double horizontal powerpoint

### FEATURES

- Slim (9.8mm plate depth), contemporary, glass-look design
- UV stabilised to avoid discolouring
- Fits standard first fix mounting accessories (e.g. C-clips, nail brackets, wall boxes)
- Flush mounting centres (not recessed) for quicker installation
- Deep guided cable terminals allow for fast fitment of cables
- Multiple mounting facilities at both 84mm and 100mm, along with corner fixing points
- Colour coded terminals for ease of identification
- Suitable for loads that use plugs with two or three flat pins
- 5 year warranty

### CONNECTION



### SPECIFICATIONS

Power Supply	220-240V a.c.
Operating Ambient Temperature	-20 to 40°C
IP Rating	IP20
Current Rating	10A
Plate Depth	9.8mm
Terminal Size	16mm <sup>2</sup> (accommodates 4x2.5mm <sup>2</sup> cables)
Terminal Screw Type	Combination Flat/Philips head
Mounting Points	84mm / 100mm and Corners
Mounting Screw Type	Combination Flat/Philips head
Frame Colour (Finish)	Black (Gloss)
Plate Colour (Finish)	White / Black (Transparent)
Housing Material	Acrylic / Polycarbonate (PC)
Standards Complied	AS/NZS 3112, AS/NZS 3100

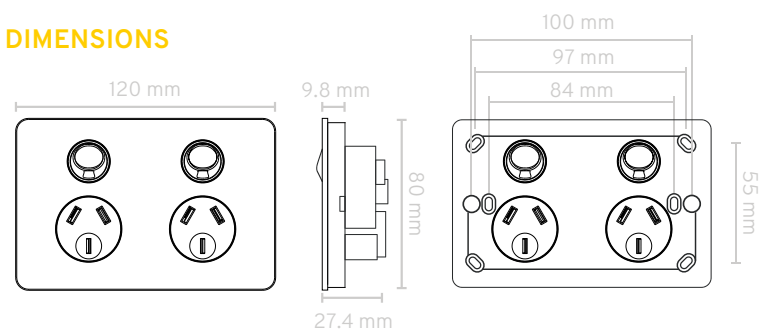
### ORDERING CODE

**H2PPH-WH**  
 (plate finish)  
 WH - White  
 BK - Black

### COLOURS



### DIMENSIONS





**EDGY™ Series**

# Powerpoint

KE2PPHB

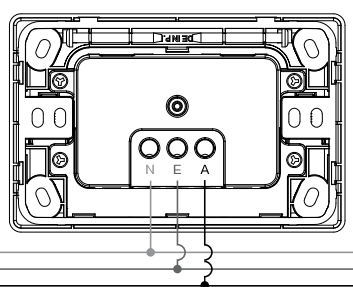


## Double horizontal smart powerpoint with individual outlet control

### FEATURES

- Slim (7.8mm plate depth), contemporary design
- Soft press push button operation with LED status indication
- UV stabilised to avoid discolouring
- Reliable Bluetooth® mesh network connectivity
- Short press for ON/OFF control
- Child lock enable/disable via local switch button or app
- Individual control and energy monitoring for each outlet
- Over-current, over-voltage, over-temperature protection
- Auto-recovery if fault is removed (settings retained)
- Groups, scenes, timers and scheduling functionalities
- Fits standard first fix mounting accessories (e.g. C-clips, nail brackets, wall boxes)
- Flush mounting centres (not recessed) for quicker installation
- Backed off terminal screws and deep guided cable terminals allow for fast fitment of cables
- Multiple mounting facilities at both 84mm and 100mm, along with corner fixing points
- Insulated screw caps hinged to the grid plate to provide IP2X rating on mounting screws
- Colour coded terminals for ease of identification
- iOS and Android app setup and control
- 3 year warranty

### CONNECTION



### SPECIFICATIONS

Power Supply	220-240V a.c. 50Hz
Operating Ambient Temperature	-20 to 40°C
IP Rating	IP20
Current Rating	10A
Energy Monitor	0.01A to 10A
Plate Depth	7.8mm
Terminal Size	16mm <sup>2</sup> (accommodates 4x2.5mm <sup>2</sup> cables)
Terminal Screw Type	Combination Flat/Philips head
Mounting Points	84mm / 100mm and Corners
Mounting Screw Type	Combination Flat/Philips head
Plate Colour (Finish)	White (Gloss) / Black (Matte)
Housing Material	Acrylic / Polycarbonate (PC)
LED Indicators	Blue (ON) / Green (Child Lock)
Standards Complied	CoS SAA 183650, AS/NZS 60669.2.1, AS/NZS 60669.1, AS/NZS CISPR 15, AS/NZS 4268

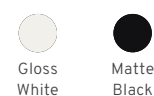
### ORDERING CODE

**KE2PPHB-WH**

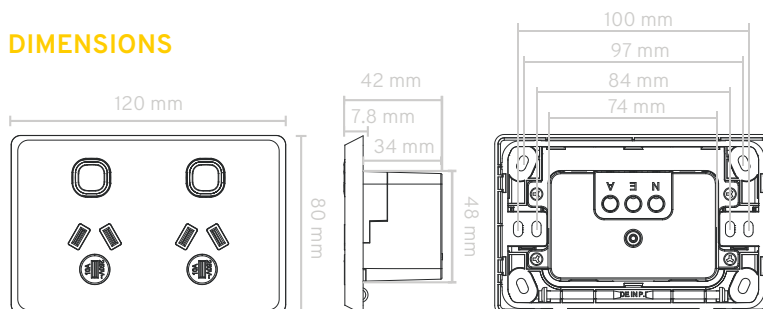
(plate finish)

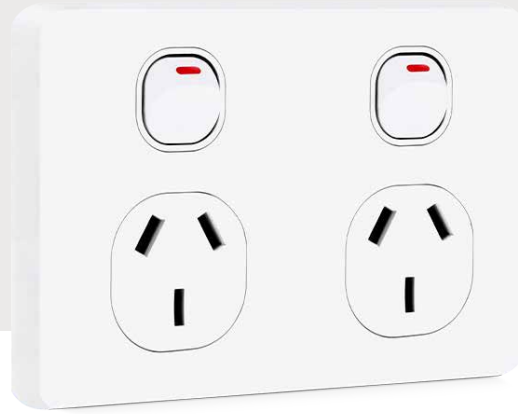
WH - White  
BK - Matte Black

### COLOURS



### DIMENSIONS



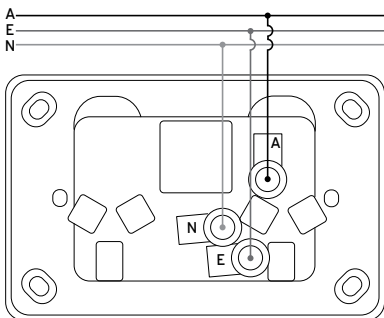


## Double horizontal powerpoint

### FEATURES

- Slim (7.8mm plate depth), contemporary design
- UV stabilised to avoid discolouring
- Fits standard first fix mounting accessories (e.g. C-clips, nail brackets, wall boxes)
- Flush mounting centres (not recessed) for quicker installation
- Deep guided cable terminals allow for fast fitment of cables
- Multiple mounting facilities at both 84mm and 100mm, along with corner fixing points
- Colour coded terminals for ease of identification
- Suitable for loads that use plugs with two or three flat pins
- 5 year warranty

### CONNECTION



### SPECIFICATIONS

Power Supply	220-240V a.c.
Operating Ambient Temperature	-20 to 40°C
IP Rating	IP20
Current Rating	10A
Plate Depth	7.8mm
Terminal Size	16mm <sup>2</sup> (accommodates 4x2.5mm <sup>2</sup> cables)
Terminal Screw Type	Combination Flat/Philips head
Mounting Points	84mm / 100mm and Corners
Mounting Screw Type	Combination Flat/Philips head
Plate Colour (Finish)	White (Gloss) / Black (Matte)
Housing Material	Acrylic / Polycarbonate (PC)
Standards Complied	AS/NZS 3112, AS/NZS 3100

### ORDERING CODE

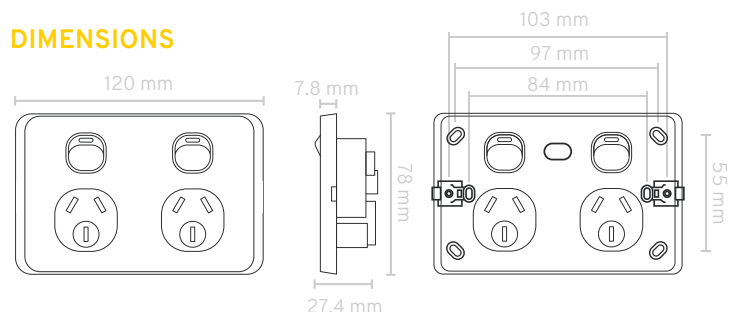
**EG2PPH-WH**  
(plate finish)

WH - White  
MBK - Matte Black

### COLOURS



### DIMENSIONS



This product can be purchased through your preferred electrical wholesaler.

# Air movement

Manage your home energy consumption with connected air movement devices including ceiling fans, heating, ventilation and air conditioning (HVAC) systems.

*With the KASTA AC Ceiling Fan Controller you can adjust fan speeds, control fan light, as well as set schedules and timers through the KASTA app.*

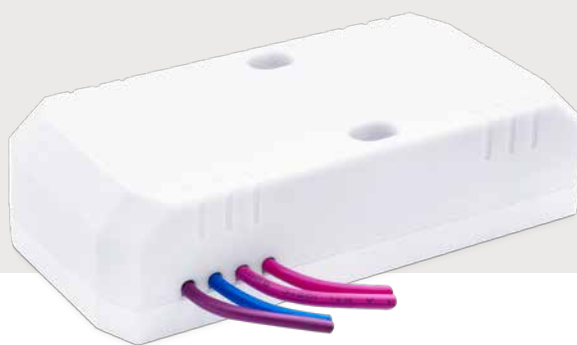


*With the KASTA Thermostat you can remotely control the temperature of your home through a tablet or smartphone and a mobile app. It allows you to programme your desired temperature for specific times of the day across the entire week to suit your lifestyle and schedule.*



# AC Ceiling Fan Controller

KASTA-FC150A

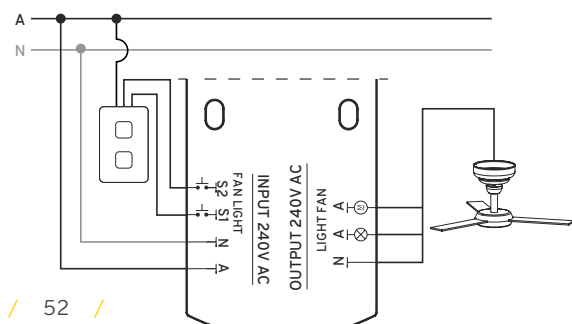


Smart AC ceiling fan controller providing capacitor switched 3-speed control of a fan plus ON/OFF fan light control

## FEATURES

- Control of AC powered ceiling fan motors (max. 150W motor load)
- Contains relay for ON/OFF control of fan light (max. 300W load)
- Provides capacitor switching for 3-speed control of fan speed
- 7-wire connection for power, fan, light and momentary switch mechanisms
- Reliable Bluetooth® mesh network connectivity to all KASTA devices
- 8-way multiway control
- Short press on input S1 to toggle fan light, short press on input S2 to toggle fan and fan speed
- Long press on input S2 to cycle through fan speeds (Low>Medium>High, High>Medium>Low)
- Built-in over-voltage and over-current protection
- Supports core KASTA functionality - control devices, groups, scenes, timers and scheduling
- Easily installed in the hangsure bracket under fan canopy
- iOS and Android app setup and control
- 3 year warranty

## CONNECTION



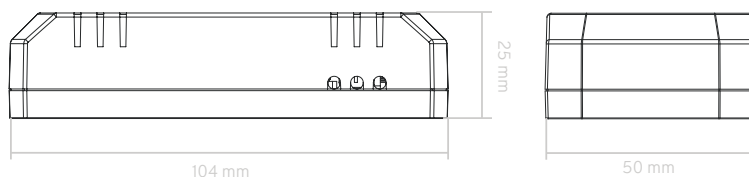
/ 52 /

## SPECIFICATIONS

Power Supply	220-240V a.c. 50Hz
Operating Ambient Temperature	-20 to 40°C
IP Rating	IP20
Physical Connection Type	Fly leads
Wiring Connections	Active, Neutral, Fan Motor, Fan Light, Momentary Mechanisms
Load Output Maximum	Fan: 150W (0.6A) Light: 300W (1.2A)
Load Compatibility	3-speed capacitor switched 240V a.c. ceiling sweep fan motor*, with or without inbuilt light
Housing Material	Polycarbonate (PC)
Standards Complied	AS/NZS 60669.2.1, AS/NZS 60669.1, AS/NZS CISPR 14.1, AS/NZS CISPR 15, AS/NZS 4268

\*Minor variations in the speed of the fan may be evident when compared to the original controller, with differences also possible between the same model of fans.

## DIMENSIONS



## COMPATIBILITY

KASTA AC Ceiling Fan Controller is suitable for use with most AC Ceiling Fans including the following ceiling fan brands and series (but not limited to):

- Brilliant®:** Tempo Series 4-blade fan Model: #100012  
Tempest Series 4-blade fan Model: #99983/05
- Clipsal®:** Caloundra Series 4-blade fans Models: #C4HS1300L-WE & #C4HS1300-WE  
Airflow Series 3-blade & 4-blade fans Models: #3HS1200AL-WH & #4HS1200AL-WH
- Lucci®:** Futura Series 4-blade fan Model: #210860  
AirFusion Sensation Series 4-blade fan Model: #211000
- Martec®:** Lifestyle Series 4-blade fan Model: #DLS1343W
- Mercator®:** Caprice Series 4-blade fan Model: #FC250128WH
- Ventair®:** Royale II Series 4-blade fan Model: #ROY1304WH(DK88)  
Harmony Series 4-blade fan Model: #HAR1204WH

# Thermostat

KASTA-TS01B-WH

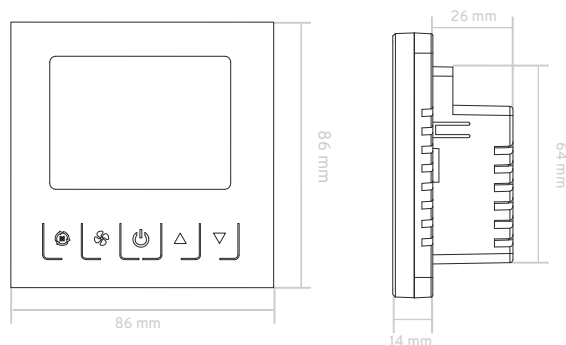


## Smart thermostat with fan and valve control via a capacitive touch screen

### FEATURES

- High strength tempered glass lens
- Backlit display
- Capacitive touch buttons with audio feedback
- Adjustable 2-wire and 3-wire motorised valve
- Detects difference between room and set temperature and controls fan and motorised valve in fan coils accordingly
- Temperature offset
- Reliable Bluetooth® mesh network connectivity
- Adjustable minimum and maximum setting temperature point
- Lock / Unlock keypad function
- Adjust fan coil system / water floor heating / fan coil + water floor heating
- Low temperature protection
- Memory function during power loss
- Selectable fan stage / valve control
- 3 year warranty

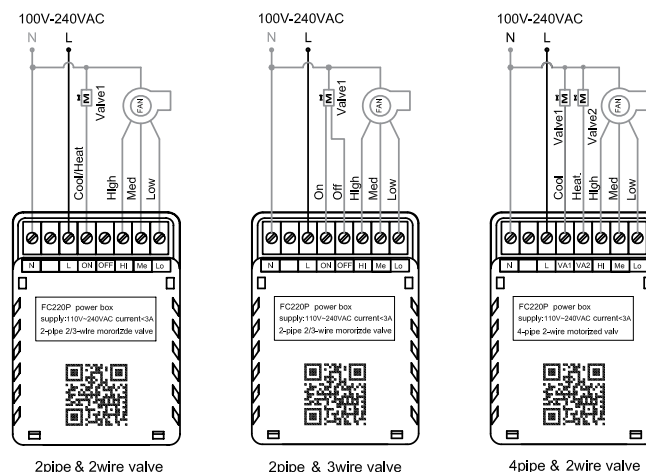
### DIMENSIONS



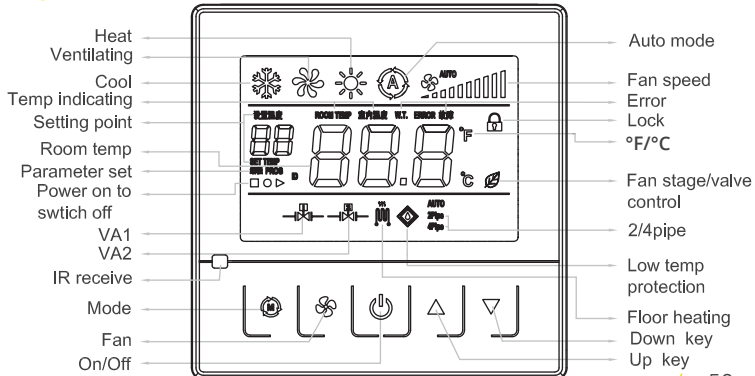
### SPECIFICATIONS

Power Supply	100-240V a.c. 50/60Hz
Operating Ambient Temperature	0 to 50°C
IP Rating	IP20
Load Current	5A
Temperature Controlled Accuracy	+/-1°C
Temperature Display Accuracy	+/-0.3°C
Housing Material	Tempered Glass / Polycarbonate (PC)
Installation	Recessed Mount
Standards Complied	AS/NZS CISPR 14.1, AS/NZS 4268

### CONNECTION



### DISPLAY



# Curtain control

Group multiple blinds or curtains for whole room control with the **KASTA** Curtain Control Module. Enhance movie nights or wake up with ease with smooth, effortless control of your curtains and blinds.



# Curtain Control Module

KASTA-C300IBH



Smart curtain control module that controls AC powered motors (4-wire switched motor) or DC powered motors (Class I or II) and connects to a momentary push button mechanism.

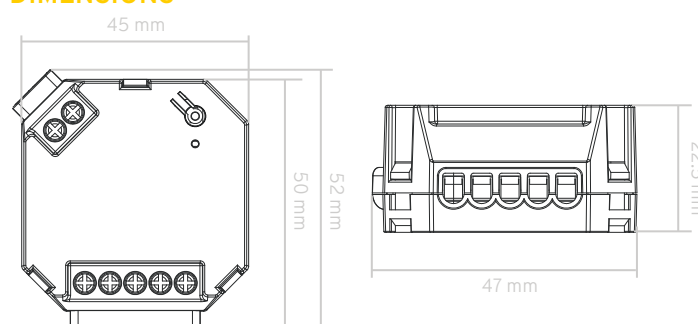
## FEATURES

- Control AC powered motors (4-wire switched motor) or DC powered motors (Class I or Class II)
- 7-wire connection for power, motor and momentary switch mechanism
- Reliable Bluetooth® mesh network connectivity to all KASTA devices
- 8-way multiway control
- Can be set up for one or two button operation
- Short press on input S1 or S2 to fully OPEN or CLOSE, a second short press to STOP/PAUSE
- Long press (S1, S2) >2s will initiate movement until released
- Built in over-voltage and over-current protection, with maximum 30 second run time
- Supports core KASTA functionality - control devices, groups, scenes, timers and scheduling
- Suits all Australian standard wall plates using a momentary mechanism
- iOS and Android app setup and control
- 3 year warranty

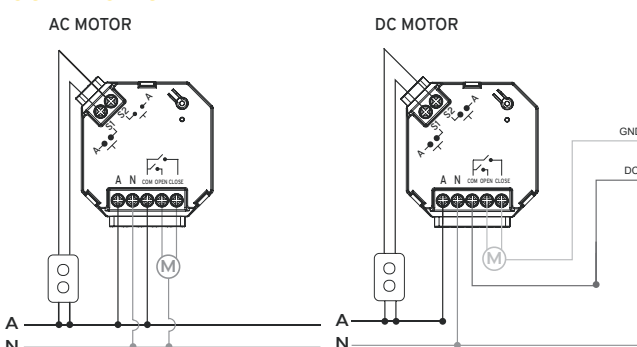
## SPECIFICATIONS

Power Supply	220-240V a.c. 50Hz
Operating Ambient Temperature	-20 to 40°C
IP Rating	IP20
Physical Connection Type	Terminals
Wiring Connections	Active, Neutral, Motor (Open/Close) & Momentary Mechanisms
Load Output (Inductive) Max.	300W (1.2A)
Load Compatibility	AC Motor: Standard bidirectional 4-wire 240VAC single phase motor with internal limit switches (2 Active, 1 Neutral, 1 Earth) DC Motor: Class I or Class II equipment only, up to 24VDC (max.) with internal limit switches
Momentary Input (S1/S2)	Local signal input only (not 240V a.c.) Max. wiring length between S1/S2 and momentary mechanism is 30m
Housing Material	Polycarbonate (PC)
Standards Complied	AS/NZS 60669.2.1, AS/NZS 60669.1, AS/NZS 60950.1, AS/NZS CISPR 15, AS/NZS 4268

## DIMENSIONS



## CONNECTION





# Door and gate control

By using the **KASTA** Dry Contact Module you can control door and gate operations with ease. Discover a range of **KASTA** smart welcoming scenes and features for your property, which you can set up to be triggered from the simple unlocking of a front door.





# Irrigation control

Set up separate irrigation zones with control at different times for plants that have different watering needs.



# Dry Contact Output Module

KASTA-S10IBH



Smart dry contact output module for the connection to and control of third-party equipment, and connects to a momentary push button mechanism.

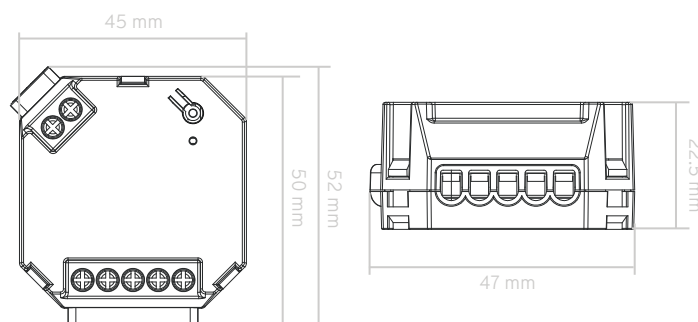
## FEATURES

- Supports Pulse and Toggle control modes with ON/AUTO OFF and ON/OFF options
- Suitable for interconnection with Class I, Class II or Class III equipment
- 5-wire connection for power, load and switch mechanism (momentary or toggle)
- 4 output modes - 1s, 6s and 9s pulse ON (auto OFF) and toggle ON/OFF - default setting is 1s pulse
- Control third-party equipment such as garage doors, motorised gates, irrigation systems etc.
- Reliable Bluetooth® mesh network connectivity to all KASTA devices
- 8-way multiway control
- Short press (or toggle) on input S1 or S2 to activate ON state
- Built-in over-voltage protection, with maximum 30 second run time
- Supports core KASTA functionality - control devices, groups, scenes, timers and scheduling
- Suits all Australian standard wall plates using a momentary or toggle mechanism
- iOS and Android app setup and control
- 3 year warranty

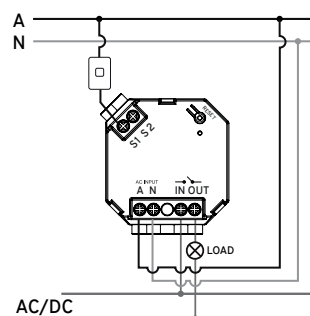
## SPECIFICATIONS

Power Supply	220-240V a.c. 50Hz
Operating Ambient Temperature	-20 to 50°C
IP Rating	IP20
Physical Connection Type	Terminals
Wiring Connections	Active, Neutral, Load & Switch Mechanisms
Load Output Max.	2400W (10A)
Load Compatibility	0 to 240V a.c. 0 to 30V d.c.
Housing Material	Polycarbonate (PC)
Standards Complied	AS/NZS 60669.2.1, AS/NZS 60669.1, AS/NZS 60950.1, AS/NZS CISPR 15, AS/NZS 4268

## DIMENSIONS



## CONNECTION





# Remote Switch 5-Input Module

KASTA-5RSIBH



Smart remote switch input module for the wireless control of KASTA devices from a wall switch with up to five individual mechanisms or a traditional 240V a.c. motion sensor

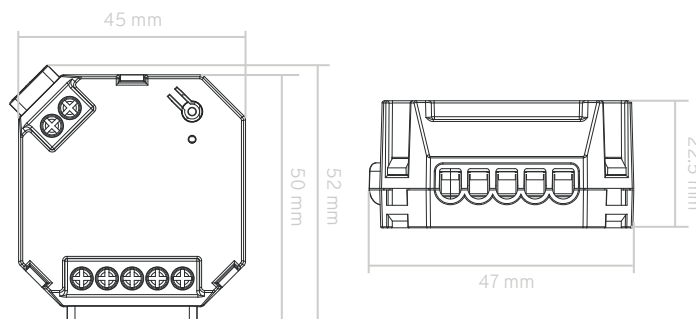
## FEATURES

- All 5 inputs support 2 modes of operation - toggle input and momentary switch input
- Toggle input mode - used with toggle switch mechanisms, the load output from a sensor or relay output from another source (e.g. Assa Abloy® VingCard® system)
- Momentary switch input - used with momentary switch mechanism (short press and long press) or momentary relay output from another source
- Reliable Bluetooth® mesh network connectivity to all KASTA devices
- 8-way multiway control
- Built-in over-voltage protection
- Supports core KASTA functionality - control devices, groups, scenes, timers and scheduling
- Suits all Australian standard wall plates using a momentary or toggle mechanism
- iOS and Android app setup and control
- 3 year warranty

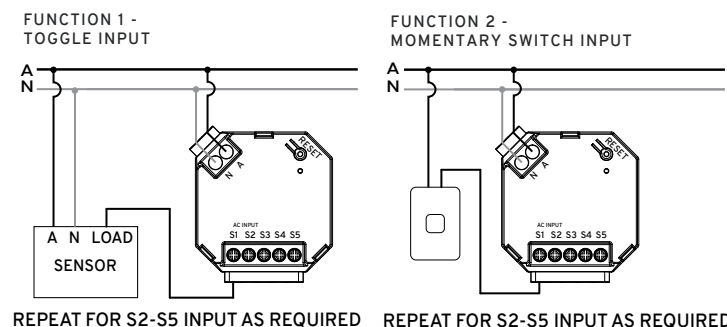
## SPECIFICATIONS

Power Supply	220-240V a.c. 50Hz
Operating Ambient Temperature	-20 to 50°C
IP Rating	IP20
Physical Connection Type	Terminals
Wiring Connections	Active, Neutral, Momentary Mechanism or Sensor Load Output
Input Voltage (S1-S5)	240V a.c.
Housing Material	Polycarbonate (PC)
Standards Complied	AS/NZS 60950.1, AS/NZS CISPR 15, AS/NZS 4268

## DIMENSIONS



## CONNECTION





# RGBTW Lighting

Celebrate in style, enhance your gaming experience or make story time that more enthralling with **KASTA's** range of RGBTW lighting.



# RGBTW Downlight

KB12RGBTWD1-WH



## Smart 5 channel colour RGB downlight (16M RGB, Warm White & Cool White)

### FEATURES

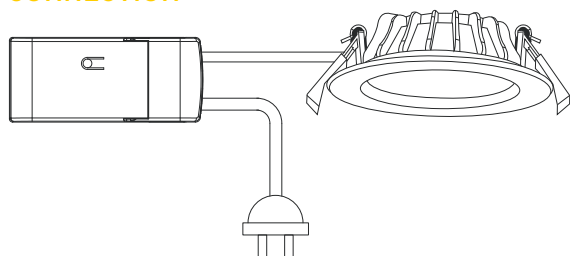
- Smart tuneable white/RGB dimmable downlight
- Reliable Bluetooth® mesh network connectivity to all KASTA devices
- 8-way multiway control
- ON/OFF/DIM\* and button press functionalities from local button (driver) or KASTA remote switch devices
- Supports core KASTA functionality - control devices, groups, scenes, timers and scheduling
- Ø90mm hole cutout
- Average lifetime >50,000 hours
- iOS and Android app setup and control
- 3 year warranty

*\*KASTA RGB devices must not be connected to any Phase-Cut (Leading/Trailing Edge & Universal) dimmers.*

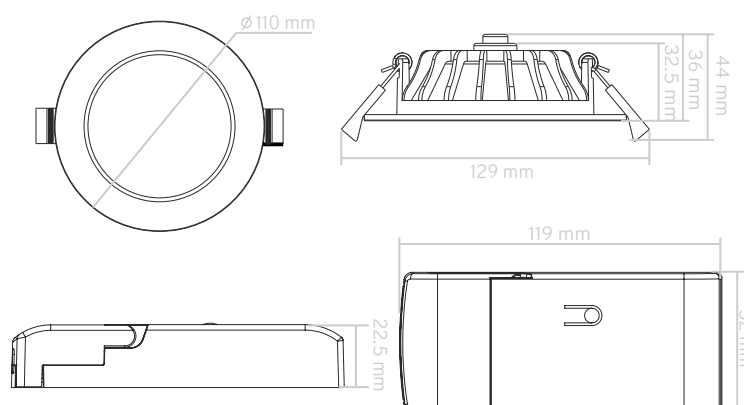
### SPECIFICATIONS

Power Supply	220-240V a.c. 50/60Hz
Operating Ambient Temperature	-20 to 40°C
IP Rating	IP54 (front face)
Connection Type	1.2m Flex & Plug
Input Power	WW/CW: 12W; RGB: 5W
CCT	2700K - 6500K (for White)
CRI	>80
PF	≥0.90
Lumen Output	Warm White: 750-800lm Cool White: 800-850lm
Beam Angle	110°
Trim Colour	White
Optics	Polycarbonate Diffuser
Electrical	Class 2
Dimming Range	2-100%
Hole Cutout Size	Ø90mm
IC Rating	IC-4
Average Lifetime	>50,000 hours
Housing Material	Aluminium, Polycarbonate (PC)
Standards Complied	AS/NZS 60598.2.2, AS/NZS 60695.11.5

### CONNECTION



### DIMENSIONS



# RGBTW 5m LED Strip Kit

KB36RGBTWS5M



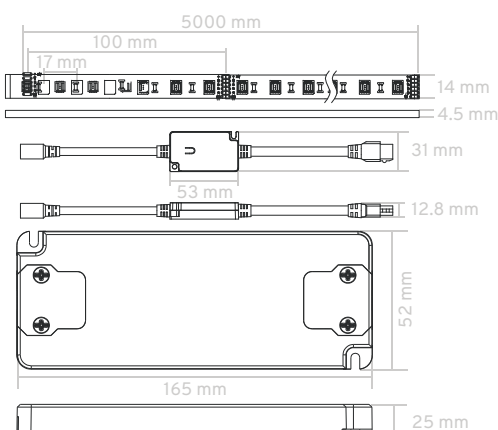
## Smart 5 channel colour RGB LED strip kit (16M RGB, Warm White & Cool White)

### FEATURES

- Tuneable White/RGB LED strip kit including driver with flex and plug, KASTA in-line controller and 5m LED strip
- Reliable Bluetooth® mesh network connectivity to all KASTA devices
- 8-way multiway control
- ON/OFF/DIM\* and button press functionalities from local button (in-line controller) or KASTA remote switch devices
- Supports core KASTA functionality - control devices, groups, scenes, timers and scheduling
- Average lifetime >50,000 hours
- iOS and Android app setup and control
- 3 year warranty

\*KASTA RGB devices must not be connected to any Phase-Cut (Leading/Trailing Edge & Universal) dimmers.

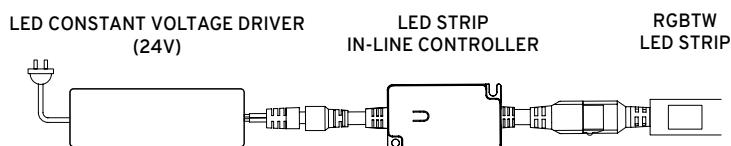
### DIMENSIONS



### SPECIFICATIONS

Rated Supply Voltage	24V
Operating Ambient Temperature	-20 to 50°C
IP Rating	IP20 (driver, in-line controller) IP54 (LED strip)
Maximum Input Current	6A
Maximum Input Power	144W (5m)
CCT	2700K - 6500K (for White)
CRI	80
Lumen Output	Warm White: 528lm Cool White: 721lm
Dimming Range	2-100%
Beam Angle	120°
Total LEDs	60
Cut Intervals	100mm
Average Lifetime	>50,000 hours
Housing Material	Silicone sleeved
Standards Complied	AS/NZS 60669.2.1, AS/NZS 60598.2.1, AS/NZS 60598.1

### CONNECTION



# RGBTW Globes

KB8RGBTWGE27  
KB8RGBTWGB22



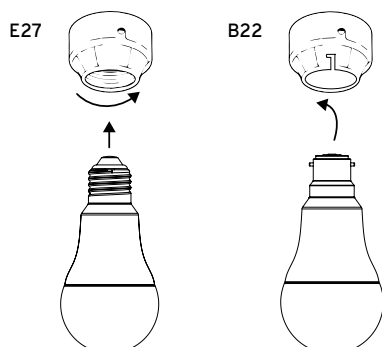
## Smart 5 channel colour RGB globes (16M RGB, Warm White & Cool White)

### FEATURES

- Tuneable White/RGB LED globes
- Reliable Bluetooth® mesh network connectivity to all KASTA devices
- 8-way multiway control
- ON/OFF/DIM\* functionalities via KASTA remote switch devices or KASTA app
- Supports core KASTA functionality - control devices, groups, scenes, timers and scheduling
- Average lifetime >15,000 hours
- iOS and Android app setup and control
- 2 year warranty

*\*KASTA RGB devices must not be connected to any Phase-Cut (Leading/Trailing Edge & Universal) dimmers.*

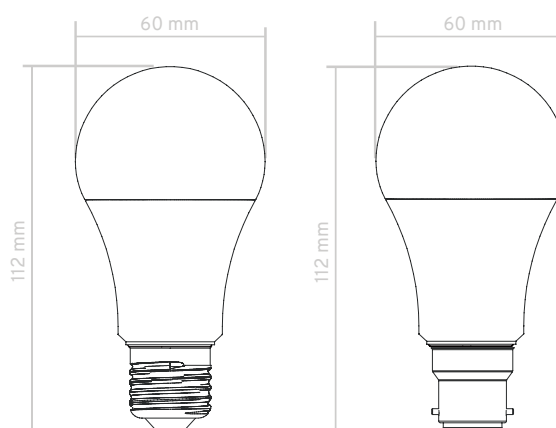
### CONNECTION



### SPECIFICATIONS

Power Supply	220-240V a.c.
Operating Ambient Temperature	-20 to 40°C
IP Rating	IP20
Input Current	35mA
Input Power	8W
CCT	2700K - 6500K (for White)
CRI	≥80
PF	0.5
Lumen Output	Warm White: 560-780lm Cool White: 640-850lm
Dimming Range	2-100%
Beam Angle	180°
Average Lifetime	>15,000 hours
Standards Complied	AS/NZS 62560, AS/NZS CISPR15, AS/NZS 4268

### DIMENSIONS





# KASTA Unison™ products

A complementary range of 240V products to complete your lighting controls solution.

PRODUCT CODE	DESCRIPTION
<b>240V SWITCHES</b>	
H1ASV-WH/BK	Unison Hesperus Switch, 1 Gang, 10AX, 250V a.c., Vertical, White / Black
H2ASV-WH/BK	Unison Hesperus Switch, 2 Gang, 10AX, 250V a.c., Vertical, White / Black
H3ASV-WH/BK	Unison Hesperus Switch, 3 Gang, 10AX, 250V a.c., Vertical, White / Black
H4ASV-WH/BK	Unison Hesperus Switch, 4 Gang, 10AX, 250V a.c., Vertical, White / Black
H5ASV-WH/BK	Unison Hesperus Switch, 5 Gang, 10AX, 250V a.c., Vertical, White / Black
H6ASV-WH/BK	Unison Hesperus Switch, 6 Gang, 10AX, 250V a.c., Vertical, White / Black
H1ASH-WH/BK	Unison Hesperus Switch, 1 Gang, 10AX, 250V a.c., Horizontal, White / Black
H2ASH-WH/BK	Unison Hesperus Switch, 2 Gang, 10AX, 250V a.c., Horizontal, White / Black
H3ASH-WH/BK	Unison Hesperus Switch, 3 Gang, 10AX, 250V a.c., Horizontal, White / Black
H4ASH-WH/BK	Unison Hesperus Switch, 4 Gang, 10AX, 250V a.c., Horizontal, White / Black
H5ASH-WH/BK	Unison Hesperus Switch, 5 Gang, 10AX, 250V a.c., Horizontal, White / Black
H6ASH-WH/BK	Unison Hesperus Switch, 6 Gang, 10AX, 250V a.c., Horizontal, White / Black
EG1ASV-WH/MBK	Unison Edgy Switch 1 Gang, 10AX 250V a.c., Vertical, White / Matte Black
EG2ASV-WH/MBK	Unison Edgy Switch 2 Gang, 10AX 250V a.c., Vertical, White / Matte Black
EG3ASV-WH/MBK	Unison Edgy Switch 3 Gang, 10AX 250V a.c., Vertical, White / Matte Black
EG4ASV-WH/MBK	Unison Edgy Switch 4 Gang, 10AX 250V a.c., Vertical, White / Matte Black
EG5ASV-WH/MBK	Unison Edgy Switch 5 Gang, 10AX 250V a.c., Vertical, White / Matte Black
EG6ASV-WH/MBK	Unison Edgy Switch 6 Gang, 10AX 250V a.c., Vertical, White / Matte Black
EG1ASH-WH/MBK	Unison Edgy Switch, 1 Gang, 10AX, 250V a.c., Horizontal, White / Matte Black
EG2ASH-WH/MBK	Unison Edgy Switch, 2 Gang, 10AX, 250V a.c., Horizontal, White / Matte Black
EG3ASH-WH/MBK	Unison Edgy Switch, 3 Gang, 10AX, 250V a.c., Horizontal, White / Matte Black
EG4ASH-WH/MBK	Unison Edgy Switch, 4 Gang, 10AX, 250V a.c., Horizontal, White / Matte Black
EG5ASH-WH/MBK	Unison Edgy Switch, 5 Gang, 10AX, 250V a.c., Horizontal, White / Matte Black
EG6ASH-WH/MBK	Unison Edgy Switch, 6 Gang, 10AX, 250V a.c., Horizontal, White / Matte Black
ATS116-GY	Unison Atmos Weatherproof Switch, 1 Gang, 10A, 250V a.c., IP66, Grey
ATS116/2-GY	Unison Atmos Weatherproof Switch, 2 Gang, 10A, 250V a.c., IP66, Grey
<b>SWITCH GRID PLATE &amp; COVERS</b>	
H1SVH-WH/BK	Unison Hesperus Grid Plate, Cover & Button Caps, 1 Gang, White / Black
H2SVH-WH/BK	Unison Hesperus Grid Plate, Cover & Button Caps, 2 Gang, White / Black
H3SVH-WH/BK	Unison Hesperus Grid Plate, Cover & Button Caps, 3 Gang, White / Black
H4SVH-WH/BK	Unison Hesperus Grid Plate, Cover & Button Caps, 4 Gang, White / Black
H5SVH-WH/BK	Unison Hesperus Grid Plate, Cover & Button Caps, 5 Gang, White / Black
H6SVH-WH/BK	Unison Hesperus Grid Plate, Cover & Button Caps, 6 Gang, White / Black
EG1V-WH/MBK	Unison Edgy Grid Plate & Blank Cover, White / Matte Black
EG1SVH-WH/MBK	Unison Edgy Grid Plate & Cover 1 Gang, White / Matte Black
EG2SVH-WH/MBK	Unison Edgy Grid Plate & Cover 2 Gang, White / Matte Black
EG3SVH-WH/MBK	Unison Edgy Grid Plate & Cover 3 Gang, White / Matte Black
EG4SVH-WH/MBK	Unison Edgy Grid Plate & Cover 4 Gang, White / Matte Black
EG5SVH-WH/MBK	Unison Edgy Grid Plate & Cover 5 Gang, White / Matte Black
EG6SVH-WH/MBK	Unison Edgy Grid Plate & Cover 6 Gang, White / Matte Black
TL1SC-BA	Unison Tallic Cover Only, suits 1 Gang Switch plate, Brushed Aluminium
TL2SC-BA	Unison Tallic Cover Only, suits 2 Gang Switch plate, Brushed Aluminium
TL3SC-BA	Unison Tallic Cover Only, suits 3 Gang Switch plate, Brushed Aluminium
TL4SC-BA	Unison Tallic Cover Only, suits 4 Gang Switch plate, Brushed Aluminium
TL5SC-BA	Unison Tallic Cover Only, suits 5 Gang Switch plate, Brushed Aluminium
TL6SC-BA	Unison Tallic Cover Only, suits 6 Gang Switch plate, Brushed Aluminium
TL1PPHC-BA	Unison Tallic Cover Only, suits Single powerpoint, Horizontal, Bright Aluminium
TL1PPHC-BA	Unison Tallic Cover Only, suits Single powerpoint with extra switch, Horizontal, Bright Aluminium
TL2PPHC-BA	Unison Tallic Cover Only, suits Double powerpoint, Horizontal, Bright Aluminium
TL2PPHC-BA	Unison Tallic Cover Only, suits Double powerpoint with extra switch aperture, Horizontal, Bright Aluminium
TL2PPVC-BA	Unison Tallic Cover Only, suits Double powerpoint, Vertical, Bright Aluminium
TL2PPVC-BA	Unison Tallic Cover Only, suits Double powerpoint with extra switch aperture, Vertical, Bright Aluminium



These products can be purchased through your preferred electrical wholesaler.

**COLOUR CODES** H1ASV-WH — WH - White BK - Black MBK - Matte Black GY - Grey BA - Brushed Aluminium

PRODUCT CODE	DESCRIPTION
<b>240V POWERPOINTS</b>	
HIPPV-WH/BK	Unison Hesperus Powerpoint, Single, 10A, 250V a.c., Horizontal, White / Black
H2PPV-WH/BK	Unison Hesperus Powerpoint, Double, 10A, 250V a.c., Horizontal, White / Black
H2PPHX-WH/BK	Unison Hesperus Powerpoint, Double with extra aperture, 10A, 250V a.c., Horizontal, White / Black
H2PPHXA-WH/BK	Unison Hesperus Powerpoint, Double with extra 16AX PBL switch, 10A, 250V a.c., Horizontal, White / Black
H2PPHU1A-WH/BK	Unison Hesperus Powerpoint, Double with Type A 2A Single USB, 10A, 250V a.c., Horizontal, White / Black
EG1PPH-WH/MBK	Unison Edgy Powerpoint, Single, 10A, 250V a.c., Horizontal, White / Matte Black
EG1PPHX-WH/MBK	Unison Edgy Powerpoint, Single, 10A, with removable extra 10AX switch, 250V a.c., Horizontal, White / Matte Black
EG1PP15H-WH/MBK	Unison Edgy Powerpoint, Single, 15A, 250V a.c., Horizontal, White / Matte Black
EG2PPH-WH/MBK	Unison Edgy Powerpoint Double, 10A, 250V a.c., Horizontal, White / Matte Black
EG2PP15H-WH/MBK	Unison Edgy Powerpoint, Double, 15A, 250V a.c., Horizontal, White / Matte Black
EG2PPHX-WH/MBK	Unison Edgy Powerpoint Double with extra aperture (no switch) , 10A, 250V a.c., Horizontal, White / Matte Black
EG2PPHXA-WH/MBK	Unison Edgy Powerpoint Double with removable 10AX extra switch, 10A, 250V a.c., Horizontal, White / Matte Black
EG2PPHN-WH/MBK	Unison Edgy Powerpoint, Double, 10A, 250V a.c., with neon, Horizontal, White / Matte Black
EG2PPHU1A-WH/MBK	Unison Edgy Powerpoint, Double, 10A, 250V a.c. with Type A 2A single USB, Horizontal, White / Matte Black
EG1PPV-WH/MBK	Unison Edgy Powerpoint, Single, 10A, 250V a.c., Vertical, White / Matte Black
EG2PPV-WH/MBK	Unison Edgy Powerpoint, Double, 10A, 250V a.c., Vertical, White / Matte Black
ATPPIS-GY	Unison Atmos Weatherproof Powerpoint, Single, Square, 10A 250V a.c., IP53, Grey
ATPP1-GY	Unison Atmos Weatherproof Powerpoint, Single, Rectangular, 10A 250V a.c., IP53, Grey
ATPP2N-GY	Unison Atmos Weatherproof Powerpoint, Double, Rectangular, 10A 250V a.c., IP53, Grey
ATPP2X-GY	Unison Atmos Weatherproof Powerpoint, Double, Rectangular, 10A with Extra Switch, 250V a.c., IP53, Grey
<b>SWITCH MECHANISMS</b>	
MR10-WH/BK	Unison Switch Mechanism 1 way/ 2 way, 10AX 250V a.c., White / Black
MRD10-WH/BK	Unison Switch Mechanism Double Pole, 1 way 10AX 250V a.c., White / Black
MRD35-WH/BK	Unison Switch Mechanism Double Pole, 1 way 35A 250V a.c., White / Black
MRD35HOB-WH/BK	Unison Switch Mechanism Double Pole, One way 35A 250V a.c., Marked 'HOB', White / Black
MRMPRESS-WH/BK	Unison Switch Mechanism, Momentary Rocker Action, Single Pole 16A, 250V a.c. Marked 'PRESS', White / Black
MPCU-WH/BK	Unison Permanent Connection Unit, White / Black
MRJ45C6-WH/BK	Unison Data Mechanism RJ45 CAT6 , White / Black
MRJ11-WH/BK	Unison TEL Mechanism RJ11, White / Black
MTVC-WH/BK	Unison TV Mechanism Coaxial, White / Black
MTVF-WH/BK	Unison TV Mechanism F type, White / Black
MR3SP-WH/BK	Unison Rotary 3 Speed Fan Controller Mechanism, Markings 1, 2, 3 & OFF (used in conjunction with fan capacitor), White / Black
MUSB1A-WH	Unison USB Charger Module, Type A, Single port, Output 2.1A, White
MU1A-WH	Unison USB Mechanism, Type A, Single port, Output 2.1A, White
MU2A-WH/BK	Unison USB Mechanism, 2 x Type A, Double port, Input 240V a.c., Output 2.1A @ 5Vd.c., White / Black
MU2AC-WH/BK	Unison USB Mechanism, Type A+C, Double port, Input 240V a.c., Output 2.1A @ 5Vd.c., White / Black
MEPBL1440-WH	Unison Push Button Switch Mechanism with LED, 1 way/2 way, 16AX 250V a.c., White

Unison Data Mech.



Unison Switch Mech.



Unison Atmos Powerpoint




Unison USB Mech.





Living Enhanced 

 02 9168 5900

 [info@kasta.com.au](mailto:info@kasta.com.au)

 [kasta.com.au](http://kasta.com.au)

