



## Heavy-Duty Domed Outdoor Housing



DOH-1100

H/W Version: 1

DOH-1100 is a heavy-duty outdoor housing that protects your LevelOne network camera from harsh weather conditions.

### Durable

Heavy-duty vandal-proof dome for outdoor and indoor installation

### 2-layer dome design

Helps keep the camera cool in hot weather by creating a pocket of air that adds extra insulation.

### Temperature control

An automatic sensor regulates the dome's

temperature, making sure extreme weather conditions do not affect camera viewing or operation. The built-in fan turns on when it is hot, the built-in heater turns on when it is cold.

### New coating

Fluorocarbon paint resists salt water, as well as other acids and bases.

### Easy to install

Perfect match with LevelOne FCS-1010, FCS-1040 and FCS-1060, simple internal mounting bracket.



### Key Features

- Heavy-duty aluminum dome for outdoor and indoor installation
- 2-layer dome design keeps cameras cool
- Special fluorocarbon coating resists harsh acids and bases (i.e. salt water)
- Auto-sensing fan and heater for internal temperature control
- Vandal-proof polycarbonate cover
- IP66-rated waterproof protection

### Works Well With



**FCS-1010**  
P/T/Z IP Network Camera



**FCS-1040**  
P/T/Z IP Network Camera



**FCS-1060**  
P/T/Z IP Network Camera

## Technical Specifications

### Regulation Rated

IP66

### Housing Color

Beige

### Diameter

ψ 200 mm

### Cover Color

Smoked

### Video Output

Female BNC

### Power Consumption

DC12V/ 3A

### Control/Power

Thermal block

### Temperature

Operating: -20°C ~50°C

Storage: -40°C ~60°C

### Humidity

0%~95% (RH)

### Heater Operating

Activates at 4°C (±5°C)

Deactivates at 16°C (±5°C)

### Fan Operating

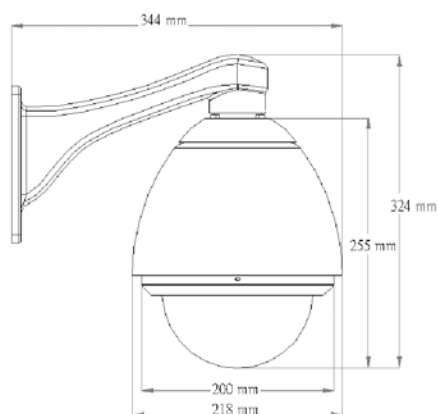
Activates at 40°C (±5°C)

Deactivates at 30°C (±5°C)

### Weight

3.1Kg

## Dimension Diagram



### Order Information

**DOH-1100:** Heavy-duty Domed Outdoor Housing for FCS-1010/1040/1060

### Package Content

DOH-1100

Power Adapter

Wall Mount Kit