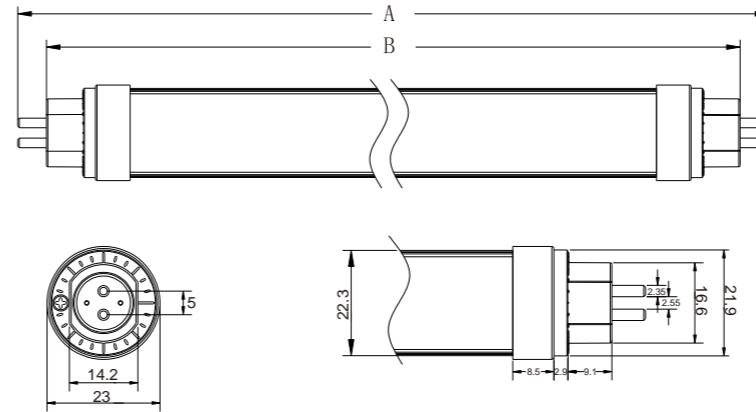


T5 LED Tube Light 175lm/W



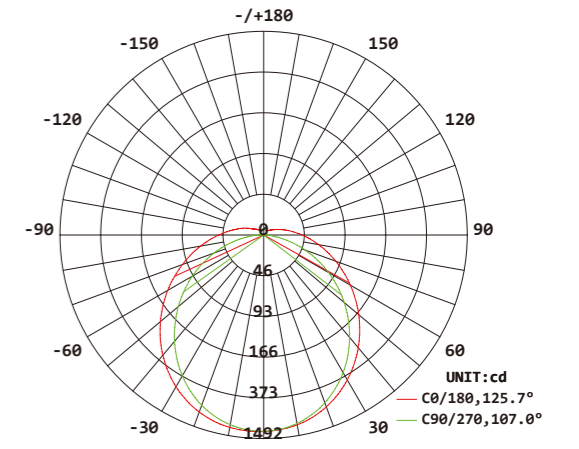
Specification



	2feet	3feet	4feet	5feet
Dimension	548	848	1148	1448
A:	562mm	862mm	1162mm	1462mm
B:	548mm	848mm	1148mm	1448mm

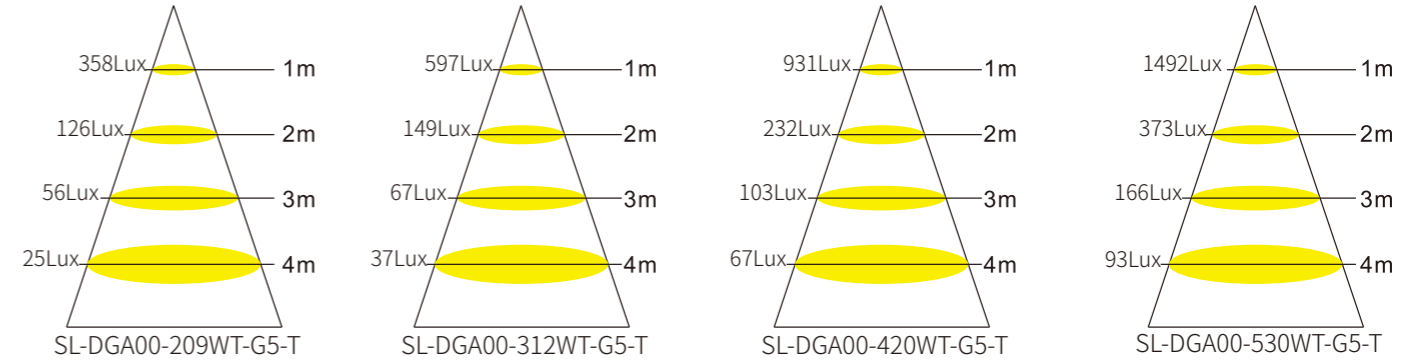
Beam angle

LUMINOUS INTENSITY DISTRIBUTION DIAGRAM



AVERAGE BEAM ANGLE(50%):116.4 DEG
SL-DGA00-530WT-G5-T Plus

Illumination Distribution Drawing



Product Specification

Luminance Efficacy: Frosted Cover:175lm/W
Clear Cover:180lm/W

LED Type: 2835 LED, Epistar
Input Voltage: AC100-240V
CCT:3000K 4000K 5000K 6000K
CRI:>80
PF:>0.95
Beam Angle:140°
Driver Type: Internal Driver
Working Temperature: -20°C-48°C

Product Feature

- Pretty and elegant appearance, patented product.
- Directly install on the existing T5 fixture.
- Colorful metal rings available, Blue, Green, Silver, Red and Gold.
- G5 fixed or rotating end cap is available.
- 6063 Aluminum housing, polycarbonate cover, long lifespan.
- ODM/OEM service available, Laser print customer LOGO and customer exclusive label.
- Mainly used in factory, supermarket, carpark, hospital and school.

Product Model

Model No.	Length	Power	Lumen(lm)	LED Qty	Size(mm)	Carton Size(cm)	N.W	G.W/25PCS
SL-DGA00-209WT-G5-T	2ft	9W	1575	72pcs	Φ22*L548	L60*W19*H12	5.3kg	5.6kg
SL-DGA00-312WT-G5-T	3ft	12W	2100	96pcs	Φ22*L848	L90*W19*H12	7.1kg	7.4kg
SL-DGA00-412WT-G5-T	4ft	12W	2100	144pcs	Φ22*L1148	L120*W19*H12	10.7kg	11.0kg
SL-DGA00-418WT-G5-T	4ft	18W	3150	144pcs	Φ22*L1148	L120*W19*H12	10.7kg	11.0kg
SL-DGA00-420WT-G5-T	4ft	20W	3500	144pcs	Φ22*L1148	L120*W19*H12	10.7kg	11.0kg
SL-DGA00-520WT-G5-T	5ft	20W	3500	144pcs	Φ22*L1448	L150*W19*H12	11.8kg	12.1kg
SL-DGA00-525WT-G5-T	5ft	25W	4375	192pcs	Φ22*L1448	L150*W19*H12	12kg	12.3kg
SL-DGA00-530WT-G5-T	5ft	30W	5250	216pcs	Φ22*L1448	L150*W19*H12	12.4kg	12.7kg
SL-DGA00-535WT-G5-T	5ft	35W	6000	216pcs	Φ22*L1448	L150*W19*H12	12.4kg	12.7kg

*Remarks: 3000K, 4000K available, Only change "W" to "N", "L" in Model No.