

# Product Information

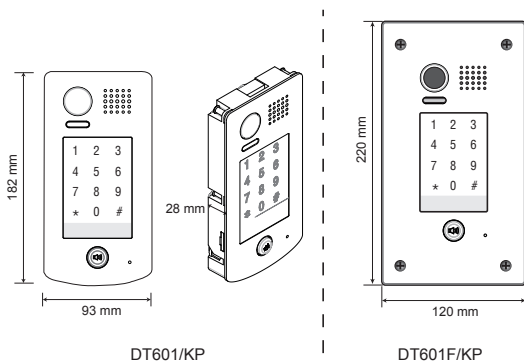
## H2.601KP Series 2-Wire Outdoor Station System



### DESCRIPTION

2-wire system color outdoor station with keypad access control

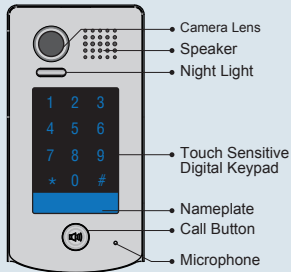
### DIMENSION



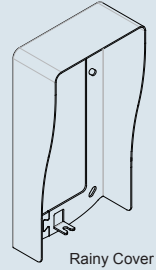
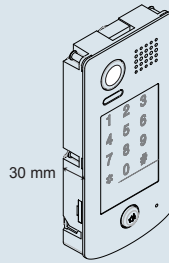
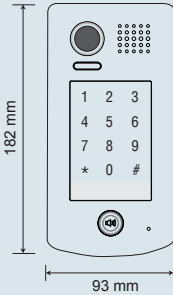
### FEATURES

- ▶ 4mm plexiglass cover
- ▶ Waterproof nameplate design with blue light background
- ▶ ARS 105 visual degree high resolution Camera
- ▶ Anti-tamper screw installation
- ▶ Full stainless steel materials design
- ▶ Keypad password access control
- ▶ Support two kinds of lock(power on/off)
- ▶ IP54 strong waterproof
- ▶ Surface and flush mounting optional

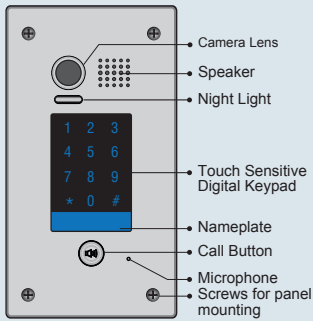
# 1. Parts and Functions



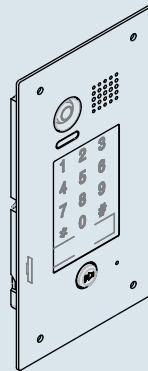
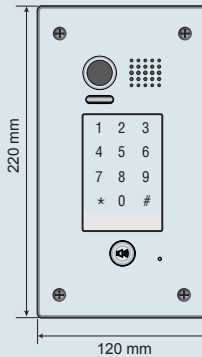
DT601/KP



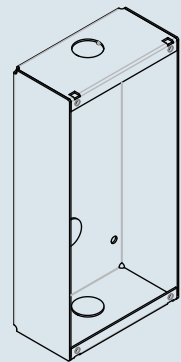
Rainy Cover



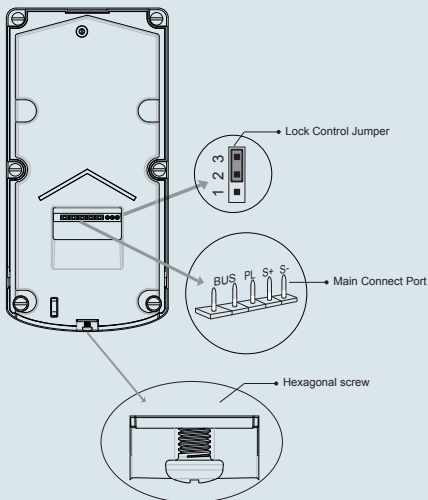
DT601F/KP



Side View



Mounting box



**Lock Control Jumper:** To select the lock type.

**Main Connect Port:** To connect the bus line and the electronic locks.

**BUS:** Connect to the bus line, no polarity.

**PL:** External lock power input, connect to the power positive(power +).

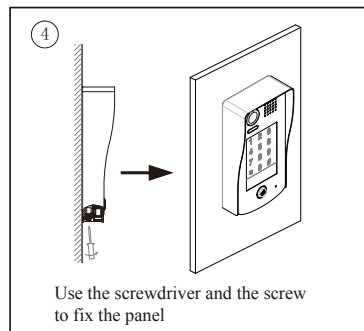
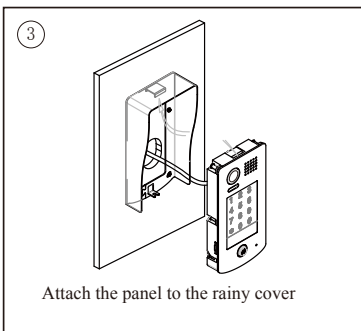
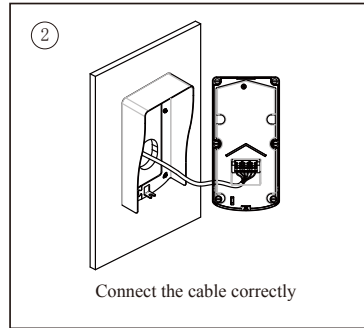
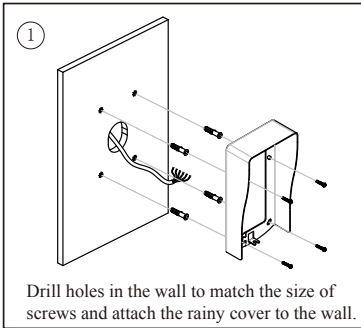
**S+:** Lock power(+) output.

**S-:** Lock power(-) output, connect to the power(-) input of locks(only when using the camera to power the locks, if using the external power supply for the locks, the S- will not be connected).

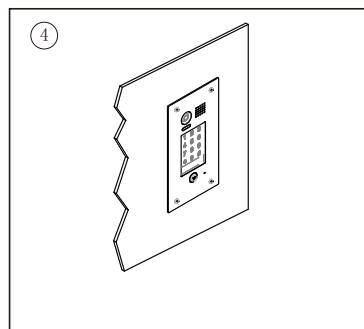
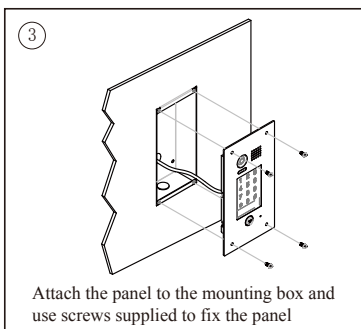
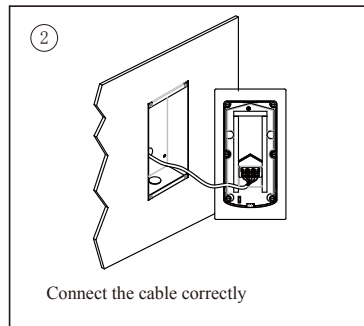
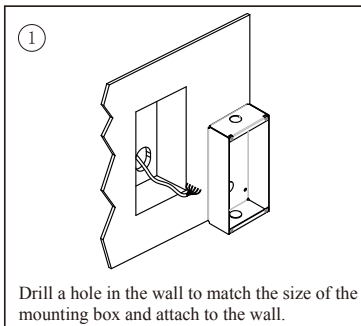
**Hexagonal screw:** fixed door station.

## 2. Door Station Mounting

### DT601/KP Mounting



### DT601F/KP Mounting



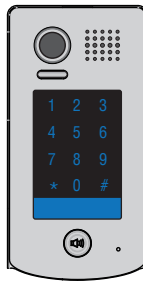
### 3. Specification

- Power Supply : DC 24V;
- Power Consumption: Standby 40mA; Working status 160mA;
- Camera: Color ARS; 420 TV Lines;
- Unlocking time: 1~99s
- Lock Power supply: 12Vdc, 280mA(Internal Power);
- Number of relay circuits: 2(the second lock need external device to support)
- Mounting: Surface mounting(DT601/KP)  
Flush mounting (DT601F/KP)
- Working temperature: -10°C ~ +45°C
- Dimension: 182(H)×93(W)×44(D)mm(DT601/KP)  
220(H)×120(W)×50(D)mm(DT601F/KP)

### 4. Ordering Information for Door Station



H2.601/KP-B



H2.601/KP-C



H2.601F/KP

Model No.	Brief Description	Remark
H2.601KP/B	Color outdoor station with password access control(white background)	NSTC,PAL must be specified
H2.601KP/C	Color outdoor station with password access control(black background)	NSTC,PAL must be specified
H2.601F/KP	Color outdoor station with password access control(flush mounting version)	NSTC,PAL must be specified

## 5. Packing Information



Dimensions: 200(H)×100(W)×60(D)mm

Gross Weight: 0.76Kg



Carton: 415 (H)×360 (W)×265 (D)mm

Quantity: 28PCS for KP version

15PCS for F/KP version