

# Product Information

---

---

## VT27 Series 4-Wire Indoor Monitor

---

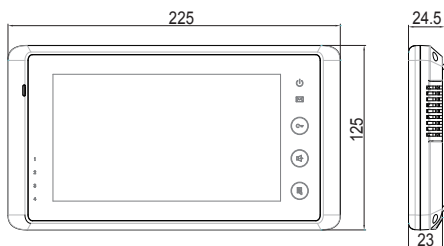


---

### DESCRIPTION

4 wire system 7 inch Digital Color TFT Monitor

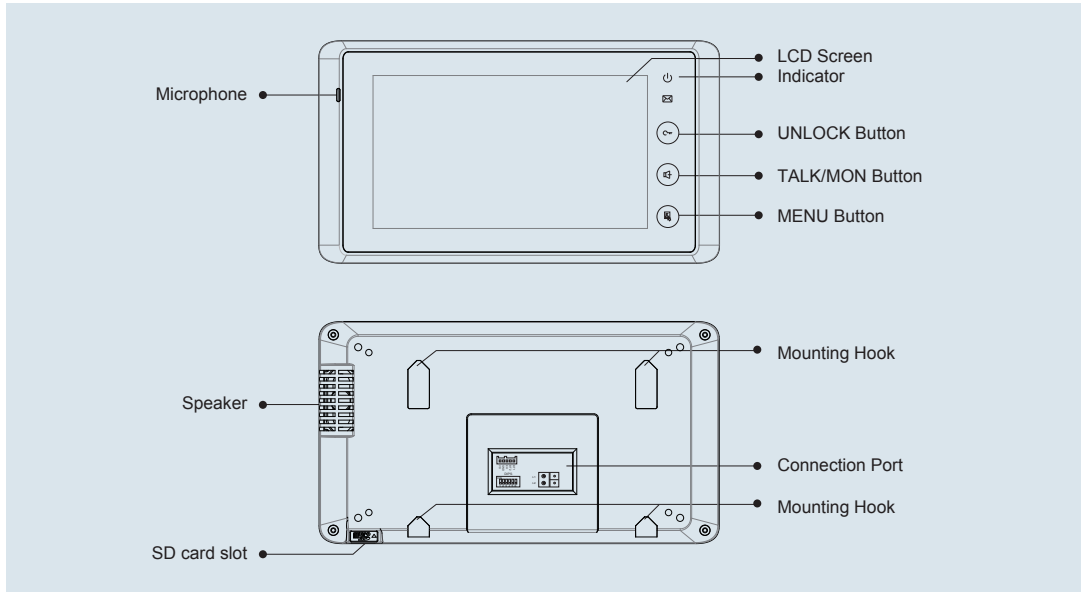
### DIMENSION



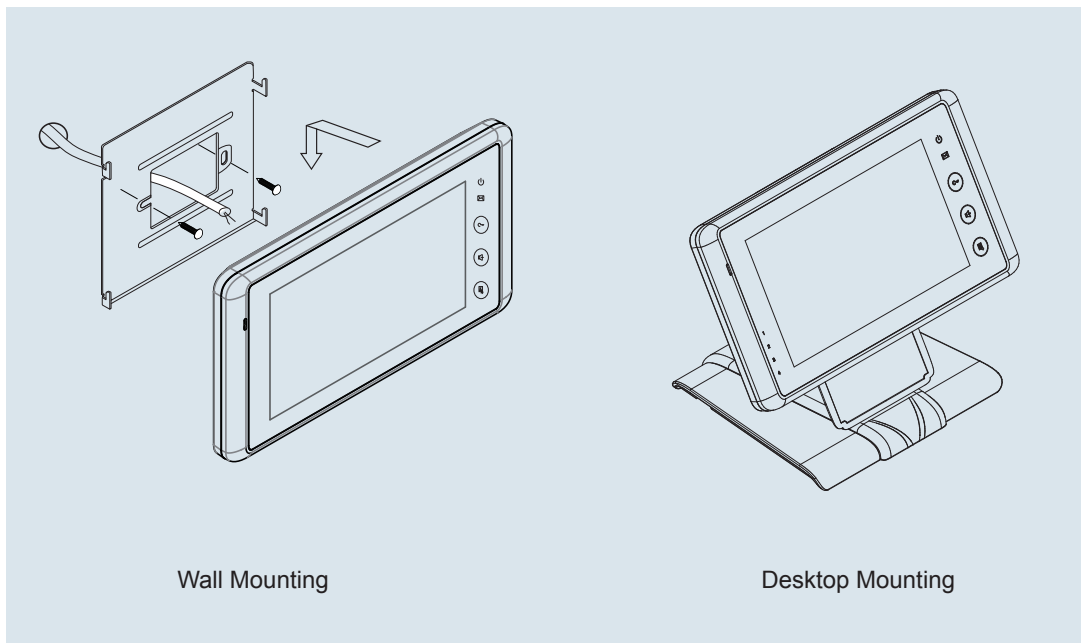
### FEATURES

- ▶ Digital TFT Screen with touch operation
  - ▶ Touch sensor button on the panel;
  - ▶ Color icons menu with graceful background
  - ▶ 12pcs 8-chord Melodies for choose freely;
- \*1 Inner 128MB flash memory plus extended max.16G SD card external picture recording;
- ▶ Multi languages for choices(customized)
- \*1 Picture memory sharing for saving costs;
- ▶ Support selective intercom;
  - ▶ Compatible with all VT devices;
- \*1 White or black color housing;
- \*1 Depends on models.
-

## 1. Parts and Functions



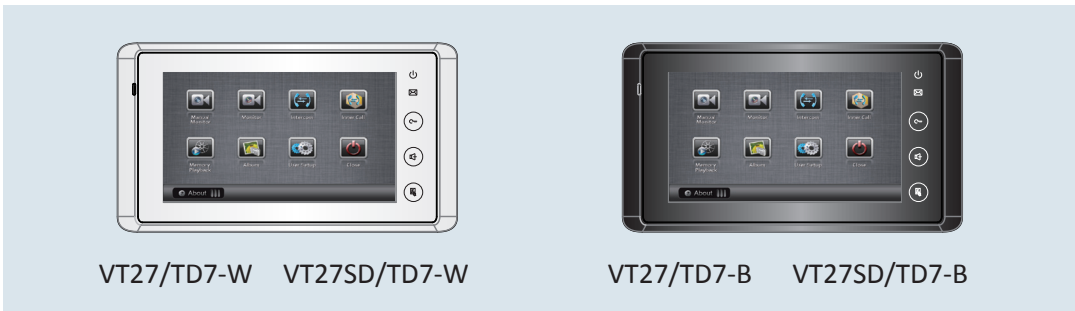
## 2. Monitor Mounting



### 3. Specification

- \* Power Supply : DC 24V (supplied by PS4-24V or PS5-24V)
- \* Power Consumption: Standby 15mA; Working status 400mA;
- \* Display Device: 7" Digital TFT screen with 16:9 rate;
- \* Resolution: 800\*480 pixel
- \* Memory: E.128MB inner flash memory, Micro mini SD card;
- \* Picture Format: TVS (JPG)
- \* Wiring: 4 wires(Polarity)
- \* Monitor Dimension: 125(H)X 225(W)X28(D)mm;
- \* Gross Weight: 0.69KG

### 4. Ordering Information for Monitor



Model No.	Brief Description	Menu style*2
VT27/TD7-W	7 inch digital color TFT screen monitor with touch screen operation& white housing	Color icon menu
VT27/TD7-B	7 inch digital color TFT screen monitor with touch screen operation & black housing	
VT27SD/TD7-W	7 inch digital color TFT screen monitor with touch screen operation & picture memory & white housing	
VT27SD/TD7-B	7 inch digital color TFT screen monitor with touch screen operation & picture memory & black housing	

Remark: NTSC, PAL must be specified on monitor with picture memory function;

## 5. Optional Accessories (Not included)

Item	Brief Description	Remark
Micro SD Card	Micro SD card for picture memory	2G/4G/8G/16G
DB1-W	Desk top bracket in white color	For desktop mounting
DB1-B	Desk top bracket in black color	For desktop mounting

## 6. Packing Information



Dimensions: 163(H)×242(W)×38(D)mm

Gross Weight: 0.69Kg



Carton: 530 (H)×340 (W)×258 (D)mm

Quantity: 24PCS

## 7. App: Menu style



Color icon menu style