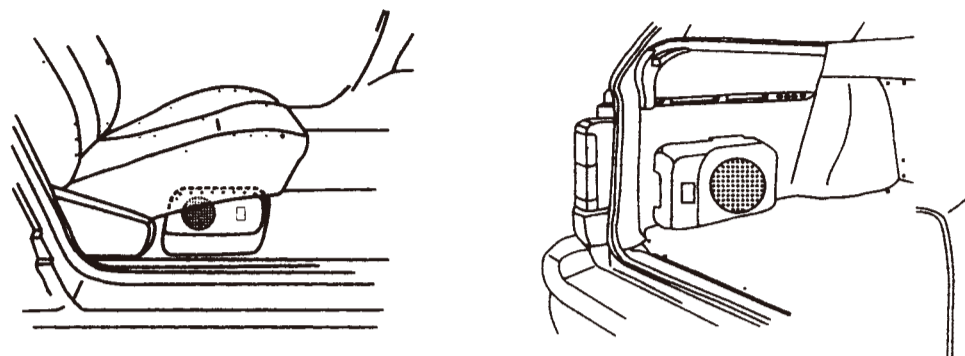
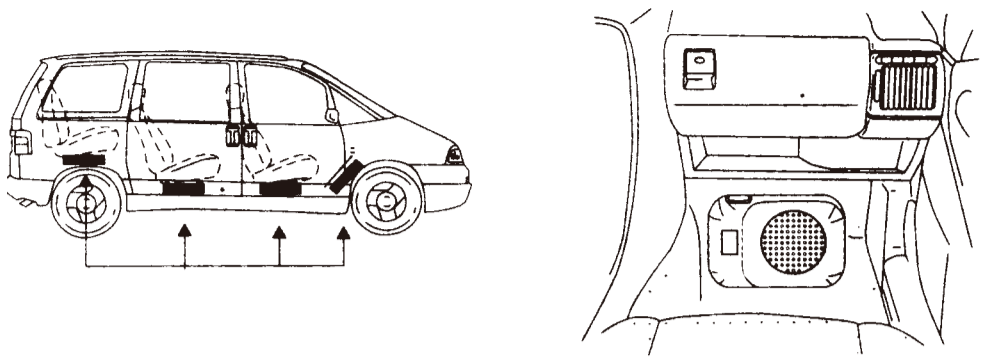
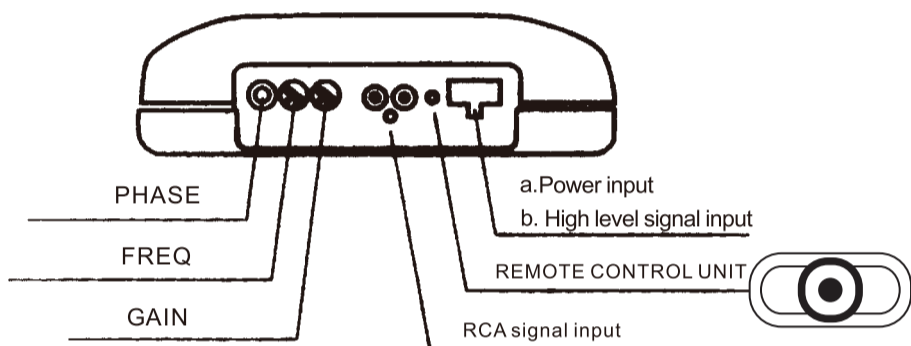




Subwoofer placement

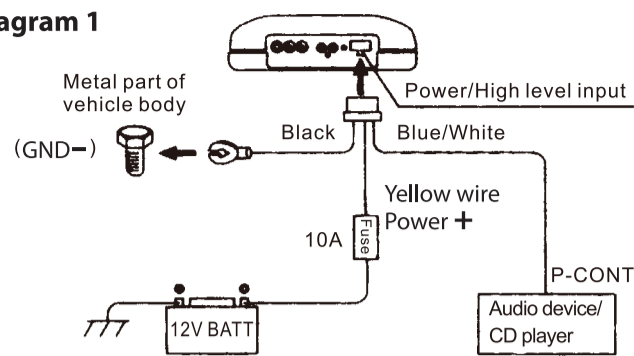


Controls & connections

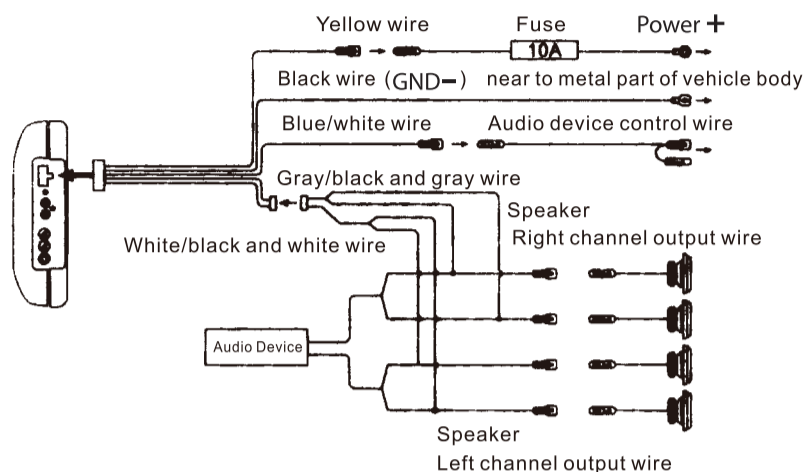


Wiring configurations

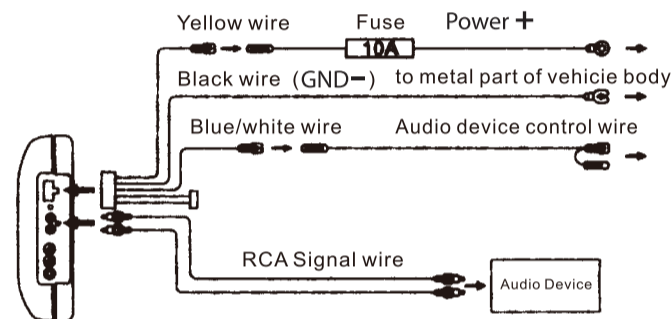
Wiring Diagram 1



Wiring Diagram 2 (High level input)



Wiring Diagram 3 (Low level RCA input)



Features & specifications

- Dual 2 ohm Voice Coil
- Slim woofer: 8 inch
- Maximum output power: 150W
- Frequency: 20-120Hz
- S/N(A): 90dB
- Maximum current consumption: 10A
- RCA input: 80mV
- Speaker input: 0.8V
- Voltage: 14.4V (11-15V)
- Die Cast Aluminium
- Includes wiring harness for high level input installation
- For low level RCA installation, RCA leads required (not included)
- Remote control for subwoofer level
- Phase switch: 0° or 180°
- Gain control
- Auto turn on/off for OEM systems
- Circuit protection: Thermal, Short & Overload
- Size: 345(L) x 235(W) x 78(H) mm

Technical assistance

If you need assistance setting up or using your CRYSTAL M product now or in the future, call CRYSTAL M Support.

Australia

TEL: 03 – 8587 8898

FAX: 03 – 8587 8866

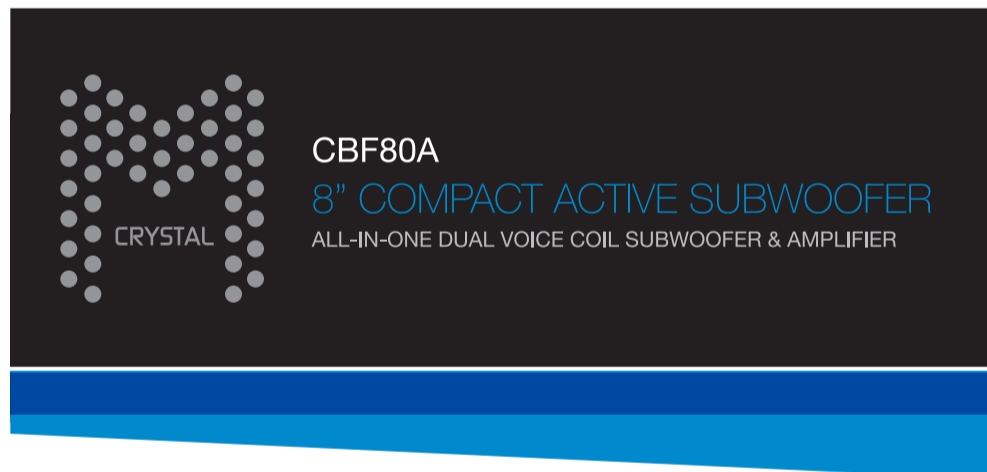
Mon-Fri 9am – 5pm AEST



This manual is considered correct at time of printing but is subject to change. For a downloadable manual go to the web address <https://tdj.com.au/firmware/CRYSTAL M/> and search for your model.

Copyright © 2021 by TDJ Australia

All rights reserved. No part of this publication may be reproduced, distributed, or transmitted in any form or by any means, including photocopying, recording, copying or other electronic or mechanical methods, without the prior written permission of the author.



150W



2+2
OHM OHM

FOR
OEM
SYSTEMS

REMOTE
BASS
CONTROL

RCA
INPUT