

GRUNDIG

GX-33

User Guide

i-Headset Private Mode



12/24V Bluetooth



Front

Get started

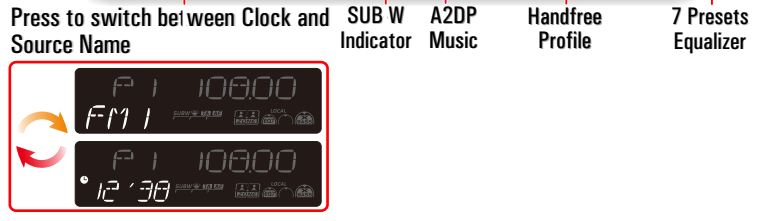
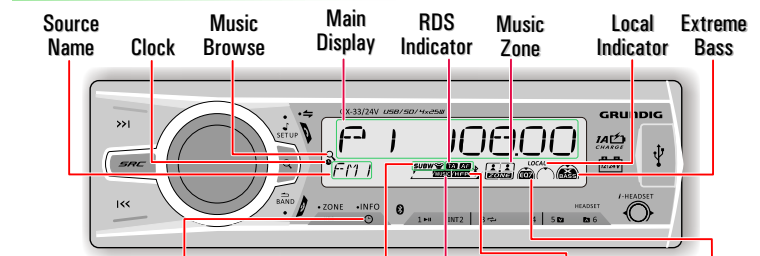


Select suitable country area for this unit:

- ◆ EUROPE (Eastern/Western Europe)
- ◆ RUSSIA (Russia)
- ◆ JAPAN (Japan)
- ◆ LATIN (Latin America)
- ◆ MID-EAST (Middle East)
- ◆ OCEANIA (Australia)
- ◆ USA (United States)
- ◆ ASIA (Asia Pacific)

NOTE Select suitable country area for this unit, otherwise the unit can not work properly.

Overview of the unit



Select the available Source.

- ◆ Short press to mute or restore volume.
- ◆ Turn the unit on. Press and hold again to turn the unit off.
- ◆ Confirm selection.
- ◆ Rotate to adjust Volume.
- ◆ BT Handfree Mode: Press to answer the call. During the talking, press to switch between iHeadset mode and Speaker output.
- ◆ BT Audio Mode: Press to Play/Pause.

>>| |<<< Tuner Mode: Press to enter into the Auto Seek mode, press and hold to enter into the Manual Seek mode.

Media Playback Mode: Press to track Up/Down, press and hold for fast forward/backward.

BT Audio Mode: Press to track Up/Down.

SETUP Short press to access into the Audio Menu mode to adjust the below options: EQ7 -> BASS -> TRE (Treble) -> BAL (Balance) -> FADER

Press and hold to access into the Setup Menu.

BT Handfree Mode: During a telephone conversation, press and hold to transfer the call back to the Handphone for privacy.

Q Tuner Mode: Press to access into Auto Store mode, the six strongest stations of the selected band will be saved in preset channel automatically: FM1, FM2, FM3(1-6), AM1, AM2.

Media Playback Mode: Press to access into search Folder/File music mode.

BAND Returns to the previous item.

Tuner Mode: Select the FM bands (FM1/FM2/FM3) or AM1/AM2.

BT Handfree Mode: To reject/lend a call.

ZONE Turn On or Off the Xbass booster function.

XBS Press and hold to select the music zone setting. You can switch the music listening zone from driver to passengers for the best speaker sound settings in car.

INFO Press to switch between Clock and Source Name.

Tuner Mode: Press to view RDS received information.

Media Playback: Press to view ID3 informations.

Preset Numeric Buttons Tuner Mode: Press the Numeric buttons to recall the preset stations. Press and hold the Numeric buttons to store the listening station.

Media Playback: Press the Numeric buttons to perform the below operation:

1 Play/Pause 2 Intro 3 Repeat 4 Folder Down 5 Folder Up 6

BT Handfree Mode: During the talking, press M6 to switch between iHeadset and Speaker output.



Use Bluetooth Device

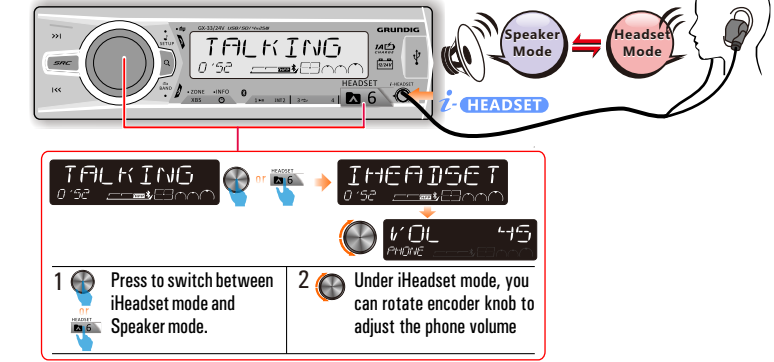
◆ **Pairing the Bluetooth device**
On your Bluetooth-enabled device, follow the steps below.
1. Search for Bluetooth devices.
2. In the device list, select **GRUNDIG**
3. Enter the default password "0000", and then confirm the password entry.
↳ If the pairing is successful, [PAIRED] will be displayed on the LCD screen of this system.

◆ **Making a call**
You can dial number through the mobile phone.
1. Use the Mobile Phone to dial and make an outgoing call
2. Once completed the dialing, the phone number and [CALL...] is displayed.

◆ **Receiving a Call**
1. If there is an incoming call, the phone number will be displayed, if the incoming call has no phone number, [PHONE IN] will be displayed.
2. Press to answer / accept the call.
3. When conversation ends, press to terminate the call.

◆ **Call Transfer**
You can transfer voice from car speakers to mobile phones during a telephone conversation. During a telephone conversation, press and hold voice transfers from car speakers to mobile phone.

i-Headset private mode



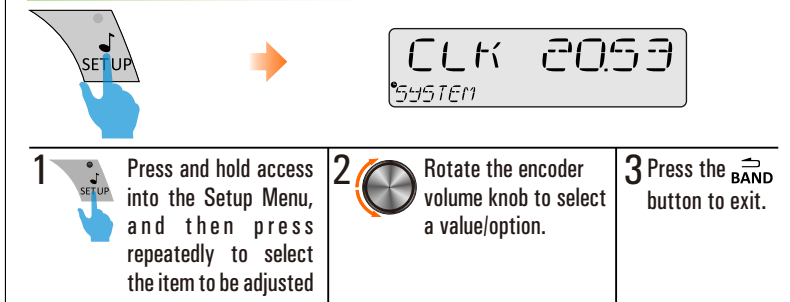
Keeping your telephone conversation in privacy by using this unit's unique iHeadset feature:

1. Plug in the Handfree headset or earphone into the iHeadset socket.
2. During a telephone conversation, to switch to "iHeadset" mode by pressing the or buttons, so the voice from the other end can only be heard thru the headset or earphone. Pressing either one of these 2 buttons again to resume to handfree speaker mode.

◆ **Bluetooth Audio Streaming A2DP**
If the connected Bluetooth device supports Advanced Audio Distribution Profile (A2DP), you can listen to the music stored on the device through the unit. If the device also supports Audio Video Remote Control Profile (AVRCP) profile, you can use the control on the unit or its remote control to play music stored on the device.

1. Press **SRC** repeatedly to select [BT AUDIO].
2. Press to start play, press it again to pause.
3. To track up/down, press >>| |<<<.
4. Press **INFO** to view song title information.

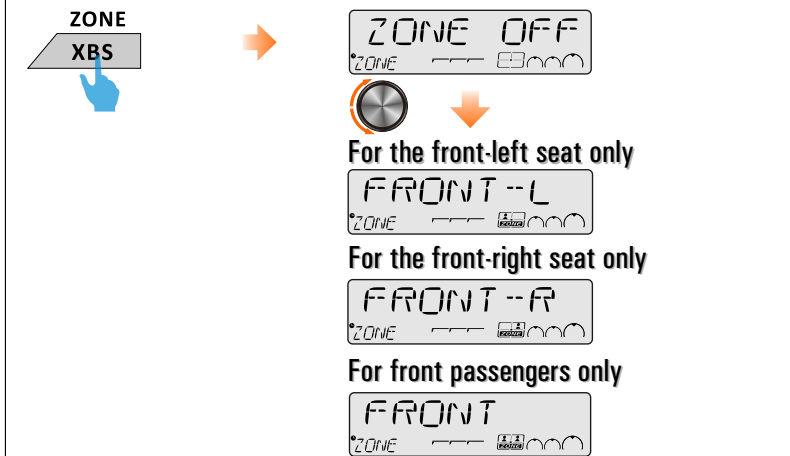
Adjust Setup Menu Settings



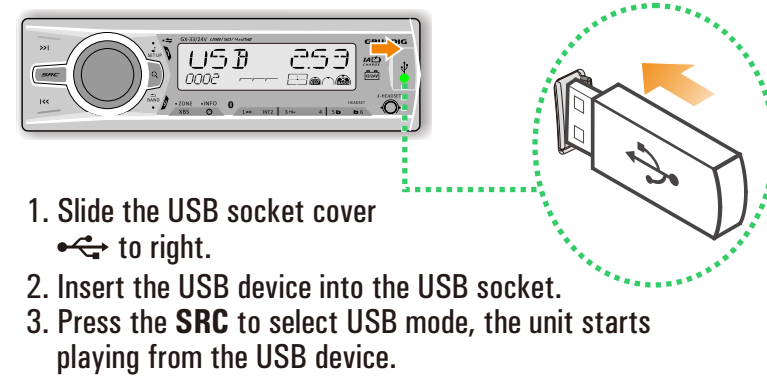
Item	Selectable setting
RE-CON /DIS-CON	This feature allows to Re-connect or Dis-connect to the paired mobile phone or Bluetooth device by manually.
Clock Set	Adjust the Hours and Minutes
Clock Format	Select the time format 12H or 24H
Beep Tone	Turn On or Off this beep sound
LOC On/Off	<ul style="list-style-type: none"> ◆ ON: only stations with strong signal can be broadcast. The Local indicator will light up ◆ OFF: Stations of both strong and weak signals can be broadcast.
Area	Select suitable country area for this unit: EUROPE; RUSSIA; JAPAN; LATIN; MID-EAST; OCEANIA; USA; ASIA
RDS On/Off	Turn On or Off the RDS function.
AF (Alternate Frequencies)	<ul style="list-style-type: none"> ◆ ON: The unit will search for another station with stronger signal, but with the same program identification as the current station automatically. ◆ OFF: Turn off AF function
TA (Traffic Announcement)	<ul style="list-style-type: none"> ◆ ON: When there is traffic announcement, unit will automatically switch to the tuner mode (regardless of the current mode) and begins to broadcast the announcement on traffic conditions. When the traffic announcement is over, unit will automatically return to the previous mode. ◆ OFF: Traffic announcement does not cut in.
CT (Clock Time)	<ul style="list-style-type: none"> ◆ ON: Turn on the RDS clock. Time shown on the unit will synchronize with the clock time of the RDS station. ◆ OFF: Turn off the RDS clock.
PTY (Program Type)	<p>Once inside the PTY mode, press the get into program type item, and rotate encoder volume knob to selected category.</p> <p>◆ Available Program Type: POP M; ROCK M; EASY M; LIGHT M; CLASSICS; OTHER M; JAZZ M; COUNTRY; NATION M; OLDIES M; FOLK M; A-TEST; ALARM; NEWS; AFFAIRS; INFO; SPORT; EDUCATE; DRAMA; CULTURE; SCIENCE; VARIED; WEATHER; FINANCE; CHILDREN; SOCIAL; RELIGION; PHONE IN; TRAVEL; LEISURE; DOCUMENT</p>

Switch music listening zone

This unit is equipped with the most innovative Zone technology which enables driver or passengers to enjoy music with the best speakers balance and experience more vivid sound effect as the artist is intended to create. You can switch the music listening zone from driver to passengers for the best speaker sound settings in car.

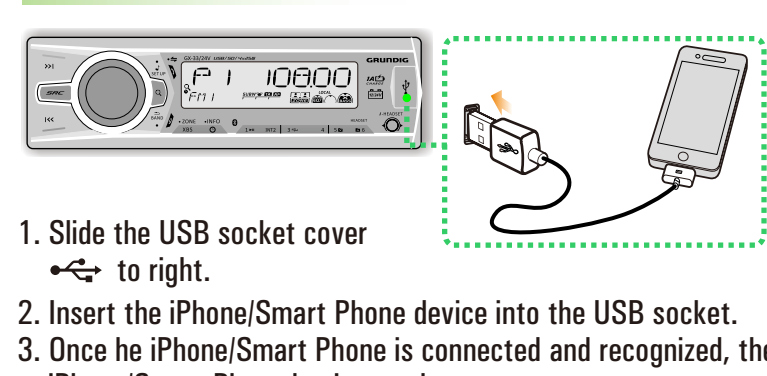


Playing a USB device



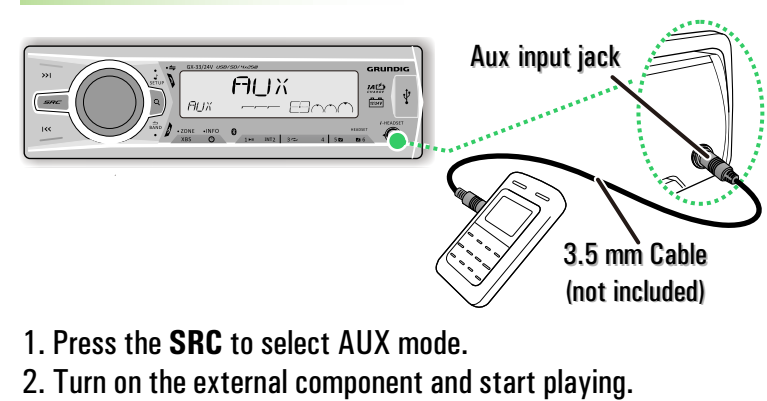
1. Slide the USB socket cover to right.
2. Insert the USB device into the USB socket.
3. Press the **SRC** to select USB mode, the unit starts playing from the USB device.

Playing a SD Card



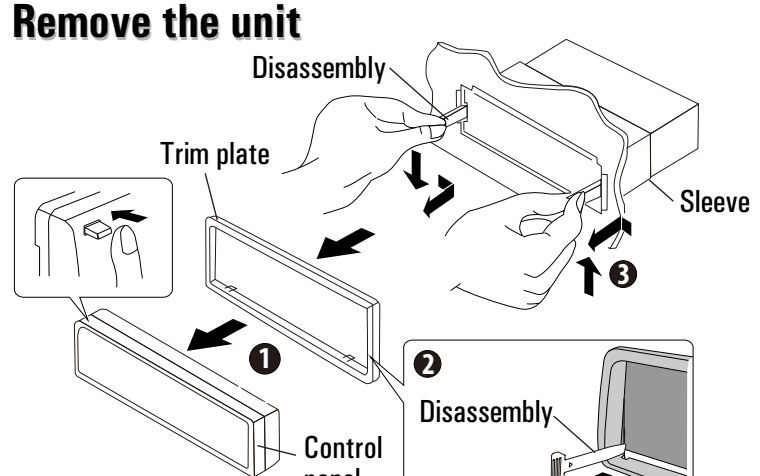
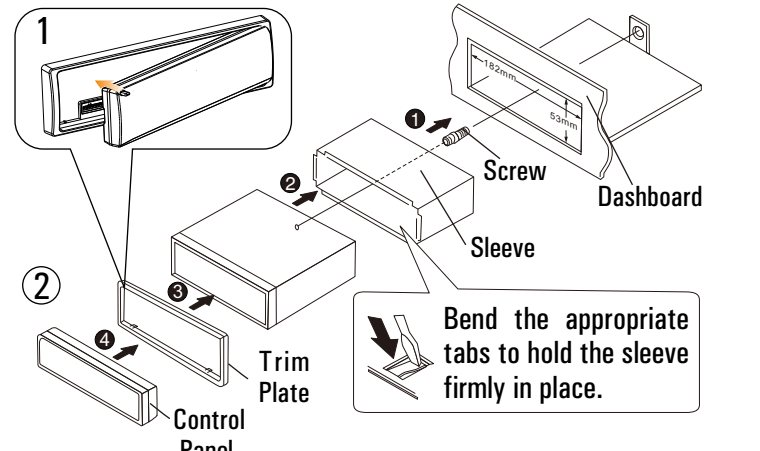
1. Press the **SRC** to select AUX mode.
2. Turn on the external component and start playing.

USB Smart Phone 1A charging

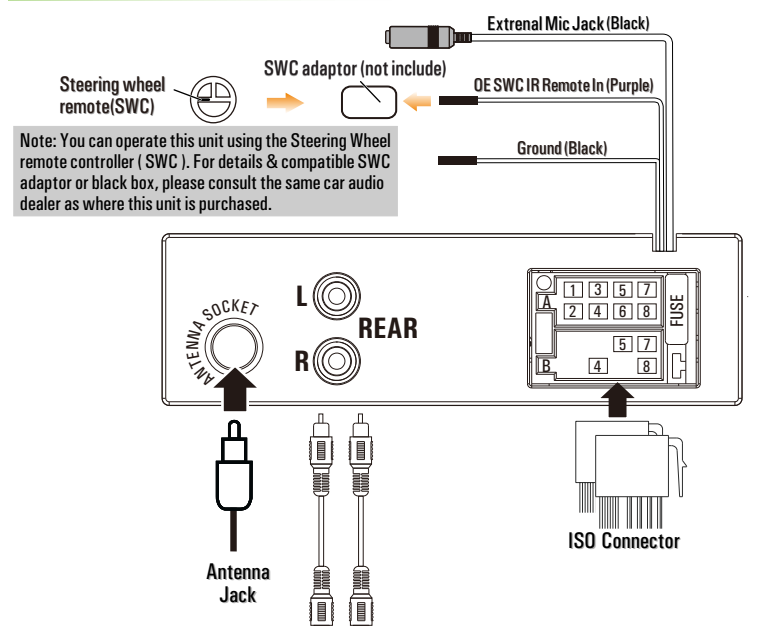


NOTE This USB only can charge Phones, but cannot play or decode music files stores inside the Smart Phones.

Installing the unit



Wiring Connection



ISO Connector Wiring Chart

Pin	Color and function	Pin	Color and function
A4	Yellow Battery(+)	B1/B2	Violet ⊕ / Violet/Black ⊖ Right rear speaker
A5	Blue Connect to system control terminal of the power AMP or auto antenna relay control terminal (Max 150mA 12VDC)	B3/B4	Grey ⊕ / Grey/Black ⊖ Right front speaker
A7	Red Ignition(ACC)	B5/B6	White ⊕ / White/Black ⊖ Left front speaker
A8	Black Ground	B7/B8	Green ⊕ / Green/Black ⊖ Left rear speaker

Product Specifications

General	
Power Supply	12-24V DC, negative ground
Fuse	15A
Suitable speaker impedance	4-8 Ω
Maximum power output	25W x 4
Continuous power output	15W x 4RMS (4 Ω 10%T.H.D)
Pre-AMP output voltage	2.0V
Aux-In level	≥500mV
Dimension (WxHxD)	188 x 58 x 110mm
Radio Tuner	
Frequency Range	FM 87.5MHz to 108.0MHz
	AM 522kHz to 1620kHz
FM Tuner	Usable Sensitivity (S/N = 20dB) 0.8uV
AM Tuner	Sensitivity/Selectivity (S/N = 20dB) 30 uV
Supports Audio Format	
Maximum MP3/WMA Songs	65535
Maximum MP3/WMA Folder	255
Maximum Songs per Folder	65535
USB Device	
USB	2.0 High Speed
USB Port	1.0A
USB Voltage	5.0V
Maximum USB Memory Size	32G
USB Flash Drive and Hard	FAT16/FAT32
SD Card	
Support Type of SD Card	SD/SDHC
Maximum Capacity	32G
Bluetooth	
Output Power	Class 2
Frequency Band	2.4000 Ghz - 2.4835Ghz ISM Band
Range	3 meters (free space)
Standard	Bluetooth 2.0 specification
Compatible Bluetooth Profiles	Hands-Free Profiles (HFP) A2DP(Advanced Audio Distribution Profile) AVRCP1.3(Audio/Video Remote Control Profile)

Size: 420x296mm (After Folding size: 105x148mm)
 Color: 4 color printing
 Paper: 105g粉纸
 Printing: Double side printed