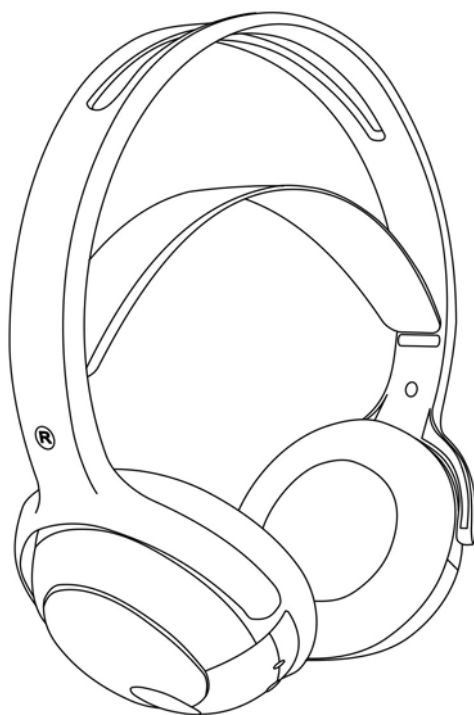


prolink

**STEREO
INFARED HEADPHONE
IR432**



OWNER'S MANUAL

INTRODUCTION

This system gives you complete freedom to enjoy your music without the inconvenience and limitations of headphone cables. To ensure the best performance of your stereo IR system. Please read this document carefully.

FEATURES

1. Transmits the stereo audio signal from your audio or video source to your IR headphone without wires.
2. Uses high-frequency IR rays to carry audio signal, ensuring clear, sharp reception.
3. Rechargeable batteries for powering the headphones.

WHAT IS INCLUDED ?

1. IR Stereo Headphone
2. Rechargeable batteries
3. Owner's Manual

EXPLANATION OF CONTROLS

On the IR stereo headphone receiver (see Figure 1)

1. Power on/off LED indicator.
2. Volume control.
3. Power on/off switch.
4. IR sensors, to receive IR light from the transmitter.
5. Recharge cable input socket to recharge the batteries of the IR headphone.
6. Charge LED indicator.

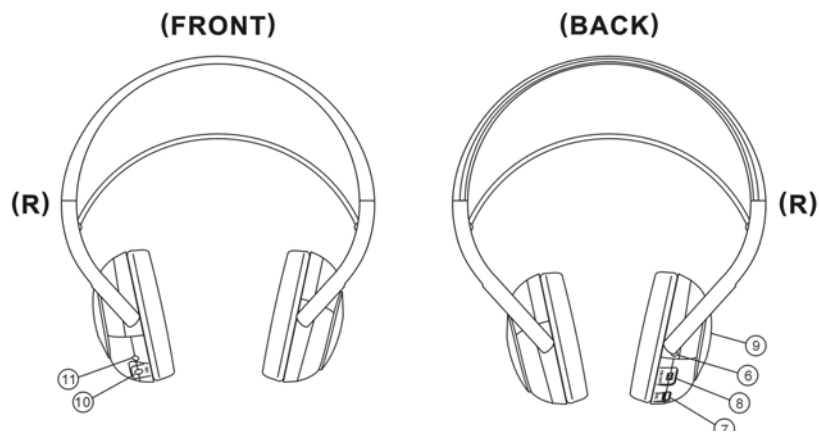


Figure 1

INSTALLATION

1. Take out the earpad with battery cover, Insert two AAA rechargeable batteries into the left and right battery compartment, ensuring that the polarity is correct. (Figure 2)
2. Note : Before using the IR headphone for the first time, please ensure that batteries are fully charged for 10 hours. This will guarantee a longer operating lifetime of the batteries.

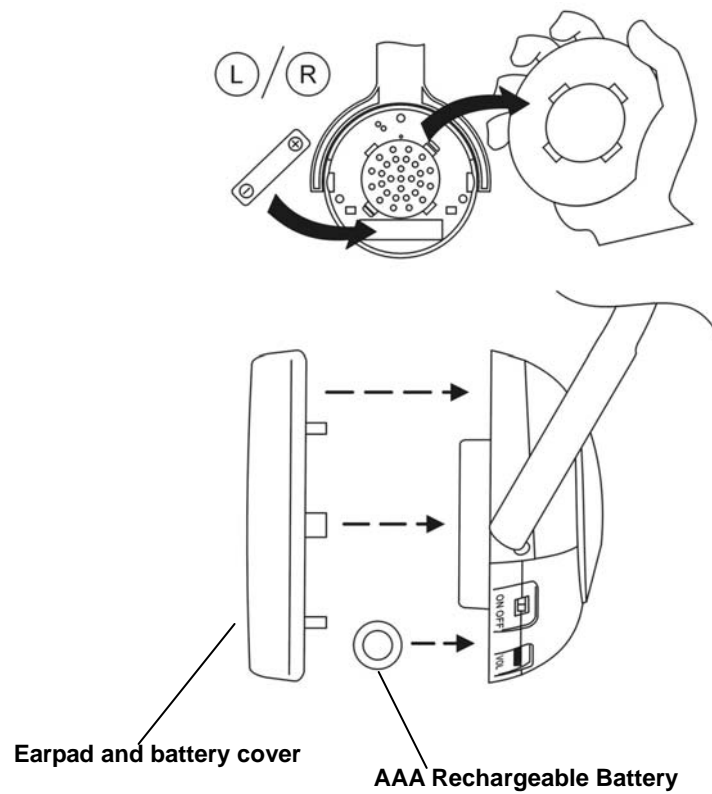


Figure 2

OPERATION

1. Switch On the IR transmitter and place it at the same height or slightly higher than the reception height of the IR headphone.
2. Position the infrared LEDs towards the listening area, ensuring that there are no obstacles in between.
3. Switch the IR headphone On.
4. Set the volume control to maximum on the IR headphone.
5. While listening to your IR headphone adjust the volume of the signal source to the headphone's maximum acceptable sound level.
6. Adjust volume control of the IR stereo headphone to a comfortable listening level.

RECHARGING

1. Switch Off the power of the headphone before charging.
2. Note : Before using the IR headphone for the first time, please ensure that the batteries are fully charged for 16 hours. This will guarantee a longer operating lifetime of the batteries.
3. Connect the recharge cable from the transmitter into the charge input of headphone.

4. The charge indication LED on the headphone will light to indicate that the batteries are charging.
5. The batteries are fully charged after charging for at least 16 hours. Do not charge longer than 24 hours this will reduce battery performance. After charging, disconnect the headphone from the recharge cable.

POSITIONING OF TRANSMITTER

1. Place the transmitter unit so that the IR transmitter LED approximately faces the center of your listening area. (Figure 5)
2. Because IR light travels in a straight line, place the transmitter at the same height, or slight higher than the reception height of the IR headphone.
3. High IR light content such as sunlight and bright incandescent indoor lighting may degrade the audio signal and cause interference. If you experience such problems, simply move the system to a darker area.

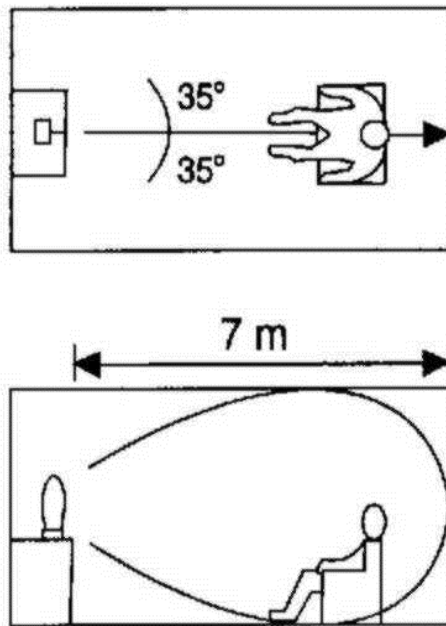


Figure 5

SPECIFICATION

System	:	Infrared (IR)
Carrier frequency	:	Left channel 2.3MHz Right channel 2.8MHz
Modulation	:	FM
Power supply transmitter	:	100mA, 12V DC
Power supply headphone	:	2 x AAA rechargeable batteries
Frequency response	:	40 – 12000 Hz
S/N ratio	:	50dB
Distortion	:	1% THD
Channel separation	:	40dB