

# POWERTECH

## MP3802 SWITCHING POWER SUPPLY

### INSTRUCTION

MP3802 is lightweight, high performance, high efficiency, durable, switching power supply and with highly visible back light, easy to read dual meters .

### Specification

Input voltage: AC 90~125 or AC 200~240 inside selectable

Output voltage :MP3802 DC 0.0V~16V variable

Output voltage regulation : less than 1%

Ripple: less than 9mVp-p at rated load

Protection:

1 short protection: it will reduce the output voltage down to 0.1v Amps down to 0.4Amps and the warning led will light up

when short condition remove it will automatic restart the power supply to normal condition.

2 overload protection: same as above

3 over temperature protection: MP3802 has two stage over temperature protection .

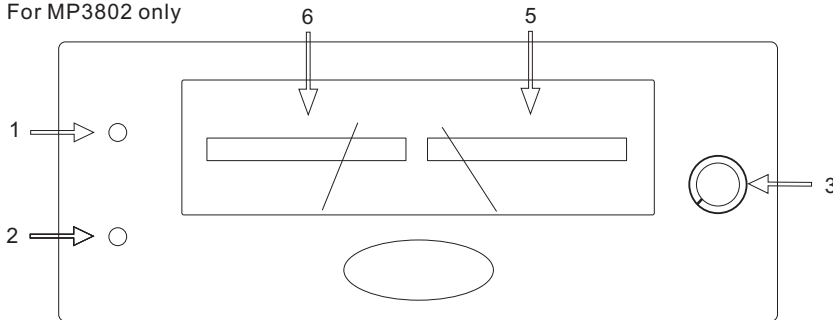
Output current: MP3802 Max DC16V 25A DC13.8 30A 12V 30A DC10.0V 30A DC5V 32A DC3V 35A  
DC2.0V 30A DC1V 5A

Dimension :165(D)X147(W)55(H)mm

Weight : MP3802 1.3Kg

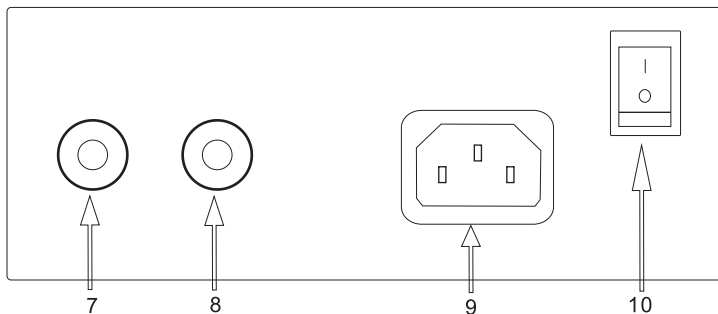
### Function Description

Fig 1. For MP3802 only



- 1 Power indicator : Light up when the unit turn on.
- 2 Warning indicator: Light up when output terminal short or over load, over voltage( preset 16Dcv), component over hot.
- 3 Voltage adjust knob: Turn clockwise increase the output voltage ,when at center position factory preset Dc 13.8v.

Fig 2.



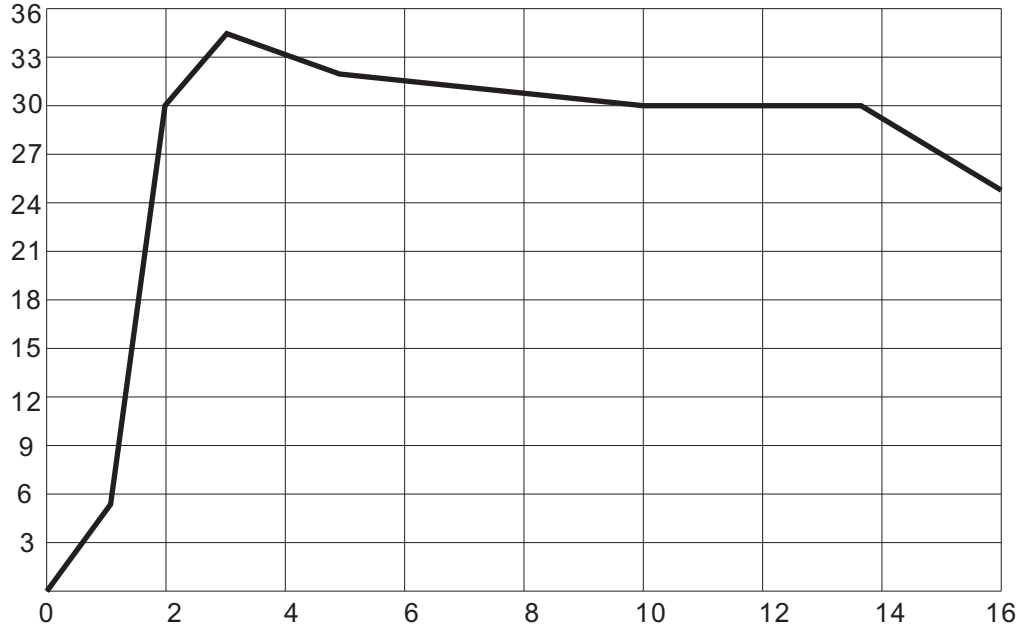
- 5 Amps indicator meter: Display the output current when connect any device.
- 6 Voltage indicator meter: Display the output voltage.
- 7 Output terminal: Negative polar of Dc output
- 8 Output terminal: Positive polar of Dc output
- 9 Ac input socket: Ac 90v~120v or Ac 200v~240v
- 10 Power switch: Turn the unit on or off

## Caution

- 1 This power supply is natively ground, always use the AC outlet with ground terminal.
- 2 Before replacing a fuse make sure you have unplug the Ac plug and never use unproperly fuse value.
- 3 Do not block the air convention slits to keep the efficient heat radiation.

**Ampere**

**Voltage VS output Ampere**



→ **MP3802**

**Voltage**