

**Classic  
Woofer**



**Type Number:** M17WG-09-08

**Features:**

The Classic line consists of all the highly regarded transducers that have been appraised and loved by so many customers over the years. The goal has been to assemble all the diamonds, developed over the years, speakers that fully live up to the heritage of the brand.

Driver Highlights: 6½" midwoofer, magnesium chassis, coated paper cone



**Specs: DISCONTINUED - ARCHIVED**

**Electrical Data**

Nominal impedance	Zn	8	ohm
Minimum impedance	Zmin	--	ohm
Maximum impedance	Zo	--	ohm
DC resistance	Re	--	ohm
Voice coil inductance	Le	0.8	mH

**T-S Parameters**

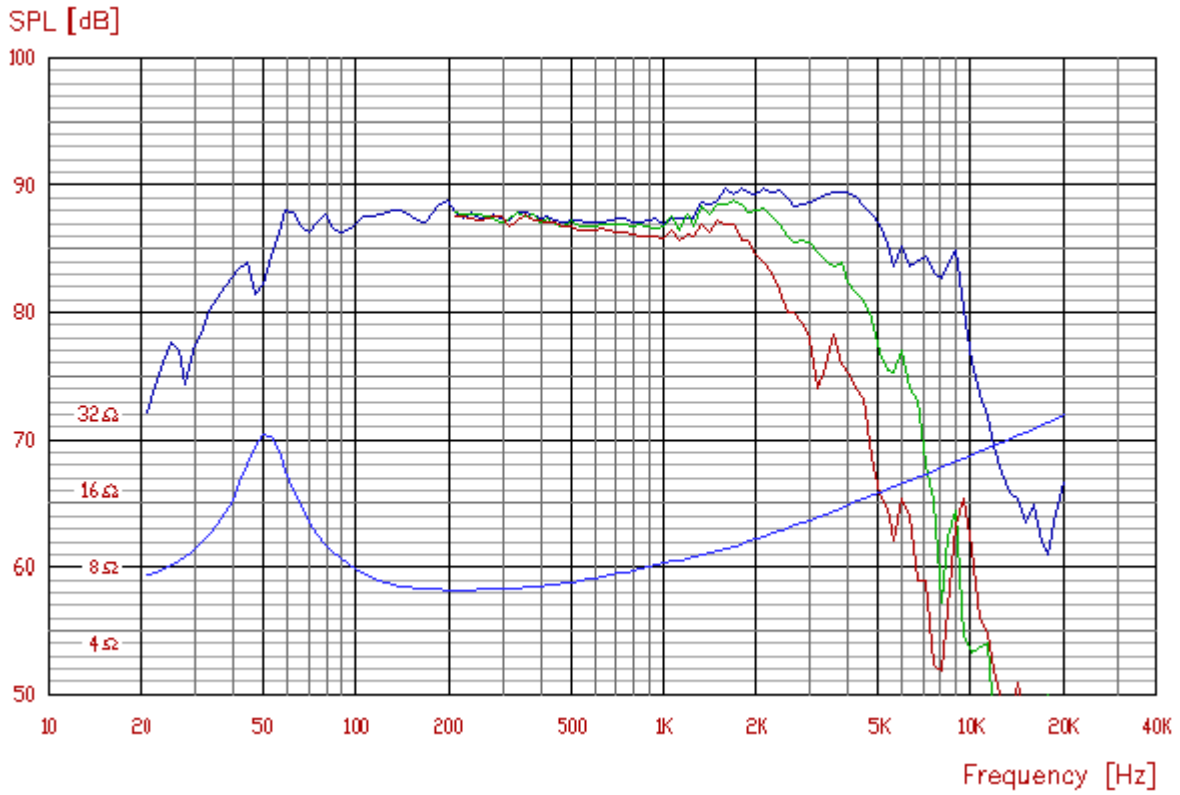
Resonance Frequency	fs	44	Hz
Mechanical Q factor	Qms	2.77	
Electrical Q factor	Qes	0.56	
Total Q factor	Qts	0.46	
Ratio fs/Qts	F	--	
Force factor	Bl	5.6	Tm
Mechanical resistance	Rms	--	Kg/s
Moving mass	Mms	11	g
Suspension compliance	Cms	--	mm/N
Effective cone diameter	D	--	cm
Effective piston area	Sd	143	cm <sup>2</sup>
Equivalent volume	Vas	34	ltrs
Sensitivity		89	dB
Ratio BL/√(Re)		--	

**Power handling**

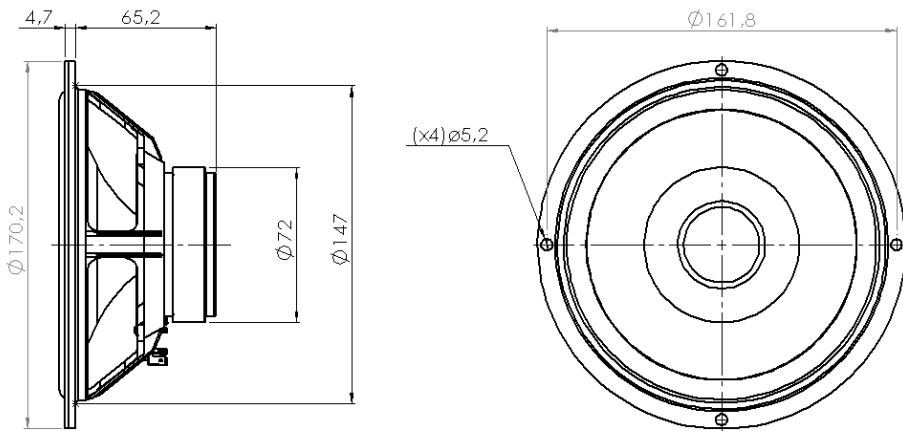
100h RMS noise test (IEC)	--	W
Long-term Max System Power (IEC)	--	W
Max linear SPL (rms) @ power	--	dB/W
Short Term Max power	--	W

**Voice Coil and Magnet Parameters**

Voice coil diameter	25	mm
Voice coil height	10	mm
Voice coil layers	--	
Height of the gap	6	mm
Linear excursion +/-	--	mm
Max mech. excursion +/-	--	mm
Flux density of gap	--	mWb
Total useful flux	--	mWb
Diameter of magnet	--	mm
Height of magnet	--	mm
Weight of magnet	0.24	Kg



**Mechanical Dimensions:**



M17WG-09-08