

## SPECIFICATIONS

Video / Audio Format	in: USB-C Alt-Mode out: HDMI Type-A
HDMI Standard	Support HDMI 1.3a and HDCP 1.3
Resolution	1080p / 60Hz
Frequency Range	WiFi 5GHz
Channel Bandwidth	20MHz or 40MHz
RF Power	Output 10dBm max.
Distance	max. 30m (100ft) line of sight (no walls)
Latency	Less than 0.2 sec
Antenna Type	Inside PCBA Antenna
Power Supply	TX: 5V/0.5A max. (USB-C connector) RX: 5V/0.9A max.

## NOTICE

- Manufacturer reserves the right to make changes in the hardware, packaging and any accompanying documentation without prior written notice.



- The terms HDMI, HDMI High-Definition Multimedia Interface, HDMI Trade dress and the HDMI Logos are trademarks or registered trademarks of HDMI Licensing Administrator, Inc.
- WTR-1500C incorporates HDMI® technology.

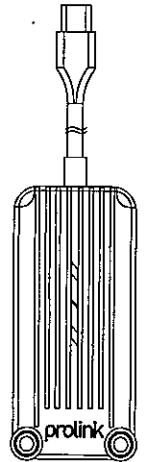
# prolink

## Wireless HD Portable Transmitter & Receiver Kit

Incorporates HDMI® technology

Model: WTR-1500C

- 1080P Wireless USB-C Transmission
- Transmitter One-click screencast
- Long distance: up to 30m ( L.O.S )



## INTRODUCTION

The WTR-1500C portable wireless transmitter and receiver is a versatile and convenient solution for transmitting high-definition video and audio without the need for cables. Ideal for entertainment and presentations, it allows users to effortlessly transmit 1080P@60Hz content from USB-C smart phone, laptops, PCs, and other devices to HDTVs, projectors, and monitors up to 30 meters away.

This device ensures a stable and high-quality connection, maintaining clear visuals and synchronized sound. Super compact and lightweight, it is easy to set up and carry, making it perfect for office, home and on-the-go use.

The transmitter features a button that allows you to quickly pause or restart the screen mirroring, offering extra flexibility and ensuring the protection of your private content. Experience the freedom of wireless connectivity, anytime, anywhere.

## PACKAGE CONTENTS

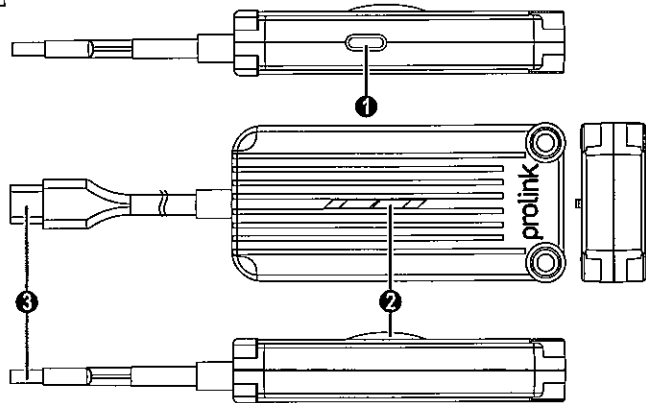
- 1x WTR-1500C Transmitter main unit
- 1x WTR-1500C Receiver main unit
- 1x Powering cable (USB-A to USB-C cable) for RX
- User Manual

## FEATURES

- Transmitter One-click screencast
- Supports resolution:1080p/60Hz
- 5 GHz wireless frequency for smooth transmission
- Long distance transmission up to 30m (L.O.S)
- Low latency: 0.2 sec. max
- Support H.264 compressing
- Plug-N-Play, no software or App needed
- **Receiver Output:**  
HDMI output, compatible with standard display devices
- **Transmitter Input:**  
USB-C input, enabling content casting from laptops and smartphones.

## INTERFACE

**Transmitter-TX**



No.	Name	Description
1	Power Supply port (USB-C)	Type-C external power Supply. Connecting external power to charge your mobile devices.
2	Click Button (Indicator Light)	Quick pause and restart screen mirroring. When the LED is lit, it shows corresponding device activates.
3	INPUT	USB-C signal input port. Connect USB-C source devices like Computer, Laptop, Type-C Mobile Phones, Tablets.

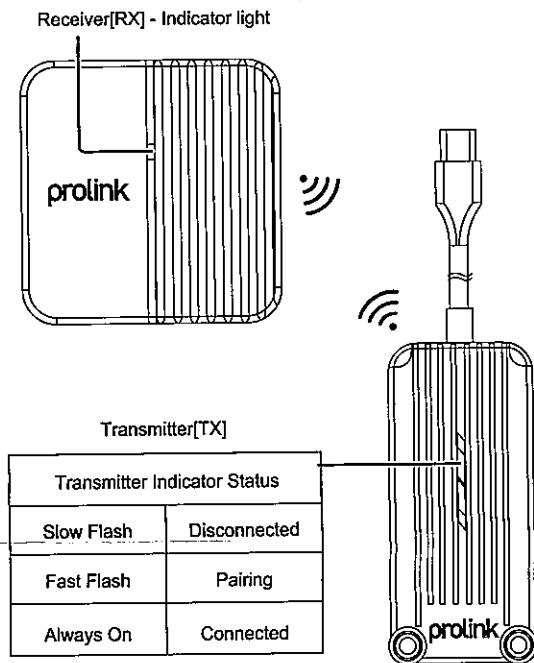
## TROUBLE SHOOTING

No.	Problem	Solution
1.	No video output	<ul style="list-style-type: none"> <li>•Make sure all cables are firmly inserted into the input/output ports.</li> <li>•Make sure the source USB-C port can support video output.</li> </ul>
2.	Transmitter failed to start up or turns on and off repeatedly	<ul style="list-style-type: none"> <li>•Check the USB-C port power supply.</li> <li>•Make sure the source USB-C port can support video output and enough power current output.</li> <li>•Make sure the TX and RX has paired and connecting.</li> </ul>
3.	Your screen is not shown on the display when pressing the button.	<ul style="list-style-type: none"> <li>•Make sure the source USB-C port can support video output and enough power current output.</li> <li>•Make sure the TX and RX has paired and connecting.</li> </ul>
4.	Poor Wi-Fi connectivity	<ul style="list-style-type: none"> <li>•Please try to minimize interference from other wireless device or heavy power consumption house ware (ex. Wi-Fi Router, Microwave, air conditioner...).</li> <li>•Avoid covering the Transmitter and Receiver by any objects.</li> </ul>

## PAIRING INSTRUCTIONS

\*The receiver and transmitter have been paired at the factory.

\*In case of pairing failure due to improper operation or other circumstance during use, it is necessary to restore and repair the device as follows:



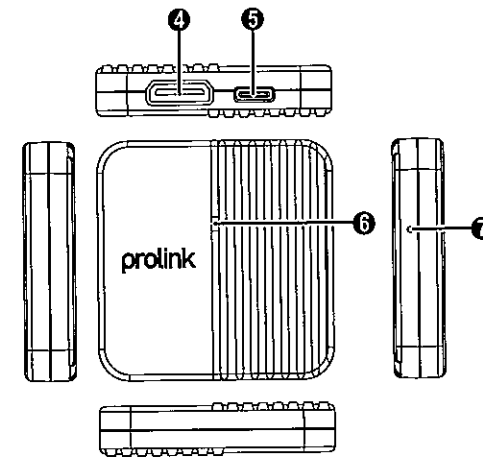
**Step 1.** Stick the pin into the receiver "RESET" hole for 3 to 6 seconds and release, it will enter the pairing mode.

**Step 2.** Press the button on the transmitter for more than 3 seconds until the light become off and release, the light status become fast flashing to be paring with the receiver.

**Step 3.** When the indicator on transmitter is always on, the connection is completed.

**Step 4.** Press the main button on the transmitter to quickly pause or restart the screen mirroring

## Receiver[RX]

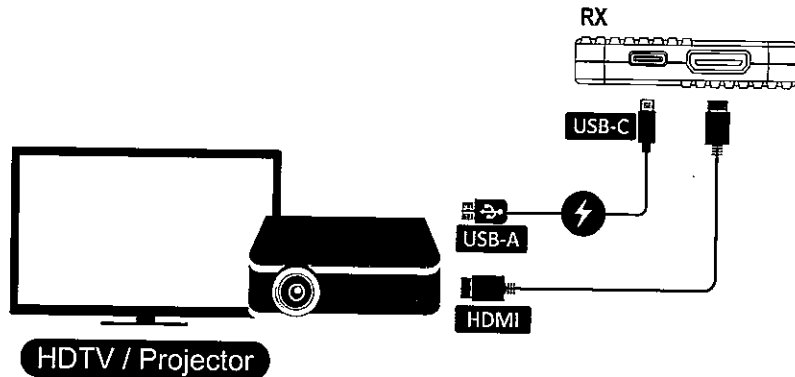


No.	Name	Description
4	OUTPUT	HDMI signal output port. Connect to display devices like monitors, TV, etc
5	DC 5V (USB-C)	Connect the power cable to the USB jack on the receiver and a USB port for TV.
6	Indicator Light	When the LED is lit, it shows corresponding device activates.
7	RESET	In case of pairing failure due to improper operation or other circumstance during use, it is necessary to restore and repair the device. (Refer to page.6 for detail)

## CONNECTION & OPERATION

### Combination of receiver and transmitter, plug and play

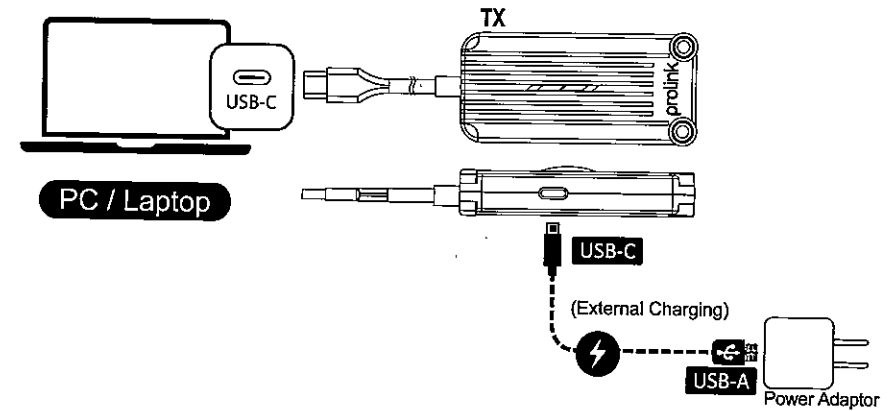
**Step 1.** Connect the HDMI cable from the receiver's HDMI **output** port to the HDMI input port on your display device, such as an HDTV, projector, or monitor.



**Step 2.** Connect the power cable to the receiver's USB power jack and HDTV's **USB** port. The screen on the WTR-1500C receiver will display as shown below.



**Step 3.** Plug the WTR-1500C Transmitter into the USB-C port of your **USB-C** device (laptop, tablet, or mobile device).



The transmitter and receiver will automatically begin establishing a connection. Wait a few seconds until the flashing light on the transmitter stops and turns solid.

Once the connection is established, the display will show the picture of the source. You can then press the main button on the transmitter to pause or restart mirroring content from your device.

#### Note for Transmitter

- ※ Please ensure the Type-C port of your source device supports USB Type-C DP Alt Mode for video and audio output.
- ※ If you need to charge your USB-C source device through the transmitter, you can connect the transmitter's USB-C power jack to an external power adaptor (not included; it is recommended to use your device's original adaptor).