

Long Range Performance.

Ultimate Series: Fixed Focal HDCVI IR Bullets in 2.0MP & 5.0MP

Experience unparalleled performance with the Ultimate Series from Securview, with image performance up to 5.0MP/Ultra HD, fixed - focal lens , true WDR and audio.

- Stream up to 5.0MP (2880 × 1620) at 25fps
- Smart infrared illumination, up to 30m range
- Large 1/2.7" sensor for excellent low light performance
- Up to 700m 5MP video transmission over coaxial
- Black and white image in low light at 0.001lx
- 2MP CMOS sensor for excellent low light performance
- True WDR (120dB) and 2D/3D noise reduction
- IP67, metal weather rated camera housing



5MP Recording Over Coax

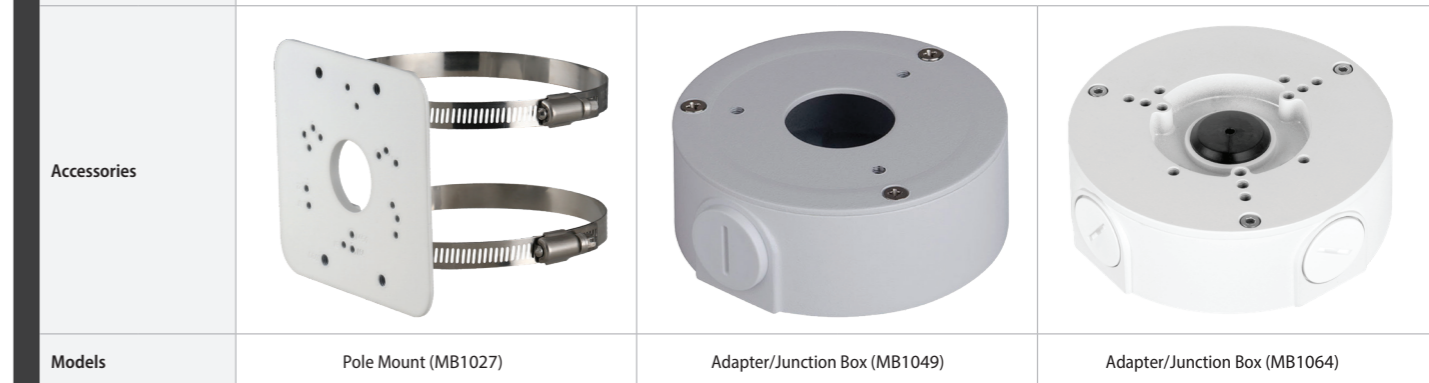
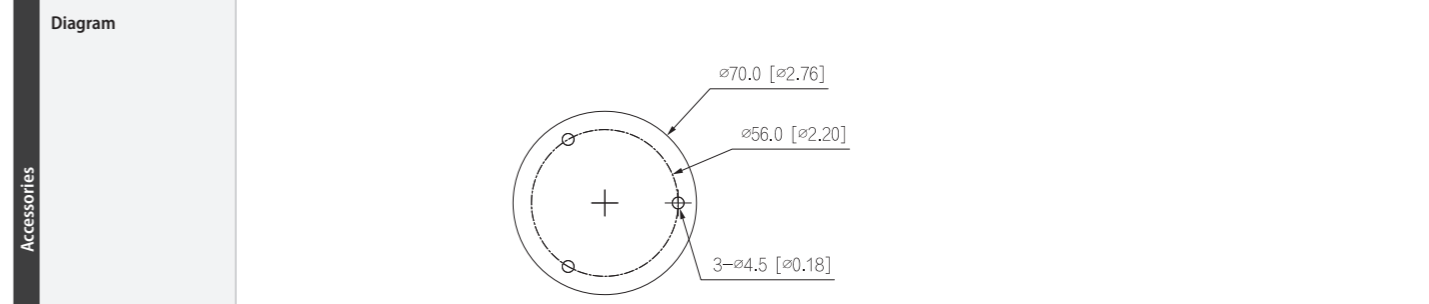
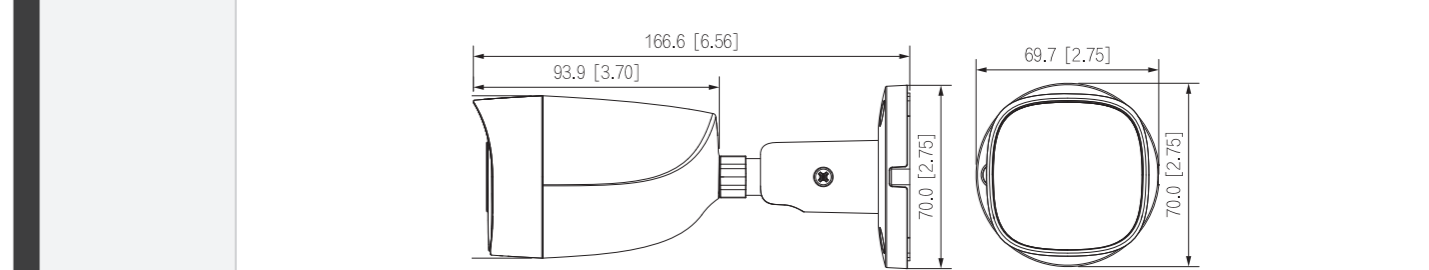


Cross Compatibility



Remarkable Low Light Performance

Model	CAM661	CAM668
Image Sensor	1/2.7" 5.0 Megapixel CMOS	2 Megapixel CMOS
Effective Pixels	2880 (H) × 1620 (V)	1920 (H) × 1080 (V)
Signal Noise Ratio	> 65dB	
Lens	2.8mm F1.6 Fixed Lens	
Angle of View	111° (H)	109° (H)
Focus	Fixed / 0.9m Min. Focus Distance	Fixed / 0.7m Min. Focus Distance
Minimum Illumination	0.001 Lux at F1.6 (Colour) / 0 Lux IR Active	
Electronic Shutter	1/3 s ~ 1/100,000s	1/25 s ~ 1/100,000s
Day/Night	Auto (ICR) / Colour / B&W	
Infrared Range	30m	
White Balance	Auto / Manual	
Noise Reduction	2D NR / 3D NR	
Gain Control	Auto / Manual	
Lighting Compensation	BLC / HLC / WDR (120dB)	BLC / HLC / WDR (130dB)
Resolution	5.0MP (2880 x 1620) to 960H (960 x 480)	
Frame Rate	25fps (5.0MP and lower)	
Transmission Distance	Rated for up to 700m via coaxial cable (performed in ideal test conditions)	
DORI	Detect	63.6m
	Observe	24.4m
	Recognise	12.7m
	Identify	6.4m
Audio Input	1 Channel built-in microphone	
Alarm Interface	N/A	
Video Output	1 x CVI / TVI / AHD / CVBS / Composite Video Output (DIP switch)	
OSD Menu	Support	
Ingress Protection	IP67	
Vandal Resistant	N/A	
Housing	Metal	
Power Input	12VDC	12 VDC
Power Consumption	< 4.7W	<3.0W
Dimensions	166.6mm x 69.7mm x 70.0mm	161.3 x 69.7mm x 70.0mm
Weight	0.35kg	0.33kg
Operating Environment	-40° to +60°C / RH95% (max)	



Models Pole Mount (MB1027) Adapter/Junction Box (MB1049) Adapter/Junction Box (MB1064)