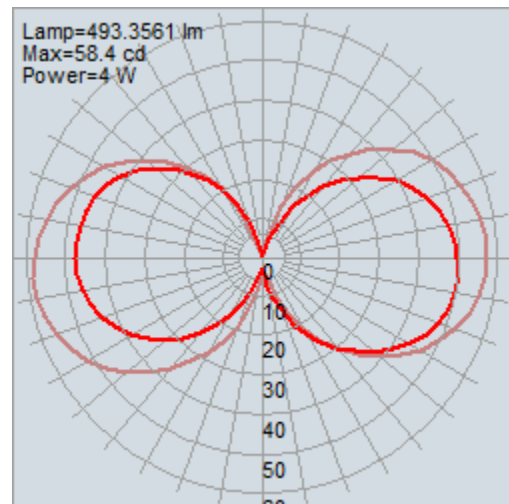
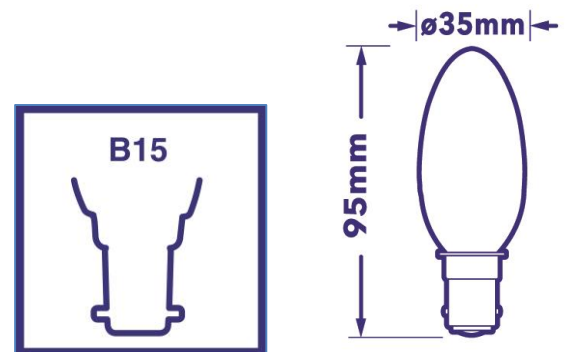


- Filament type LED, resembles incandescent lamp
- Triac dimmable
- 470lm
- Lifetime of 15,000 hrs
- 2700K CCT warm-white
- 330° beam angle
- Replacement for 40 W high voltage incandescent (according to ErP standard)
- 89% energy saving



Order Code	65609
General Data	
Lamp Socket	B15d
Design	Clear Dome Candle
Geometric Data	
Length (mm)	95mm
Diameter (mm)	35mm
Weight (g)	15g
Electric Data	
Wattage	4.5W
Voltage	220-240 V AC
Power Factor	≥0.85
Operating Frequency	50/60 Hz
Photometric Data	
Total Luminous Flux (lm)	470lm
90° cone Luminous Flux (lm)	N/A
CRI	≥80
CCT	2700 K – Warm White
Luminous Intensity (cd)	50
Beam Angle (°)	330°
Lifetime	15,000 hrs
Equivalent to (W)	40W





Order Code 65609

Product Description Filament LED clear dome candle B15d 4.5W 2700K 470lm dimmable

Technical Packaging Details

Giftbox Barcode	6943760256093
Inner Carton Barcode	16943760256090
Outer Carton Barcode	26943760256097
Pack Dimensions (HxWxL)	39 mm x 39 mm x 110 mm
Pack Weight	45g
Carton Qty (Shipping Unit)	12
Carton Dimensions (HxWxL)	165 mm x 125 mm x 120 mm
Cartons/Layer	53
Layers/Pallet	7
Units/Pallet	4452