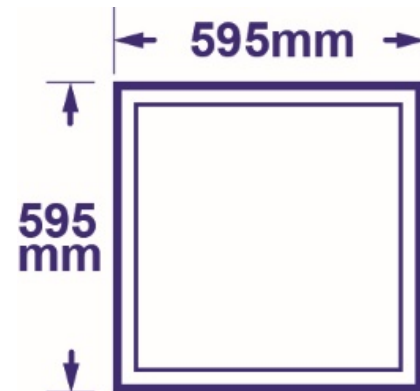
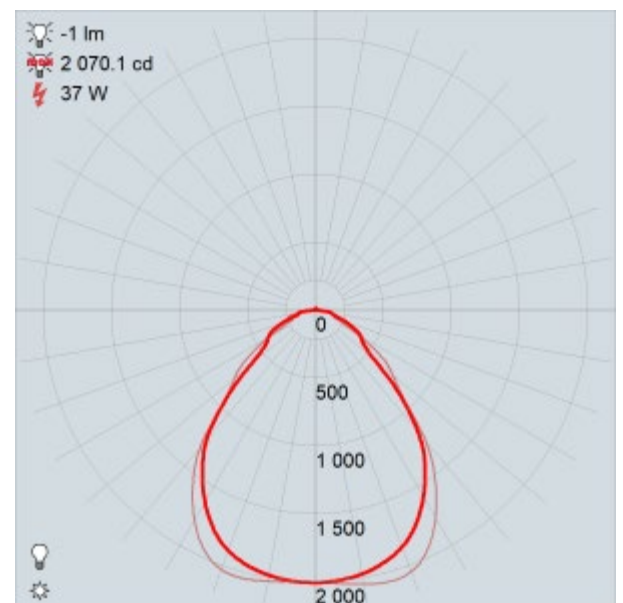


- Anti-glare, UGR<19
- PMMA Light Guide Plate employed, stay clear after years' of installation
- Ultra-slim, only 9mm thick
- High efficacy, 110 lm/W
- 4000lm output
- Lifetime of 50,000 hrs
- 5000K CCT Daylight
- 90° beam angle
- 0-10V dimmable driver options available
- Surface mount and suspended installation accessories available
- 5 Year Warranty



Order Code	66216
General Data	
Lamp Socket	NA
Design	PMMA Light Guide Plate
Geometric Data	
Length (mm)	595x595x9 mm
Cut-hole (mm)	580x580mm
Weight (g)	2250g
Electric Data	
Wattage	36W
Input Current	960mA
Voltage	32-37 V DC
Power Factor	≥0.9
Operating Frequency	DC
Photometric Data	
Total Luminous Flux (lm)	4000lm
90° cone Luminous Flux (lm)	N/A
CRI	≥80
CCT	5000 K – Daylight
Luminous Intensity (cd)	2000
Beam Angle (°)	90°
Lifetime	50,000 hrs





Order Code	66216
Product Description	Verbatim LED slim panel 595x595x9 mm 36W 5000K Daylight 4000lm DC 32-37V 960mA UGR19

Technical Packaging Details

Giftbox Barcode	6943760262162
Inner Carton Barcode	N.A.
Outer Carton Barcode	26943760262166
Pack Dimensions (LxWxH)	648 mm x 642 mm x 36 mm
Pack Weight	TBC
Carton Qty (Shipping Unit)	6
Carton Dimensions (LxWxH)	663 mm x 240 mm x 663 mm
Cartons/Layer	6
Layers/Pallet	2
Units/Pallet	48

Drivers to be ordered separately:

LED driver 36W 960mA 32-47V non-dimmable

- 66219(open wire) / 66220(with power plug)

LED driver 36W 960mA 32-37V 0-10V dimmable

- 66221(open wire) / 66222(with power plug)

Accessories:

Suspended installation kit

(66012)

Surface mount bracket 595x595mm

(66011)



(155x63x33 mm)