

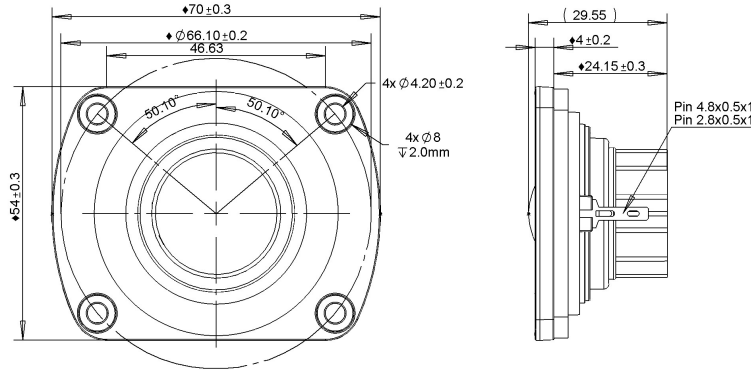
Tweeter

This BC family tweeter features a 4 ohm 25 mm voice coil, a damped fabric dome for smooth frequency response performance, and ferrofluid in the gap of the neodymium magnet motor, providing enhanced cooling of the voice coil. The tweeter comes with a compact faceplate with recessed mounting holes, complete with sealing gasket which helps in reducing vibration between baffle and driver. A finned heat sink has been added for improved power handling.



BC25SC55-04

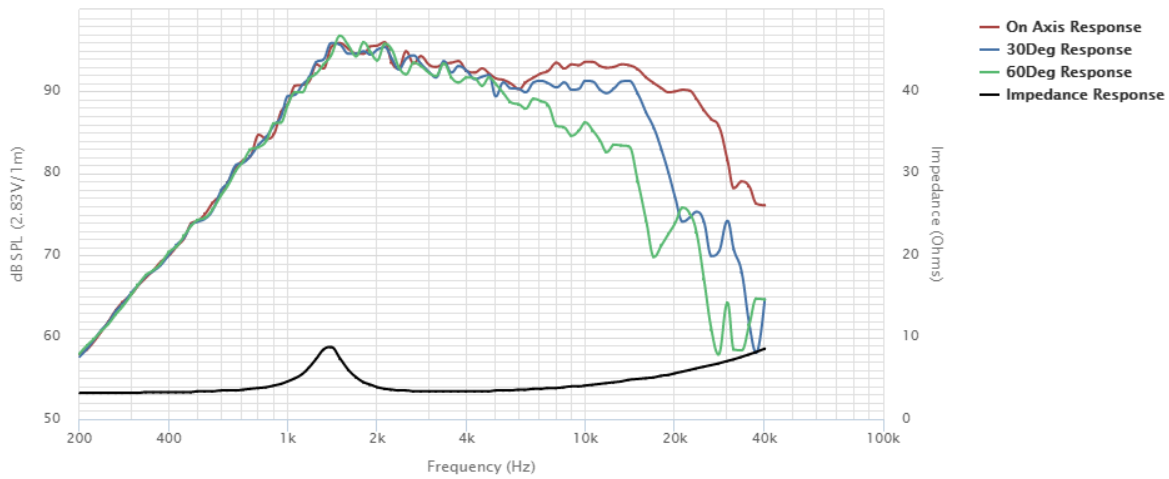
MECHANICAL 2D DRAWING



SPECIFICATIONS

DC Resistance	Revc	Ω	2.74	±5.0%	Moving Mass	Mms	g	0.4
Minimum Impedance	Zmin	Ω	3.36	±7.5%	Suspension Compliance	Cms	um/N	35.8
Voice Coil Inductance	Le	mH	0.02	-	Effective Cone Diameter	D	cm	3
Resonant Frequency	fs	Hz	1401.51	15%	Effective Piston Area	Sd	cm ²	7.1
Mechanical Q Factor	Qms	-	3.82	-	Equivalent Volume	Vas	L	0
Electrical Q Factor	Qes	-	1.83	-	Motor Force Factor	BL	T•m	2.18
Total Q Factor	Qts	-	1.24	-	Motor Efficiency Factor	β	(T•m ²)/Ω	1.7
Ratio	fs/Qts	-	1134.82	-	Voice Coil Former Material	VCfm	-	ASV
Half Space Sensitivity	dB@2.83V/1m	dB	93.34	±1.01	Voice Coil Inner Diameter	VCd	mm	25.4
Sensitivity	1W/1m	dB	89.6	±1.01	Gap Height	Gh	mm	2
Rated Noise Power (IEC 268-5 18.1)	P	W	100	-	Maximum Linear Excursion	Xmax	mm	0
Test Spectrum Bandwidth		12 dB/Oct	1.4kHz - 20kHz	-	Ferrofluid Type	FF	-	APG027
Energy Bandwidth Product	EBP	(1/Qes)•fs	767.12	-	Transducer Size	-	-	25 mm
				-	Transducer Mass	-	Kg	0.08

FREQUENCY & IMPEDANCE RESPONSE



Highcharts.com