

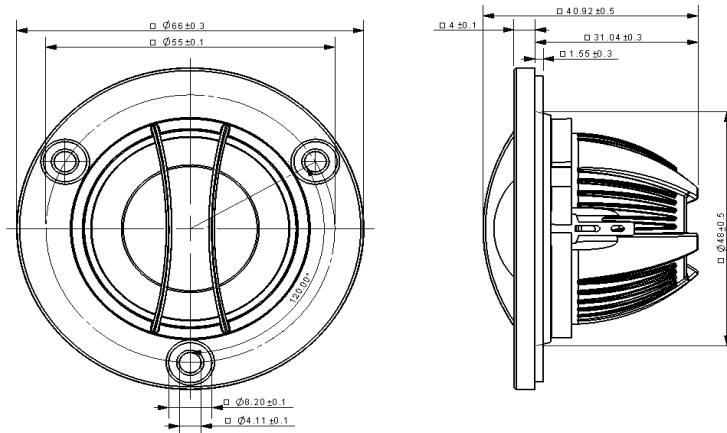
Model Number: NE25VTT-04
 Description: Vifa RM 25mm Tweeter "Titanium"

Revision: rev 3_0
 Date: 1-Sep-09



The Vifa NE product line has leading-edge transducer technology packaged in a cutting edge, stylistic design. The tweeters in this product line finite element analysis designed Neodymium-Iron-Boron magnet (NdFeB) motors, with copper caps for extended frequency response and reduced distortion. The aluminium rear chambers offer extended low frequency performance, while doubling as heat sinking. The butterfly supporting the tweeter diaphragm is made of a high temperature plastic, consistent with the product's high temperature performance rating, and features supporting terminals. The dome material in this design is titanium, and the design has been optimized for sound quality and clarity. Rounding out the design is an aluminium face plate and plastic grille, which offers protection for the tweeter diaphragm.

Mechanical 2D Drawing:



Specifications:

DC Resistance	R_{evc}	Ω	3.2	Energy Bandwidth Product	EBP	$(1/Q_{\text{es}})f_s$	655
Minimum Impedance	Z_{min}	Ω	3.59	Moving Mass	M_{ms}	g	0.35
Voice Coil Inductance	L_e	mH	0.04	Suspension Compliance	C_{ms}	$\mu\text{m/N}$	133.7
Resonant Frequency	f_s	Hz	733	Effective Cone Diameter	D	cm	3.2
Mechanical Q Factor	Q_{ms}	-	5.0	Effective Piston Area	S_D	cm^2	8.0
Electrical Q Factor	Q_{es}	-	1.12	Equivalent Volume	V_{as}	L	0.01
Total Q Factor	Q_{ts}	-	0.92	Motor Force Factor	BL	T·m	2.14
Ratio f_s / Q_{es}	F	f_s / Q_{es}	801	Motor Efficiency Factor	β	$(\text{T}\cdot\text{m}^2)/\Omega$	1.45
Half Space Sensitivity @ 2.83V	$\text{dB}@2.83\text{V}/1\text{m}$	dB	91.5	Voice Coil Former Material	VC_{fm}	-	Alu
Rated Noise Power (IEC 2685 18.1)	P	W	80	Voice Coil Inner Diameter	VC_d	mm	25.8
Test Spectrum Bandwidth	2khz - 20khz	12 dB/Oct		Maximum Linear Excursion	X_{max}	mm	0.10
				Transducer Mass	-	kg	0.1

Frequency and Impedance Response:

