

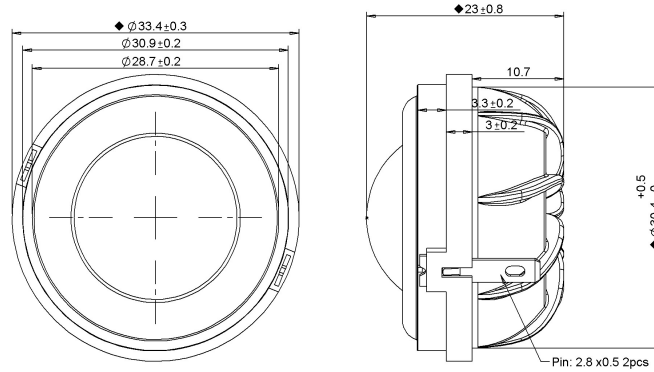
Tweeter

This OX family tweeter features a 19 mm diameter 4 ohm voice coil, a damped silk diaphragm with large surround roll, a neodymium magnet motor to produce a compact motor, and a metal rear chamber to provide both a lower resonant frequency and added heat sinking for power handling capacity. The product is designed to fit snugly into small applications, while providing excellent dynamic sound quality.



OX20SC00-04

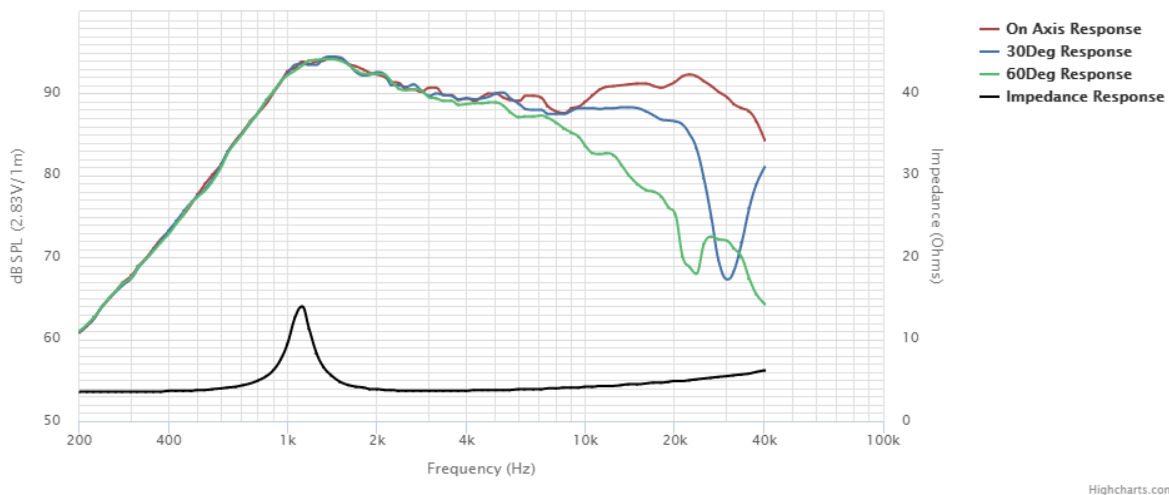
MECHANICAL 2D DRAWING



SPECIFICATIONS

DC Resistance	Revc	Ω	3.23	$\pm 5.0\%$	Moving Mass	Mms	g	0.2
Minimum Impedance	Zmin	Ω	3.69	$\pm 7.5\%$	Suspension Compliance	Cms	um/N	99.3
Voice Coil Inductance	Le	mH	0.01	-	Effective Cone Diameter	D	cm	2.5
Resonant Frequency	fs	Hz	1112.23	15%	Effective Piston Area	Sd	cm ²	4.9
Mechanical Q Factor	Qms	-	7.16	-	Equivalent Volume	Vas	L	0
Electrical Q Factor	Qes	-	1.76	-	Motor Force Factor	BL	T•m	1.62
Total Q Factor	Qts	-	1.41	-	Motor Efficiency Factor	β	(T•m ²)/ Ω	0.8
Ratio	fs/Qts	-	786.59	-	Voice Coil Former Material	VCfm	-	ASV
Half Space Sensitivity	dB@2.83V/1m	dB	90.39	± 1.01	Voice Coil Inner Diameter	VCd	mm	19.32
Sensitivity	1W/1m	dB	87	± 1.01	Gap Height	Gh	mm	2
Rated Noise Power (IEC 268-5 18.1)	P	W	80	-	Maximum Linear Excursion	Xmax	mm	0.1
Test Spectrum Bandwidth		12 dB/Oct	2.5kHz - 20kHz	-	Ferrofluid Type	FF	-	
Energy Bandwidth Product	EBP	(1/Qes)•fs		-	Transducer Size	-	-	19 mm
				-	Transducer Mass	-	Kg	0.04

FREQUENCY & IMPEDANCE RESPONSE



Highcharts.com