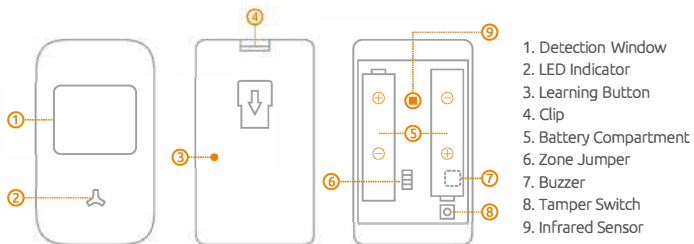


Features

The passive infrared sensor with novel and beautiful style, perfect streamline can be easily installed. It is designed to detect human movement indoor. Adopted advanced fuzzy logic chip and intelligent analysis distinguish signal between body movement and interference to minimize false alarms. The built-in buzzer remind you low battery state and event of tamper alarm, which ensure your safety.



Infrared Sensor: Detects the infrared rays released by human body motion. Please do not touch the surface and keep it clean.

Tamper Switch: Once the case is opened, the tamper switch will be triggered, generating an alarm signal.

Status Indicator



LED Flashed Once:
Movement is detected.



LED flashes 5 times, and buzzer beeps 5 times:
Power on, Tamper alarm, low battery indication.
If it's in low battery state, please replace it immediately.

PIR Motion Detector User Manual

Specifications:

Power Supply: DC 3V (AA 1.5V LR6 Battery x 2pcs)

Standby Current: $\leq 20\mu\text{A}$

Transmit Current: $\leq 30\text{mA}$

Detection Area: 7-8m/110°

Wireless Transmit Distance: $\leq 80\text{m}$ (in open area without interference)

Wireless RF Frequency: FHSS 433MHz

Temperature: -10°C - 55°C

Humidity: $\leq 80\%$ (Non-condensing)

Detector Dimensions (LxWxH): 90*52*36.5mm

Bracket Dimensions (LxWxH): 48*26*29mm

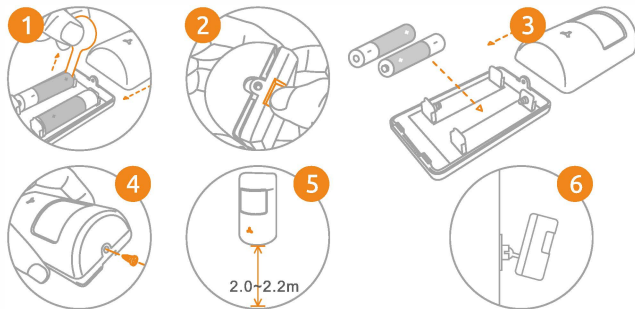
Installation & Walk Test

TEST MODE: After switching on (inserting the batteries), the motion detector beeps and flashes five times. This shows that the detector is only in test mode and will remain in that mode, until it has recognized a movement 20 times. In test mode, every movement triggers an alarm.

NORMAL OPERATION: Once the test mode has ended, the motion detector switches to normal operation and, after the first recognized movement, into sleep mode to save energy. The sleep mode ends after four minutes. This helps save considerable amounts of energy when the house or apartment is inhabited and people are constantly moving around. In case of an alarm, however, the first movement is enough to trigger an alarm.

Installation:

1. Pull out the battery tab, and open the back cover by pressing down on the clip at the top. Check that the battery is fitted properly.
2. Place the cover back on close tightly. Secure with provided security screw.
3. Use the provided screws to fix the bracket on the wall, then attach the sensor to the bracket.
4. Ensure it is fitted around 2~2.2 meters from the ground, then adjust the angle of the sensor to the best suited position.



Walk Test:

1. When the power is on, the LED indicator flashes five times and buzzer beeps five times to enter working state.
2. Walk across detection area and watch the LED indicator to make sure it flashes once when detecting the movement.

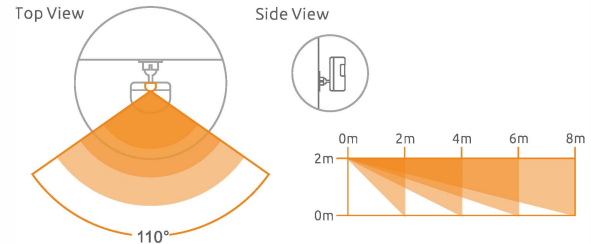


Notice

1. Avoid mounting the detector close to places where heat changes fast or air stream flows frequently. (ie. Air conditioner, tube light, oven, waver, refrigerator etc.)
2. Avoid it facing to window which can be easily interfered by complicated environment. (ie. sunlight, crowds, or flowing cars etc.)
3. The product can reduce the possibility of accident, but the user is advised to take all necessary precautions for the safety and the protection of the property.



Detection Area



Connecting P.I.R. Motion Detector to Control Panel

The new-bought P.I.R. motion detector should be enrolled to the control panel before use. Press enroll button of control panel, trigger the sensor by pressing the testing button once. The enrolled sensors will automatically appear in the Accessories Menu in the app. You can customize the accessory name, select the zone type and also delete the accessory from the app, if required.

