

Photoelectric Smoke Detector with integral Temp-3 Sounder

Model: SMODET4

The SMODET4 is designed to provide early warning of developing fires for occupants of residential and commercial buildings. The SMODET4 is a photoelectric smoke alarm that is designed for open area protection.

Its compact design makes it attractive to look at and easy to install. The SMODET4 photoelectric smoke-alarms are designed to respond to a broad range of fires while providing maximum stability.

The low-voltage wiring make them ideal for applications such as apartment buildings and nursing homes. Designed for use as open area protection up to 24 units may be interconnected.

These multi-voltage, 4 wire smoke alarms can be connected to many third-party devices such as security alarm systems and access control systems. The SMODET4 is supplied complete with mounting ring and 9VDC back-up battery.



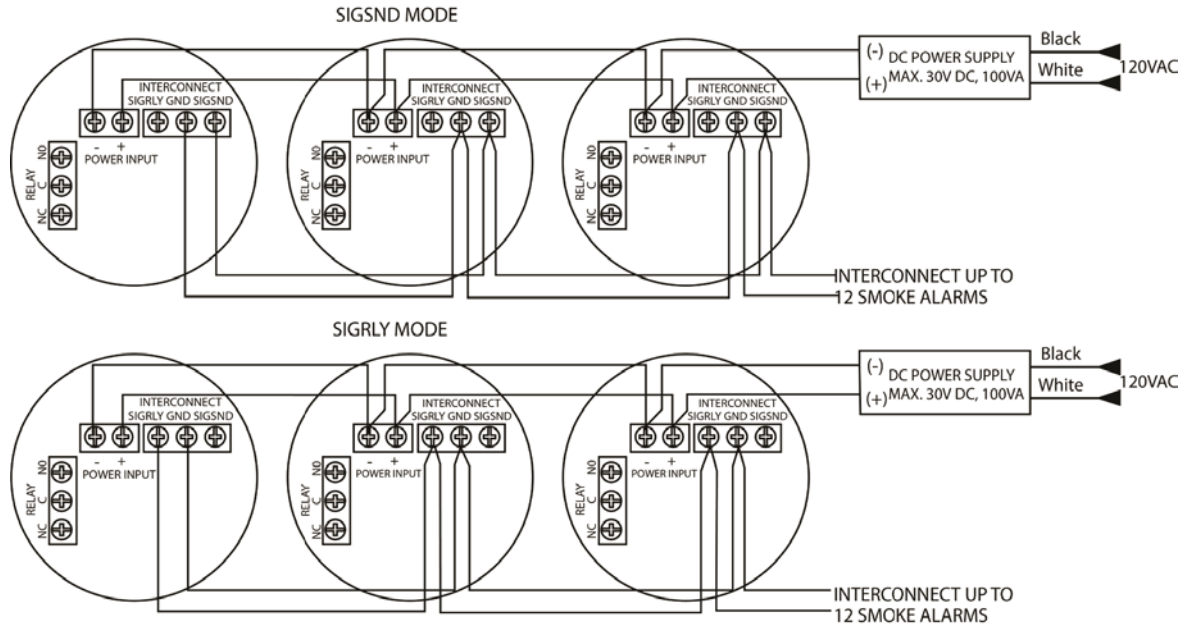
Features

- Low profile design in ceiling white housing
- CSIRO certified and listed to AS3786:2014
- 85dB(A) at 3 meters
- 9-24 volt DC operation
- On-board 9 volt back-up battery
- NO/NC change-over alarm relay contacts
- 8 second alarm verification feature Audible emergency evacuation signal (ISO 8201)
- Green and Red Bi-color LED Indication
- Custom dual-mode alarm relay, interconnect feature
- Automatic diagnostic test feature
- Custom 'easy-clean' chamber
- 'HUSH' / Test Push Button feature
- Interconnect up to 24 smoke alarms
- Temporal Horn Pattern
- Visual and Audible indication of low battery and other fault conditions

Specifications

Electrical Specifications	
Supply Voltage Range	10 VDC to 30 VDC
Max. Standby Current	60 μ A maximum average
Max. Alarm Current	65 mA maximum average @10~30VDC
P-Horn Sound Output Level	85 dBA @ 3m
Relay Contact Rating	1 Form C, 1A @ 30 V(DC or AC)
Back-Up Battery	9 VDC carbon zinc battery
Mechanical Specifications	
Size	55mm (H) \times 135mm (diameter)
Weight	220g
Environmental Specifications	
Operating Temperature	0°C to 50°C
Relative Humidity	5% to 93% R.H.

Wiring Diagram



Maximum power bus length in meter, given number of units (maximum per bus) and wire size(mm).
Supply Voltage = 12VDC

Wire Size	1 Unit	2 Unit	3 Unit	4 Unit	5 Unit	6 Unit	7 Unit	8 Unit	9 Unit	10 Unit	11 Unit	12 Unit
1.5mm	3302	1652	1101	826	660	551	471	413	366	331	301	275
1mm	1633	817	544	408	327	273	233	205	182	163	149	135
0.75mm	819	411	273	205	163	138	117	103	91	82	75	68

Wire Size	13 Unit	14 Unit	15 Unit	16 Unit	17 Unit	18 Unit	19 Unit	20 Unit	21 Unit	22 Unit	23 Unit	24 Unit
1.5mm	254	236	220	206	194	183	174	165	157	150	144	138
1mm	126	117	109	102	96	91	86	82	78	74	71	68
0.75mm	63	59	55	51	48	46	43	41	39	37	36	34

For 24VDC supply voltage, the maximum power bus length is 4 times as long as 12VDC supply voltage. Maximum interconnect bus length: 2000 meters, 0.75mm or larger cable. All wiring must conform to electrical codes.

Product Line Information

Agency Listings & Approvals: These listings and approvals apply to the modules specified in this document. In some cases, certain modules or applications may not be listed by certain approval agencies, or listings may be in process. Consult system consultant for listing status.

CSIRO Activfire listed to AS3786:2014 (27 August 2015)

Your Watchguard surveillance professional: