

AH WALL MOUNT CABINET

ROC4U, ROC6U, ROC9U, ROC12U, ROC15U, ROC18U



Product Features:

- 1.Elegant design , exquisite technics, precise size, in the fashion, addvalue to your project
- 2.Static loading 60kg
- 3.Convenient wall installation design
- 4.Cable entry on the top and bottom can be closed
- 5.Conveniently detachable side doors, front and back door, to operate all-round, observe multidirectional
- 6.Side door lock optional
- 7.Top fan optional
- 8.The door can be open from either side(NO Tools Are Required)

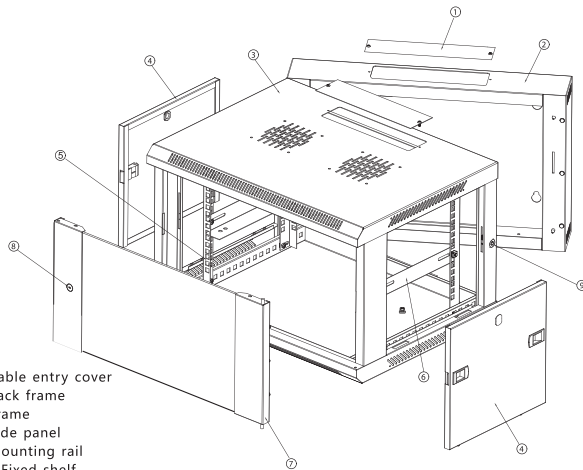
Surface Treatment:

Degreasing, Pickling, Phosphorescence Ablution, Powder Coating



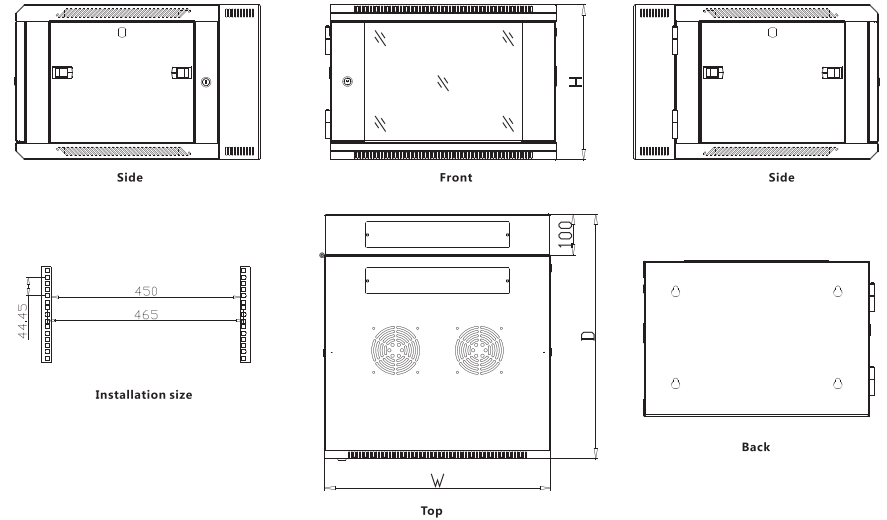
Product Description

AH model is a welding wall mounted cabinet. With the elegant design, it is widely used in computer network system, university education equipment, broadcasting system and communication system etc. It suits to put sophisticated computer and electronic equipment.



1. Cable entry cover
2. Back frame
3. Frame
4. Side panel
5. Mounting rail
6. L Fixed shelf
7. Front door
8. Lock

Main Dimension



Standard product configuration

NO	Name	Quantity	Unit	Material	Surface Treatment	Remarks
1	Frame	1	Piece	1.2mm cold rolled quality steel sheet	Powder coating	---
2	Front door	1	Piece	5mm Tempered white glass/1.2mm cold rolled quality steel sheet	Powder coating	---
3	Side door	2	Piece	1.0mm cold rolled quality steel sheet	Powder coating	---
4	Back frame	1	Piece	1.5mm cold rolled quality steel sheet	Powder coating	---
5	L Tape Frame	2	Piece	1.2mm cold rolled quality steel sheet	Powder coating	---
6	Column	4	Piece	1.5mm cold rolled quality steel sheet	Powder coating	---
7	Screw nut buckled	20	Set	---	---	---

Specification

Item number	Capability	W (mm)	D (mm)	H (mm)	Packing size			Volume (m ³)
					W (mm)	D (mm)	H (mm)	
Ah6606	6U	600	600	370	615	615	385	0.146
AH6609	9U	600	600	500	615	615	515	0.195
AH6612	12U	600	600	635	615	615	650	0.245
AH6615	15U	600	600	770	615	615	785	0.297
AH6506	6U	600	550	370	615	565	385	0.134
AH6509	9U	600	550	500	615	565	515	0.179
AH6512	12U	600	550	635	615	565	650	0.226
AH6515	15U	600	550	770	615	565	785	0.273

Colour
 Black(RAL9005)=B
 Gray(RAL7035)=G