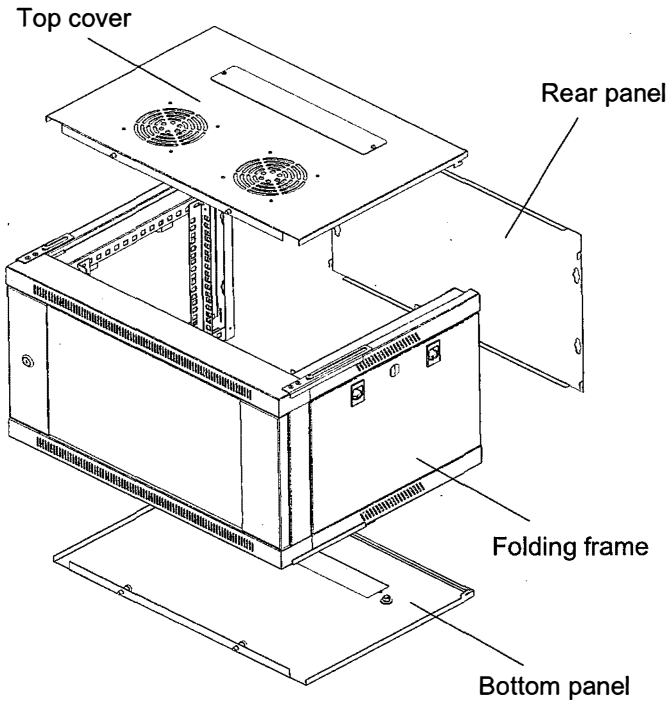


Assembly Manual

Tool-free Installation Quick Assembly Wall Cabinet-TFC Series



Packaging List

1. Top cover - 1pc
2. Bottom panel - 1pc
3. Rear panel - 1pc
4. Folding frame (includes front door and side panel) - 1pc
5. Accessories - 1 set

Accessories List

1. Keys - 2pcs
2. M6 Expansion Bolt - 4pcs
3. Manual - 1pc
4. User Hardwares Kits - 1 set

User Hardwares Kits:

U Capacity $\leq 12U$, 12 sets cagenuts;

U Capacity $> 12U$, 24 sets cagenus.

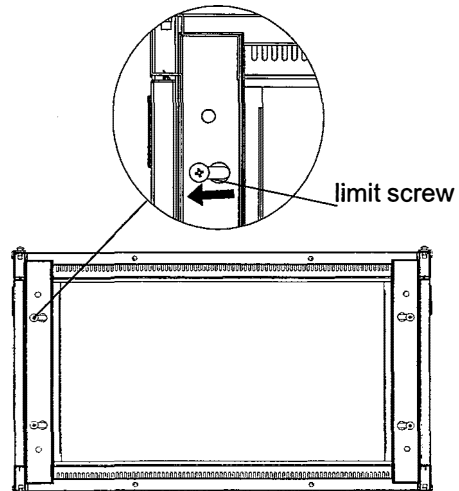
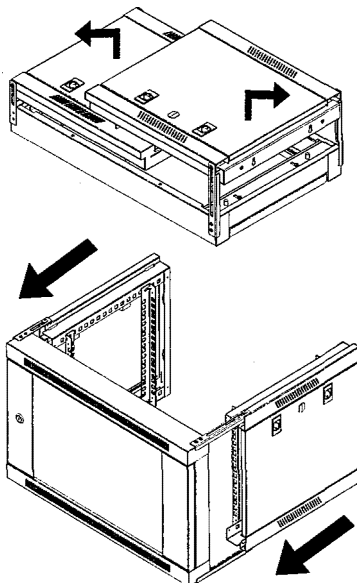
(cagenut : M6*12 screw & M6 cage nut)

Tips: Check the quantities of the items before assembly.

Installation

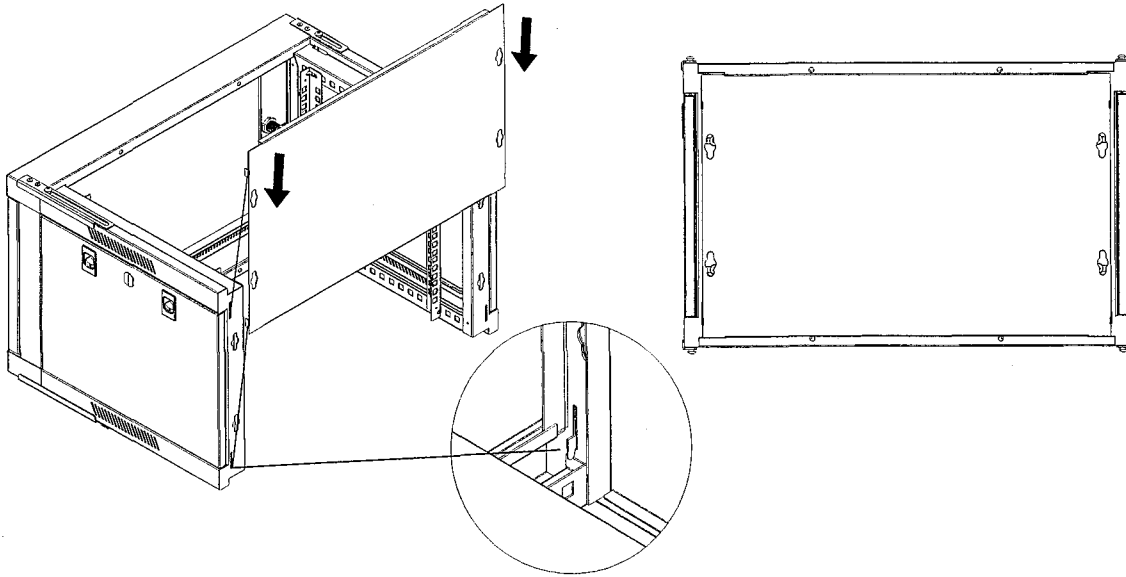
STEP 1:

Unfold the folded side frame and insert it vertically into the front frame. Move the limit screws on the front frame to secure the front and side frames.



STEP 2:

Insert the rear panel into the side frame and move down to secure it.



STEP 3:

Insert the top cover into the side frame and retract the spring screws to secure it to the front frame. The bottom panel is also operated.

