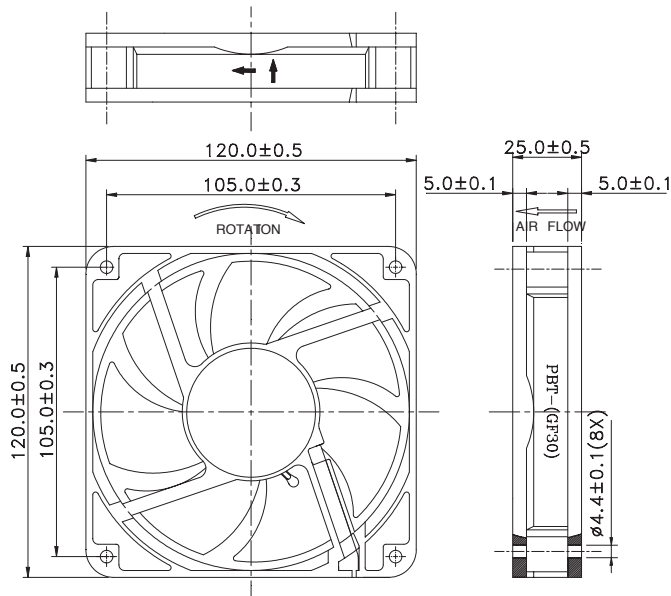
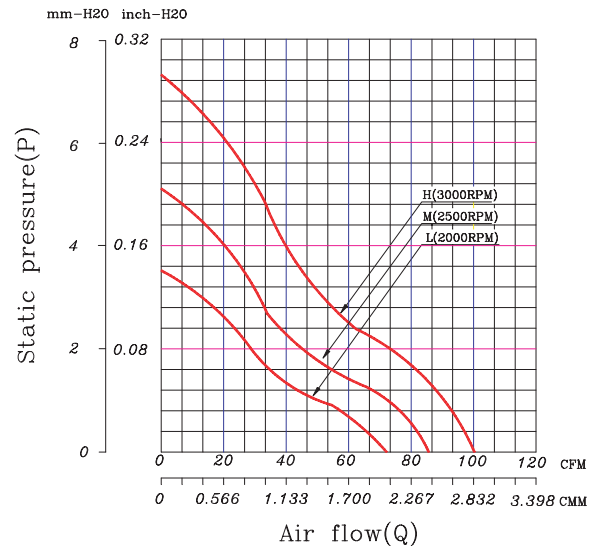


### Dimensions



### Performance Curves



Air exhaust over struts. Rotational direction CCW looking at rotor.

Brushless DC Motor	Bearing Type
Weight: 200g Impedance protected Lead wire UL 1007 AWG 24	Ceramic

\* All fans are with electronic protection against reverse polarity. The fan only operates when the polarity is correct.

Function Options	
<input checked="" type="radio"/> Frequency Generator	<input checked="" type="radio"/> Auto Restart

- \* Please contact us for PWM function availability.
- \* Please contact us for IP55 availability.
- \* Safety Approval: CE, UL, TUV

### Specifications

Model	Rated Voltage (VDC)	Rated Current (Amp)	Input Power (Watts)	Nominal Speed (RPM)	Airflow (CFM)	Static Pressure (inch -H2O)	Noise Level (dBA)
FAN12025C12H	12	0.42	5.04	3000	106.37	0.29	51.00
FAN12025C12M	12	0.27	3.24	2500	87.02	0.20	46.00
FAN12025C12L	12	0.16	1.92	2000	70.14	0.13	39.00
FAN12025C24H	24	0.23	5.52	3000	106.37	0.29	51.00
FAN12025C24M	24	0.15	3.60	2500	87.02	0.20	46.00
FAN12025C24L	24	0.12	2.88	2000	70.14	0.13	39.00
FAN12025C48H	48	0.16	7.68	3000	106.37	0.29	51.00
FAN12025C48M	48	0.13	6.24	2500	87.02	0.20	46.00
FAN12025C48L	48	0.10	4.80	2000	70.14	0.13	39.00

- \* Specifications are subject to change without prior notice.
- \* Check with your distributor for models available.