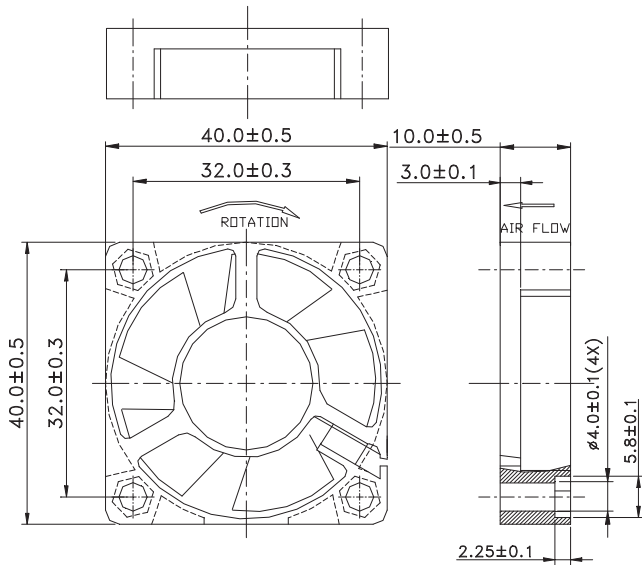
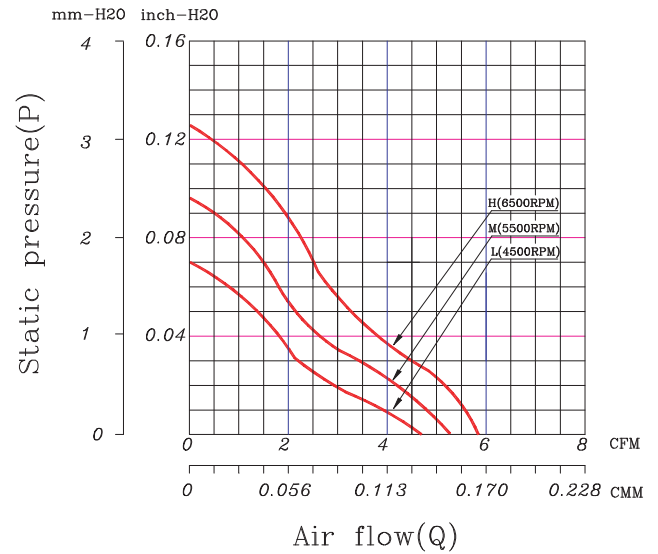


Dimensions



Performance Curves



Air exhaust over struts. Rotational direction CCW looking at rotor.

Brushless DC Motor	Bearing Type
Weight: 15g Impedance protected Lead wire UL 1007 AWG 28	Ceramic

* All fans are with electronic protection against reverse polarity. The fan only operates when the polarity is correct.

Function Options	
<input checked="" type="radio"/> Frequency Generator	<input checked="" type="radio"/> Auto Restart
	<input checked="" type="radio"/> Rotation Detection

* Please contact us for PWM function availability.

* Please contact us for IP55 availability.

* Safety Approval: CE, UL, TUV

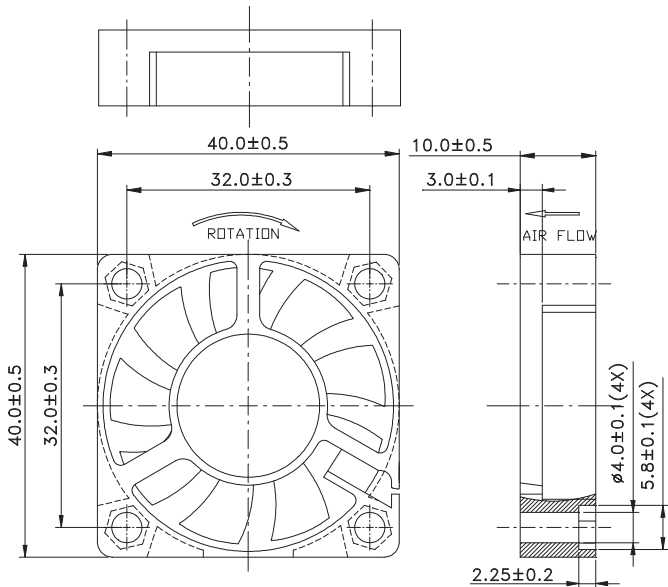
Specifications

Model	Rated Voltage (VDC)	Rated Current (Amp)	Input Power (Watts)	Nominal Speed (RPM)	Airflow (CFM)	Static Pressure (inch -H2O)	Noise Level (dBA)
FAN4010C5H-I	5	0.18	0.90	6500	5.80	0.12	28.50
FAN4010C5M-I	5	0.14	0.70	5500	5.20	0.09	24.50
FAN4010C5L-I	5	0.12	0.60	4500	4.60	0.07	23.00
FAN4010C12H-I	12	0.09	1.08	6500	5.80	0.12	28.50
FAN4010C12M-I	12	0.07	0.84	5500	5.20	0.09	24.50
FAN4010C12L-I	12	0.06	0.72	4500	4.60	0.07	23.00

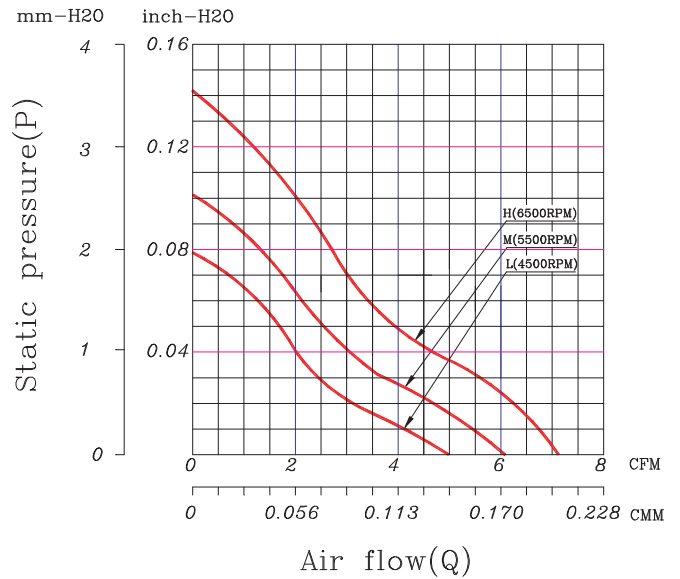
* Specifications are subject to change without prior notice.

* Check with your distributor for models available.

Dimensions



Performance Curves



Air exhaust over struts. Rotational direction CCW looking at rotor.

Brushless DC Motor	Bearing Type
Weight: 15g Impedance protected Lead wire UL 1007 AWG 28	Ceramic

* All fans are with electronic protection against reverse polarity. The fan only operates when the polarity is correct.

Function Options	
<input checked="" type="radio"/> Frequency Generator	<input checked="" type="radio"/> Auto Restart
	<input checked="" type="radio"/> Rotation Detection

- * Please contact us for PWM function availability.
- * Please contact us for IP55 availability.
- * Safety Approval: CE, UL, TUV

Specifications

Model	Rated Voltage (VDC)	Rated Current (Amp)	Input Power (Watts)	Nominal Speed (RPM)	Airflow (CFM)	Static Pressure (inch -H2O)	Noise Level (dBA)
FAN4010C5H-II	5	0.24	1.20	6500	7.20	0.14	33.00
FAN4010C5M-II	5	0.18	0.90	5500	6.11	0.10	27.50
FAN4010C5L-II	5	0.16	0.80	4500	4.98	0.07	23.50
FAN4010C12H-II	12	0.12	1.44	6500	7.20	0.14	33.00
FAN4010C12M-II	12	0.09	1.08	5500	6.11	0.10	27.50
FAN4010C12L-II	12	0.08	0.96	4500	4.98	0.07	23.50

* Specifications are subject to change without prior notice.

* Check with your distributor for models available.