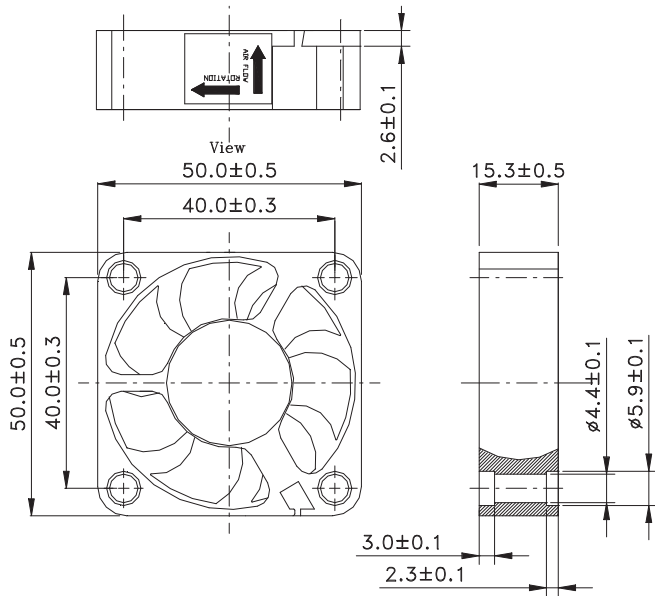


Dimensions

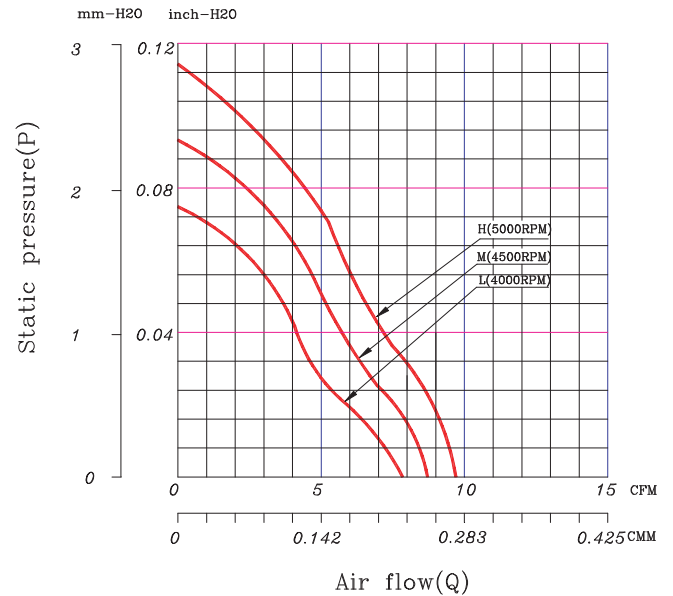


Air exhaust over struts. Rotational direction CCW looking at rotor.

Brushless DC Motor	Bearing Type
Weight: 30g Impedance protected Lead wire UL 1007 AWG 26	Ceramic

* All fans are with electronic protection against reverse polarity. The fan only operates when the polarity is correct.

Performance Curves



Function Options	
<input type="checkbox"/> Frequency Generator	<input type="checkbox"/> Auto Restart
<input type="checkbox"/> Temperature Control	<input type="checkbox"/> Rotation Detection

* Please contact us for PWM function availability.

* Please contact us for IP55 availability.

* Safety Approval: CE, UL, TUV

Specifications

Model	Rated Voltage (VDC)	Rated Current (Amp)	Input Power (Watts)	Nominal Speed (RPM)	Airflow (CFM)	Static Pressure (inch -H2O)	Noise Level (dBA)
FAN5015C12H	12	0.15	1.80	5000	9.78	0.11	31.50
FAN5015C12M	12	0.11	1.32	4500	8.80	0.09	28.50
FAN5015C12L	12	0.10	1.20	4000	7.93	0.07	25.00

* Specifications are subject to change without prior notice.

* Check with your distributor for models available.