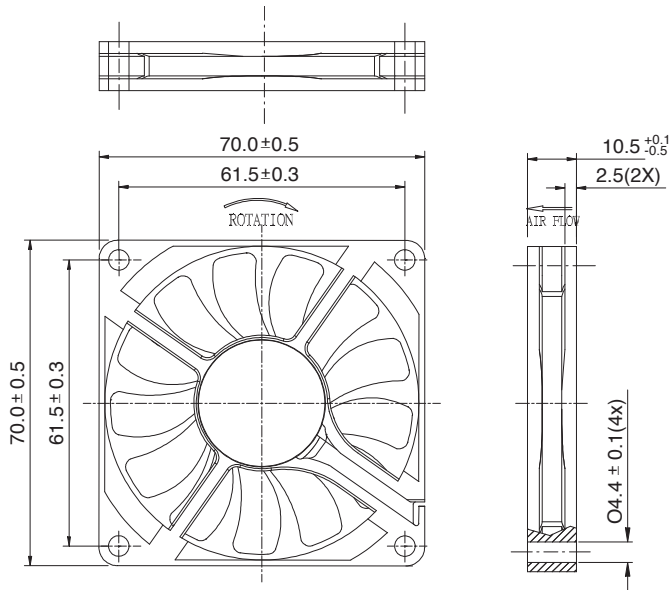
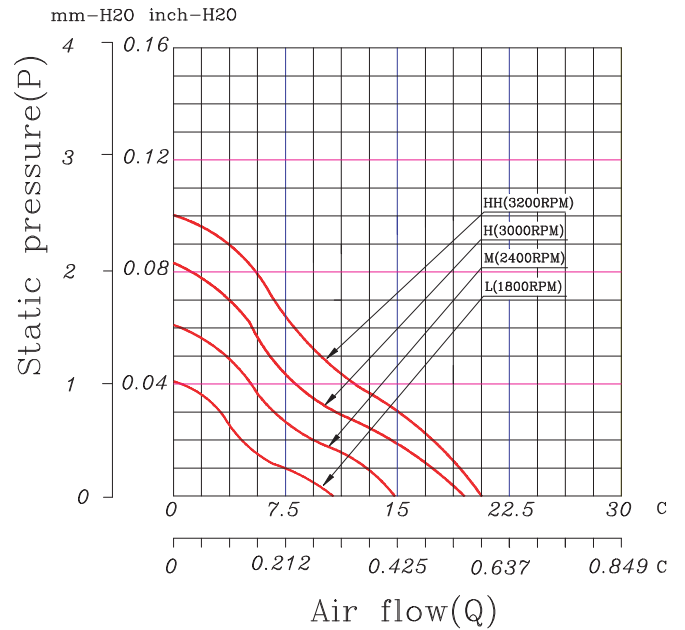


## Dimensions



## Performance Curves



Air exhaust over struts. Rotational direction CCW looking at rotor.

Brushless DC Motor	Bearing Type
Weight: 27.5g Impedance protected Lead wire UL 1007 AWG 24	Ceramic

\* All fans are with electronic protection against reverse polarity. The fan only operates when the polarity is correct.

Function Options	
<input type="checkbox"/> Frequency Generator	<input type="checkbox"/> Auto Restart
<input type="checkbox"/> Temperature Control	<input type="checkbox"/> Rotation Detection

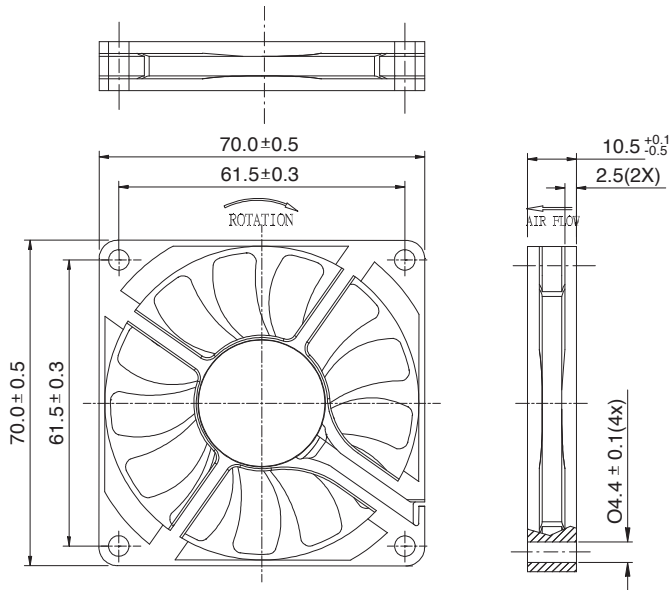
- \* Please contact us for PWM function availability.
- \* Please contact us for IP55 availability.
- \* Safety Approval: CE, UL, TUV

## Specifications

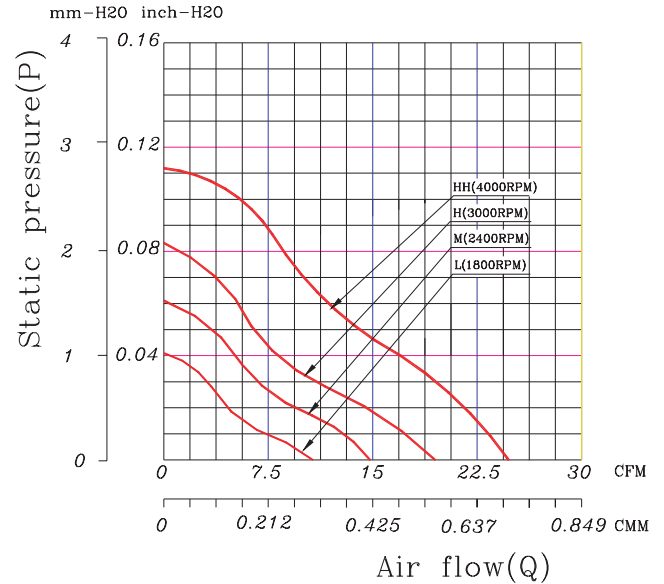
Model	Rated Voltage (VDC)	Rated Current (Amp)	Input Power (Watts)	Nominal Speed (RPM)	Airflow (CFM)	Static Pressure (inch -H2O)	Noise Level (dBA)
FAN7010C5HH	5	0.25	1.25	3200	20.45	0.10	33.80
FAN7010C5H	5	0.20	1.00	3000	19.42	0.08	31.40
FAN7010C5M	5	0.18	0.90	2400	14.83	0.06	26.50
FAN7010C5L	5	0.14	0.70	1800	10.59	0.04	20.20

- \* Specifications are subject to change without prior notice.
- \* Check with your distributor for models available.

## Dimensions



## Performance Curves



Air exhaust over struts. Rotational direction CCW looking at rotor.

Brushless DC Motor	Bearing Type
Weight: 27.5g Impedance protected Lead wire UL 1007 AWG 24	Ceramic

\* All fans are with electronic protection against reverse polarity. The fan only operates when the polarity is correct.

Function Options	
● Frequency Generator	● Auto Restart
● Temperature Control	● Rotation Detection

- \* Please contact us for PWM function availability.
- \* Please contact us for IP55 availability.
- \* Safety Approval: CE, UL, TUV

## Specifications

Model	Rated Voltage (VDC)	Rated Current (Amp)	Input Power (Watts)	Nominal Speed (RPM)	Airflow (CFM)	Static Pressure (inch -H2O)	Noise Level (dBA)
FAN7010C12HH	12	0.34	4.08	4000	24.75	0.11	33.80
FAN7010C12H	12	0.20	2.40	3000	18.53	0.08	31.40
FAN7010C12M	12	0.13	1.56	2400	14.83	0.06	26.50
FAN7010C12L	12	0.10	1.20	1800	10.59	0.04	20.20
FAN7010C24HH	24	0.18	4.32	4000	24.71	0.11	33.80
FAN7010C24H	24	0.11	2.64	3000	18.53	0.08	31.40
FAN7010C24M	24	0.09	2.16	2400	14.83	0.06	26.50
FAN7010C24L	24	0.07	1.68	1800	10.59	0.04	20.20

\* Specifications are subject to change without prior notice.

\* Check with your distributor for models available.