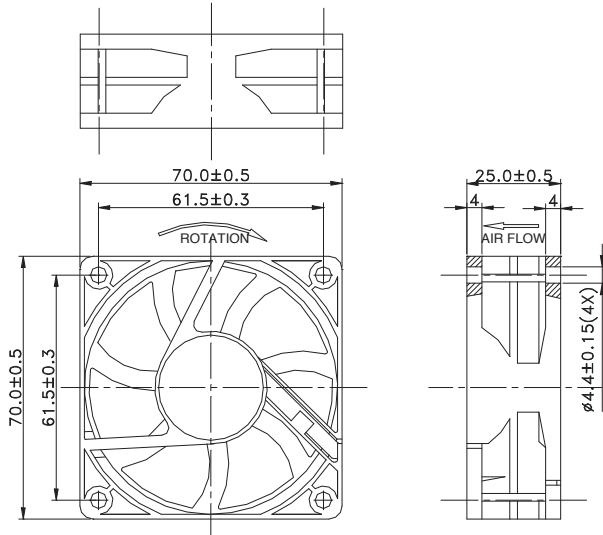
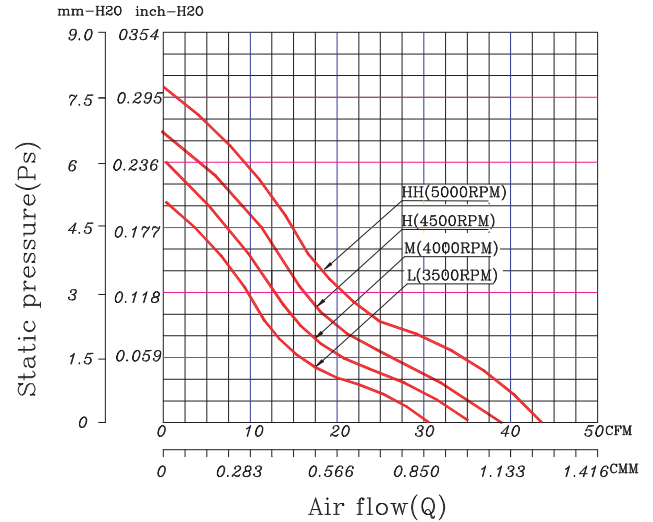


Dimensions



Performance Curves



Air exhaust over struts. Rotational direction CCW looking at rotor.

Brushless DC Motor	Bearing Type
Weight: 65g Impedance protected Lead wire UL 1007 AWG 24	Ceramic

* All fans are with electronic protection against reverse polarity. The fan only operates when the polarity is correct.

Function Options	
● Frequency Generator	● Auto Restart
● Temperature Control	● Rotation Detection

- * Please contact us for PWM function availability.
- * Please contact us for IP55 availability.
- * Safety Approval: CE, UL, TUV

Specifications

Model	Rated Voltage (VDC)	Rated Current (Amp)	Input Power (Watts)	Nominal Speed (RPM)	Airflow (CFM)	Static Pressure (inch -H2O)	Noise Level (dBA)
FAN7025C12HH	12	0.35	4.20	5000	43.78	0.30	41.00
FAN7025C12H	12	0.25	3.00	4500	39.40	0.27	39.00
FAN7025C12M	12	0.21	2.52	4000	36.00	0.24	36.00
FAN7025C12L	12	0.16	1.92	3500	30.60	0.21	33.00
FAN7025C24HH	24	0.21	5.04	5000	43.78	0.30	41.00
FAN7025C24H	24	0.17	4.08	4500	39.40	0.27	39.00
FAN7025C24M	24	0.14	3.36	4000	36.00	0.24	36.00
FAN7025C24L	24	0.10	2.40	3500	30.60	0.21	33.00

* Specifications are subject to change without prior notice.

* Check with your distributor for models available.