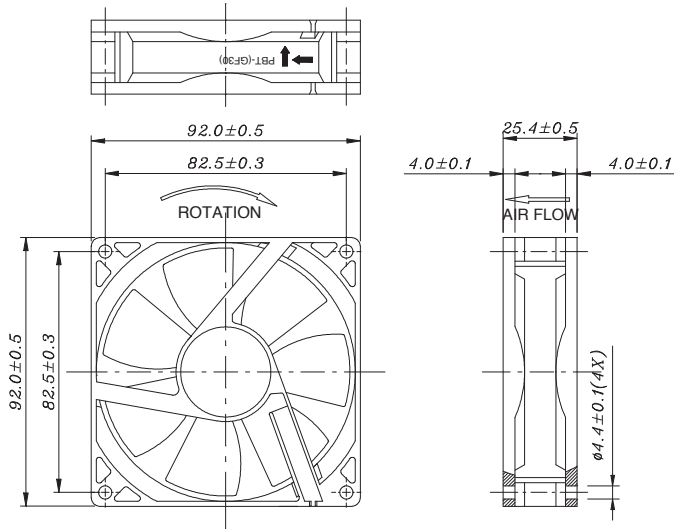
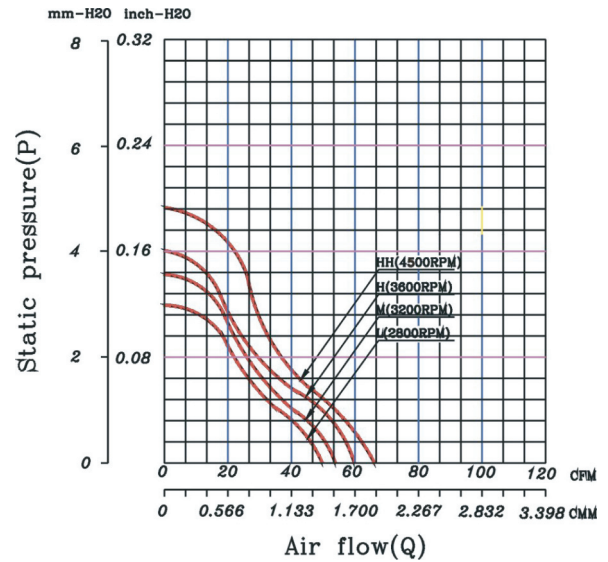


### Dimensions



### Performance Curves



Air exhaust over struts. Rotational direction CCW looking at rotor.

Brushless DC Motor	Bearing Type
Weight: 90g Impedance protected Lead wire UL 1007 AWG 24	Ceramic

\* All fans are with electronic protection against reverse polarity. The fan only operates when the polarity is correct.

Function Options	
<input type="checkbox"/> Frequency Generator	<input type="checkbox"/> Auto Restart
<input type="checkbox"/> Temperature Control	<input type="checkbox"/> Rotation Detection

- \* Please contact us for PWM function availability.
- \* Please contact us for IP55 availability.
- \* Safety Approval: CE, UL, TUV

### Specifications

Model	Rated Voltage (VDC)	Rated Current (Amp)	Input Power (Watts)	Nominal Speed (RPM)	Airflow (CFM)	Static Pressure (inch -H2O)	Noise Level (dBA)
FAN9225C12HH	12	0.48	5.76	4500	70.76	0.19	46.25
FAN9225C12H	12	0.36	4.32	3600	63.69	0.17	41.63
FAN9225C12M	12	0.22	2.64	3200	56.61	0.15	37.00
FAN9225C12L	12	1.19	2.28	2800	49.97	0.13	34.50
FAN9225C24HH	24	0.23	5.52	4500	70.76	0.19	46.25
FAN9225C24H	24	0.18	4.32	3600	63.69	0.17	41.63
FAN9225C24M	24	0.16	3.84	3200	56.61	0.15	37.00
FAN9225C24L	24	0.13	3.12	2800	49.97	0.13	34.50

\* Specifications are subject to change without prior notice.

\* Check with your distributor for models available.