

2.0 Megapixel WDR 20x Zoom Mini PTZ Dome

Model: CAM387

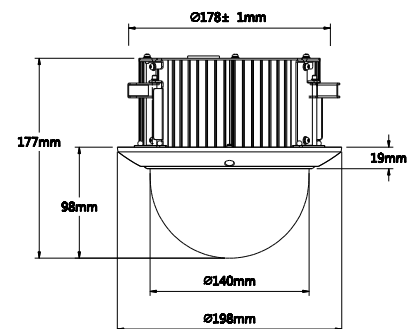


This recessed mount compact PTZ is ideal for in ceiling installation and offers professional features such as edge recording and alarm integration.

Camera Features

- Stream up to 2.0 megapixel (1920 x 1080) at 25fps
- 4.7 ~ 94.0mm 20x optical zoom lens, 56.1 ~ 3.1° viewing angles
- Day/night (auto ICR) with back/highlight compensation
- MicroSD card slot for at-the-edge recording, up to 128GB
- Endless 360° panning with 0° ~ 90° tilt adjust; auto-flip 180°
- Configure PTZ patterns, tours, auto-panning/scanning
- Audio and alarm interface input/output
- ONVIF, PSIA and CGI compliance
- IK10 vandal resistant housing for in ceiling use.

Model		CAM387
General		
Camera Style	Vandal Resistant Mini PTZ Dome	
Image Sensor	1/2.8" 2.0 Megapixel Progressive Scan CMOS	
Effective Pixels	1920 (H) x 1080 (V)	
Signal Noise Ratio	> 55dB	
Camera		
Lens	4.7 ~ 94.0mm F1.4 ~ F2.6 Motorised Lens	
Angle of View	56.1° (wide) ~ 3.1° (tele)	
Electronic Shutter	Auto / Manual (1/3 ~ 1/30000s)	
Minimum Illumination	0.05 Lux at F1.4 (Colour) / 0.005 Lux at F1.4 (B&W)	
Day/Night	Auto (ICR) / Colour / B&W	
White Balance	Auto / ATW / Indoor / Outdoor / Manual	
Noise Reduction	2D / 3D Ultra Digital Noise Reduction	
Gain Control	Auto / Manual	
Backlight Compensation	BLC / HLC / DWDR	
Audio Input	1 ch. Input / 1ch. Output	
Audio Compression	G.711a / G.711u / PCM	
Alarm Interface	2 ch. input / 1 ch. output	
Network Interface	RJ45 (10/100 Base-T)	
Memory Slot	MicroSD slot up to 128GB	
Bit Rate	H.264: 48K ~ 8192Kbps	
ONVIF Conformance	ONVIF, PSIA, CGI Compliant	
Smart Functions	Tripwire / Intrusion / Abandoned Object Detection / Missing Object Detection	
Video		
Video Compression	H.264 / MJPEG	
Resolution	Configurable from 2.0MP (1920 x 1080) to CIF (352 x 288)	
Frame Rate	Main	1080p and lower (1 ~ 25fps) / 720p (1 ~ 50fps)
	Sub	D1 and lower (1 ~ 25fps)
	Third	720p and lower (1 ~ 25fps)
Video Output	N/A	
PTZ		
Pan / Tilt Range	Pan: 0 ~ 360° (endless) / Tilt: -2 ~ 90° / Auto-flip 180°	
Preset Speed	Pan: 500°/s; Tilt: 500°/s	
Manual Speed	Pan: 0.1° ~ 350°/s; Tilt: 0.1° ~ 250°/s	
PTZ Mode	5 Pattern, 8 Tour, Auto Pan, Auto Scan	
Presets	Up to 300	
Speed Setup	Human oriented speed & focal length adaptation	
Start-up Action	Auto-restore to previous PTZ/lens status	
Environment		
Ingress Protection	N/A	
Vandal Resistant	IK10	
Maximum Infrared Range	N/A	
Power Input	24VAC / PoE+ (802.3at)	
Power Consumption	13W	
Dimensions	Ø198 x 177mm	
Weight	2.2kg	
Operating Environment	-20° to 60°C / RH90% (max)	
Product Dimensions		



Your local VIP Vision™ professional: