

2.0 Megapixel IP Mobile PTZ IP Camera

Model: VSIP2MPPTZIRM



Purpose built to be integrated into large vehicles such as earth moving equipment, the mobility of the VIP Vision Mobile PTZ offers a truly versatile vehicle surveillance experience.

Camera Features

- Stream up to 2.0 megapixel (1920 x 1080) at 25fps
- 5.5 ~ 110mm 20x optical zoom lens with 51 ~ 2.6° viewing angles
- Versatile power supply: compatible with 8 ~ 36VDC vehicles
- Features up to 150m maximum infrared distance & lens wiper
- Day/night (auto ICR) with back/highlight compensation
- Durable, IP66 rated all-metal aluminium alloy construction
- Endless 360° panning with ultra-versatile -90 ~ 90° tilt adjust
- Configure PTZ patterns, tours and auto-scanning
- 6000V anti-lightning surge protection
- ONVIF profile S compliant

Compatible Products

Compatible items sold separately.

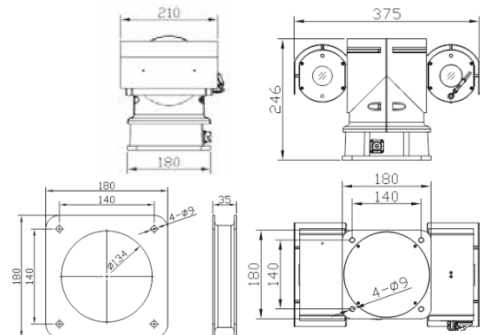


MNVR-GPS



VSWAN4G

Model		VSIP2MPPTZIRM
General		
Camera Style	Weather Resistant Mobile Positioning System	
Image Sensor	1/2.8" 2.0 Megapixel Progressive Scan Exmor CMOS	
Effective Pixels	1944 (H) x 1092 (V)	
Signal Noise Ratio	> 50dB	
Camera		
Lens	5.5 ~ 110mm F1.6 ~ F3.5 Motorised Lens	
Angle of View	51° (wide) ~ 2.6° (tele)	
Electronic Shutter	Auto / Manual (1/1 ~ 1/30000s)	
Minimum Illumination	0.05 Lux at F1.6 (Colour) / 0.005 Lux at F1.6 (B&W)	
Day/Night	Auto (ICR) / Colour / B&W	
White Balance	Auto / Manual / ATW / Indoor / Outdoor	
Noise Reduction	2D / 3D Digital Noise Reduction	
Gain Control	Auto / Manual	
Backlight Compensation	BLC / HLC / DWDR	
Audio Input	N/A	
Audio Compression	N/A	
Alarm Interface	N/A	
Network Interface	RJ45 (10/100 Base-T)	
Memory Slot	N/A	
Bit Rate	H.264: 56K ~ 8192Kbps	
ONVIF Conformance	Profile S Compliant	
Smart Functions	N/A	
Video		
Video Compression	H.264 / MJPEG	
Resolution	Configurable from 2.0MP (1920 x 1080) to CIF (352 x 288)	
Frame Rate	Main	1080p and lower (1 ~ 25fps)
	Sub	D1 and lower (1 ~ 25fps)
	Third	N/A
Video Output	N/A	
PTZ		
Pan / Tilt Range	Pan: 0 ~ 360° (endless) / Tilt: -90 ~ 90°	
Preset Speed	Pan: 60°/s; Tilt: 30°/s	
Manual Speed	Pan: 60°/s; Tilt: 30°/s	
PTZ Mode	4 Pattern, 4 Tour, Auto Scan	
Presets	Up to 256	
Speed Setup	Human oriented speed & focal length adaptation	
Start-up Action	Auto-restore to previous PTZ/lens status	
Environment		
Ingress Protection	IP66	
Vandal Resistant	N/A	
Maximum Infrared Range	150m	
Power Input	8 ~ 36VDC	
Power Consumption	< 60W	
Dimensions	375 x 246 x 210mm	
Weight	8.50kg	
Operating Environment	-30°C to 65°C / RH90% (max)	
Product Dimensions		



Your local VIP Vision™ professional:

Full HD Mobile IP Surveillance in Action

Features VSIP2MPPTZIRM mobile PTZ camera , MNVR-GPS mobile network video recorder with GPS and the VSWAN4G 3G/4G WiFi router.



Ultra-versatile full 360° rotation & -90 ~ 90° tilt adjust



Lens wiper and internal camera heater for defog



Long range infrared LEDs for up to 150m night vision



Vibration resistant, heavy duty aviation connection



Your local VIP Vision™ professional: