

# IP65/IK07 Flush Mount Residential Intercom Door Station

Model: INTIPRDSVW



Specifications - Door Station		
System	Main Processor	Embedded Microprocessor
	Operating System	Embedded Linux OS
Camera	Image Sensor	1.0 Megapixel CMOS
	Video Compression	H.264
Audio	Audio Input	Omni-directional Microphone
	Audio Output	Built-in Loudspeaker
	Bidirectional Talk Support	Yes
Design	Backlit Interface	No
	Operational Input	Single Hard Button
	Card Support	N/A
	Tamper Detection	Yes
Storage	Vandal Resistant	IK07
	Memory Capacity	128MB
Network	Ethernet	10M/100Mbps Self-adaptive
	Network Protocol	TCP/IP
General	Ingress Protection	IP65
	Operating Temperature	-30 ~ +70°C
	Power Input	15VDC
	Power Consumption	Standby <1W / Operation <10
	Dimensions	140 x 130 x 132mm
Weight	0.80kg	

## Product Highlights

- 1.0 megapixel day/night door station camera
- Surface mounted stainless steel housing
- Durable construction: IP65 & IK07 rated

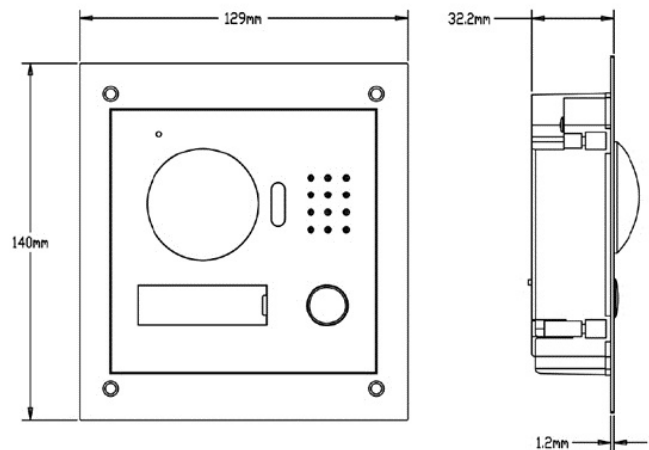
## Product Overview

The INTIPRDSVW is a single channel video intercom solution ideal for homes and single-premises buildings. This compact unit features a vandal resistant stainless steel front pane and a 1.0 megapixel camera that operates in low light conditions.

The intercom is very simple to operate with a single button that controls calling and voice prompting/confirmation for ease of use. It also features door sensor and door strike integration, remote unlock via smartphone and visitor audio/video messaging functions.

This door station is IP65 weather resistant and IK07 vandal resistant and features a weather shield for protection from constant exposure to the elements. It is well equipped for detached residential intercom applications.

## Product Diagram



Your VIP Vision intercoms dealer: