

Adapter/Junction Box for Surveillance Cameras

Model: VSBKTA123

Technical Specifications

Aluminium adapter/junction box used as a spacer or as connector for corner & pole mounts.

Model: VSBKTA123	
Materials	Aluminium
Dimensions	134 x 134 x 51mm
Pipe Thread	N/A
Operating Conditions	-40° ~ 60°C / 90% RH (max)
Load Bearing Capacity	3.0kg
Weight	0.60kg

Product specifications and bracket compatibility are subject to change.



Bracket Compatibility

This bracket is compatible with the following cameras from VIP Vision and/or Securview Victory Series.



VIP Vision™ IP Surveillance Cameras

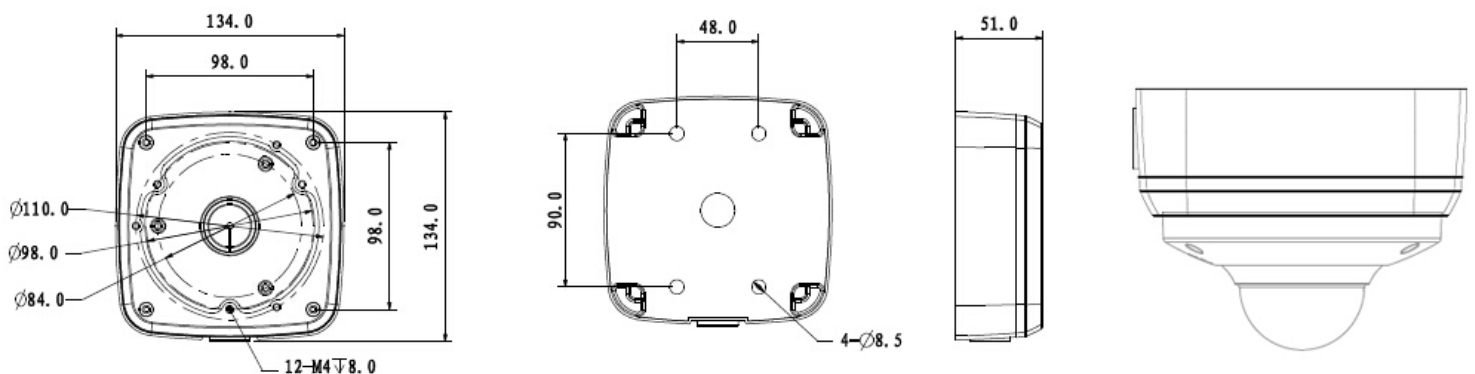
As junction box or as adapter for corner & pole mount brackets. Compatible models: VSIP1MPVDIRM, VSIP3MPVDIRM2.8-12.



Securview Victory Series™ HD Over Coax Cameras

As junction box or as adapter for corner & pole mount brackets. Compatible models: VSCV11/2MPVDIRM.

Product Diagram



Your professional CCTV surveillance dealer: