

# Triple Clamp Pole Mount Camera Bracket

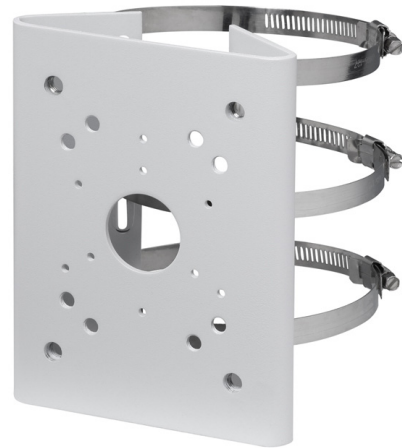
Model: MB1025

## Technical Specifications

Heavy duty coated SECC pole mount bracket for large surveillance cameras with three clamps.

Model: MB1025	
Materials	SECC
Dimensions	130 x 170 x 45mm
Pipe Thread	N/A
Operating Conditions	-40° ~ 60°C / 90% RH (max)
Load Bearing Capacity	10.0kg
Weight	1.00kg

Product specifications and bracket compatibility are subject to change.



## Bracket Compatibility

This bracket is compatible with the following cameras from VIP Vision and/or Securview Victory Series.



### VIP Vision™ IP Surveillance Cameras

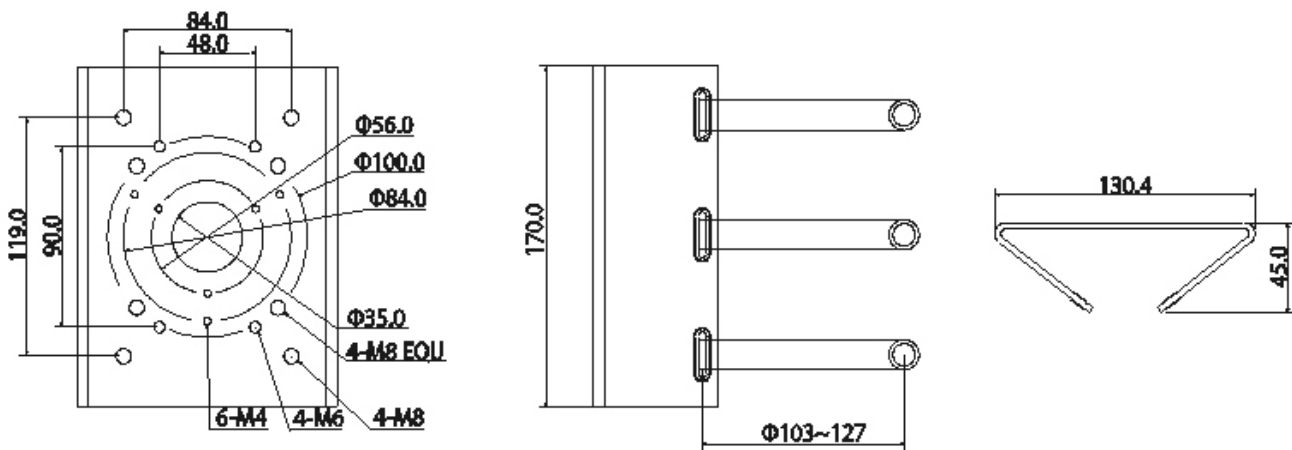
Directly compatible with CAM372, CAM364. Compatible with CAM373, CAM375 via included wall mount brackets.



### Securview Victory Series™ HD Over Coax Cameras

No compatible models.

## Product Diagram



Your professional CCTV surveillance dealer:



**WES AUSTRALASIA**

**Ph:** (02) 9797 9866 **Fax:** (02) 9716 6015

**Address:** 138 Liverpool Rd, Ashfield, 2131

**Email:** sales@wes.net.au