

# Dual Clamp Pole Mount Camera Bracket

Model: MB1027

## Technical Specifications

Heavy duty coated aluminium pole mount bracket for surveillance cameras with two clamps.

Model: MB1027	
Materials	Aluminium
Dimensions	118 x 87 x 21mm
Pipe Thread	N/A
Operating Conditions	-40° ~ 60°C / 90% RH (max)
Load Bearing Capacity	3.0kg
Weight	0.20kg

Product specifications and bracket compatibility are subject to change.



## Bracket Compatibility

This bracket is compatible with the following cameras from VIP Vision and/or Securview Victory Series.



### VIP Vision™ IP Surveillance Cameras

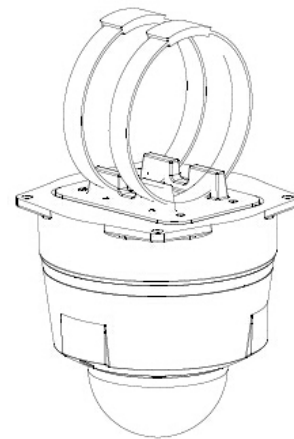
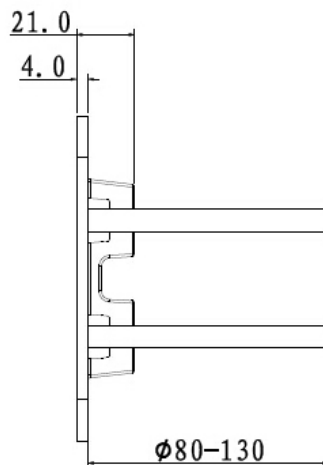
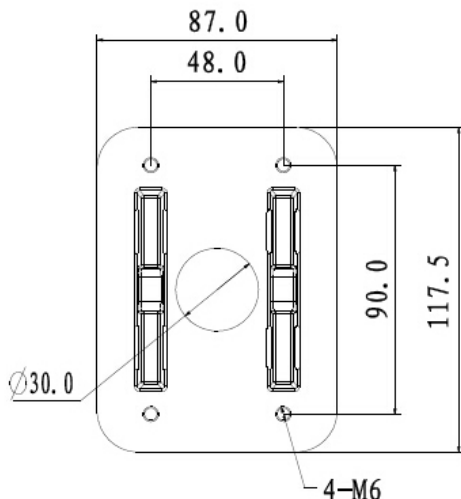
Requires adapter/junction box for compatibility (all models that use MB1020/1021/1022/1023/1033).



### Securview Victory Series™ HD Over Coax Cameras

Requires adapter/junction box for compatibility (all models that use MB1020/1021/1022/1023/1033).

## Product Diagram



Your professional CCTV surveillance dealer:



**WES AUSTRALASIA**

**Ph:** (02) 9797 9866 **Fax:** (02) 9716 6015

**Address:** 138 Liverpool Rd, Ashfield, 2131

**Email:** sales@wes.net.au