

Ceiling Mount Camera Bracket

Model: VSBKTB300C

Technical Specifications

Straight pendant mount bracket for surveillance cameras. Screw-on extenders also available.

Model: VSBKTB300C	
Materials	Aluminium / PC
Dimensions	Ø133 x 235mm
Pipe Thread	1½" PF
Operating Conditions	-40° ~ 60°C / 90% RH (max)
Load Bearing Capacity	7.0kg
Weight	0.75kg

Product specifications and bracket compatibility are subject to change.



Bracket Compatibility

This bracket is compatible with the following cameras from VIP Vision and/or Securview Victory Series.



VIP Vision™ IP Surveillance Cameras

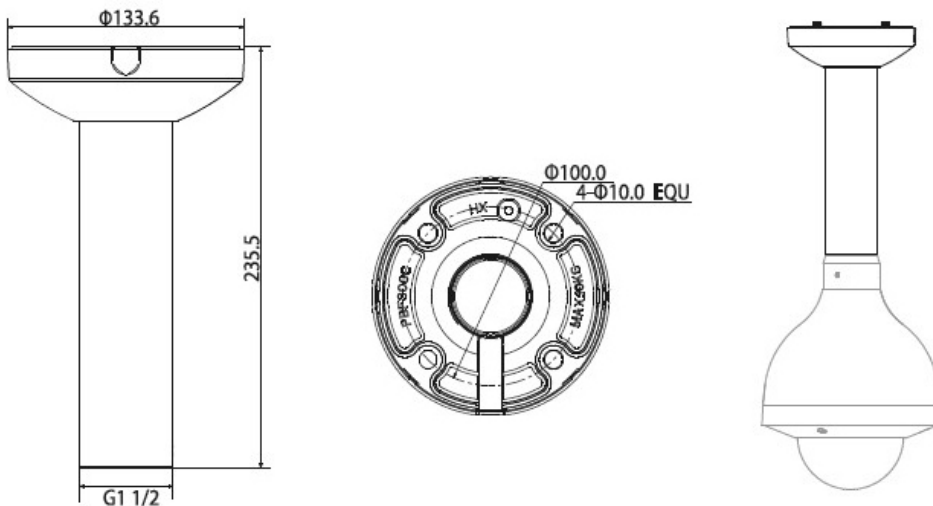
VSIP3/5MPVDIR/V2/M (requires VSBKTA100 adapter),
VSIP1MPPTZIR, VSIP3MPPTZIR.



Securview Victory Series™ HD Over Coax Cameras

VSCV11/2MPPTZIR only. Requires VSBKTA114 adapter for connection.

Product Diagram



Your professional CCTV surveillance dealer: