

# 420mm Extender for Ceiling Mount Bracket

Model: MB1030

## Technical Specifications

Powder coated aluminium extender for ceiling mount brackets for surveillance cameras.

Model: MB1030	
Materials	Aluminium
Dimensions	Ø53 x 420mm
Pipe Thread	1½" PF
Operating Conditions	-40° ~ 60°C / 90% RH (max)
Load Bearing Capacity	N/A
Weight	1.00kg

Product specifications and bracket compatibility are subject to change.



## Bracket Compatibility

This bracket is compatible with the following cameras from VIP Vision and/or Securview Victory Series.



### VIP Vision™ IP Surveillance Cameras

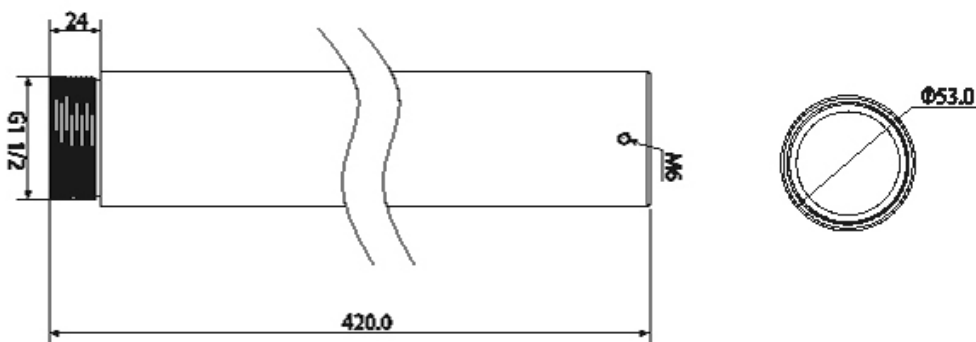
Extender compatible only with MB1028.



### Securview Victory Series™ HD Over Coax Cameras

Extender compatible only with MB1028.

## Product Diagram



Your professional CCTV surveillance dealer:



**WES AUSTRALASIA**

**Ph:** (02) 9797 9866 **Fax:** (02) 9716 6015

**Address:** 138 Liverpool Rd, Ashfield, 2131

**Email:** sales@wes.net.au