

Ceiling/Wall Mount Adapter for PTZ Cameras

Model: MB102

Technical Specifications

Hanging aluminium connector for PTZ surveillance cameras and ceiling/wall mount brackets.

Model: MB102	
Materials	Aluminium
Dimensions	Ø60 x 50mm
Pipe Thread	1½" PF
Operating Conditions	-40° ~ 60°C / 90% RH (max)
Load Bearing Capacity	N/A
Weight	0.25kg

Product specifications and bracket compatibility are subject to change.



Bracket Compatibility

This bracket is compatible with the following cameras from VIP Vision and/or Securview Victory Series.



VIP Vision™ IP Surveillance Cameras

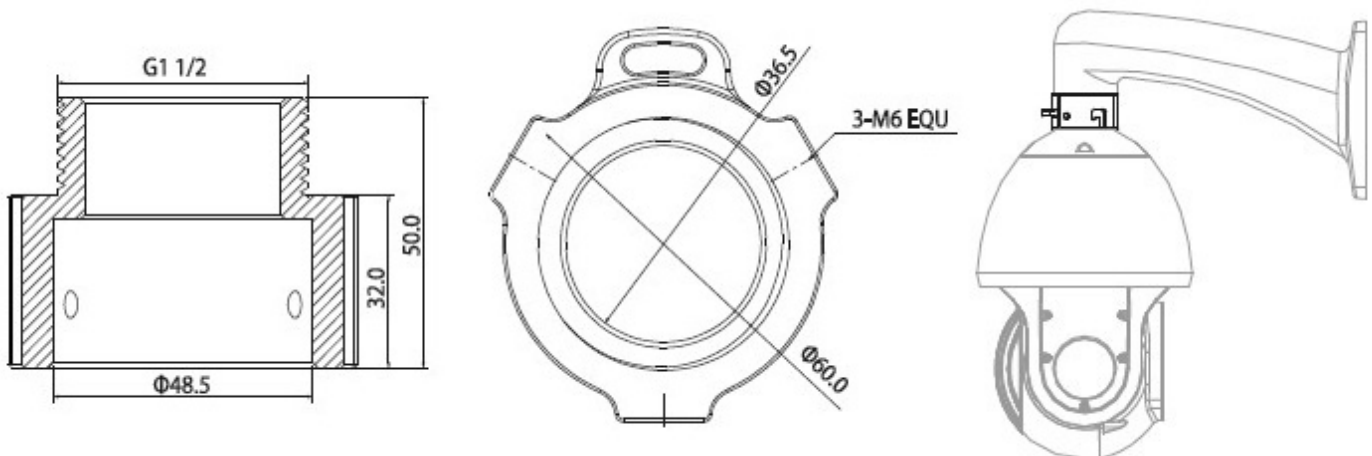
Adapter comes standard with CAM375.



Securview Victory Series™ HD Over Coax Cameras

CAM606, CAM607. Essential for ceiling mount bracket use (MB1028). Not required with standard wall mount bracket.

Product Diagram



Your professional CCTV surveillance dealer:



WES AUSTRALASIA

Ph: (02) 9797 9866 **Fax:** (02) 9716 6015

Address: 138 Liverpool Rd, Ashfield, 2131

Email: sales@wes.net.au